

## 1. Features

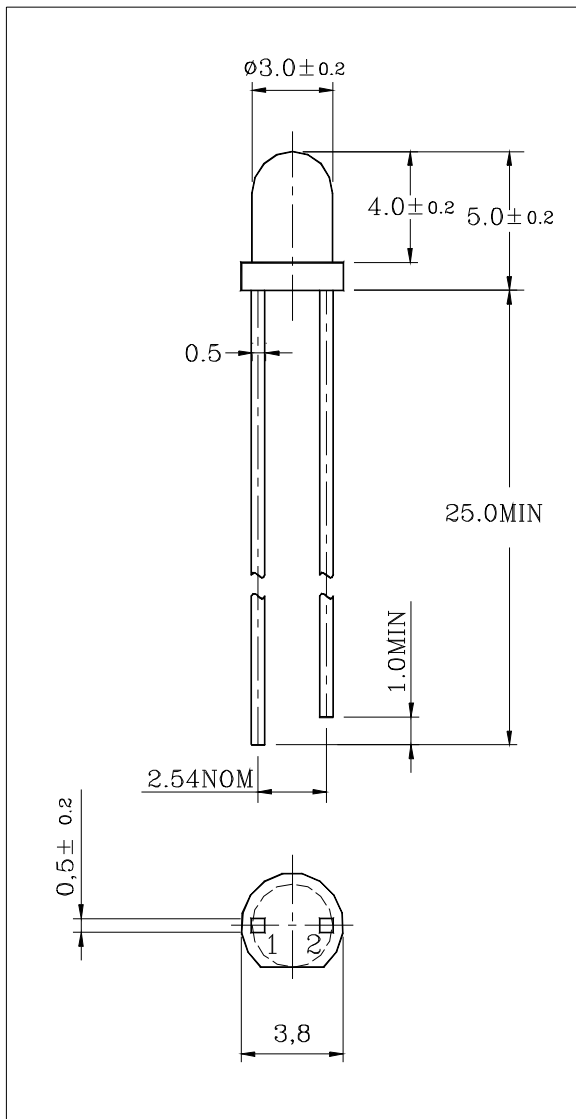
- ▶ Very highly efficient GaAIAs Chip.
- ▶ High reliability.
- ▶ High pulse handling capability.
- ▶ Good spectral match to silicon photo detectors.

## 2. Applications

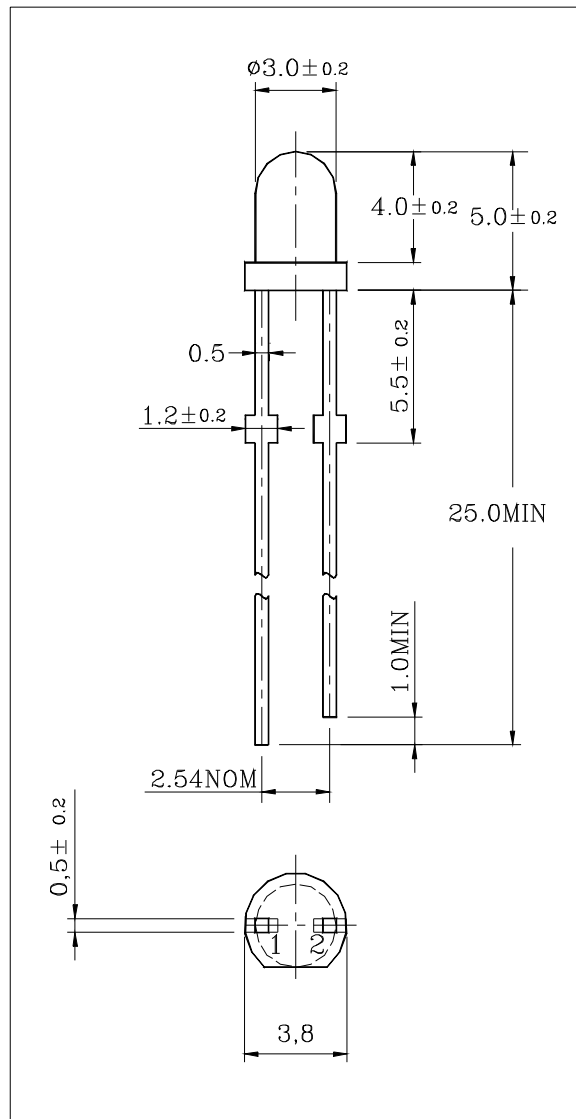
- ▶ IR remote control for HIFI and TV sets, video tape recorders, dimmers.
- ▶ Light-reflection switches(max.500kHz).
- ▶ Coin counters. Sensor technology.
- ▶ Discrete opto couplers.

## 3. Package Dimensions

Unit : mm



W85I3311-C



W85I3311-C(B)

PIN Connections

1. Anode
2. Cathode



## 6.Characteristic Diagrams

# W85I3311-C

Fig.1  $I_F - V_F$

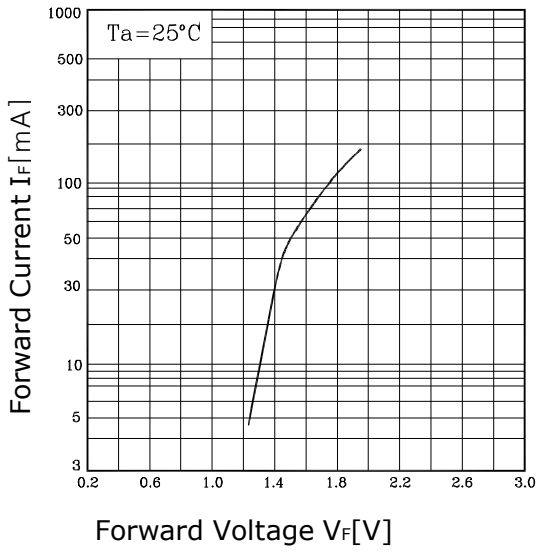


Fig.2  $I_F - T_a$

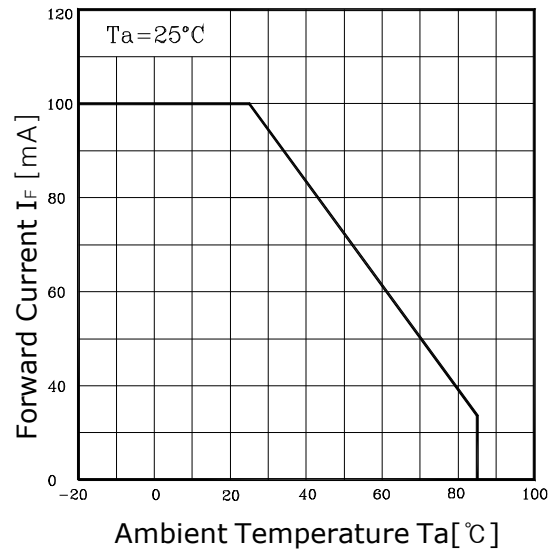


Fig.3 Spectrum Distribution

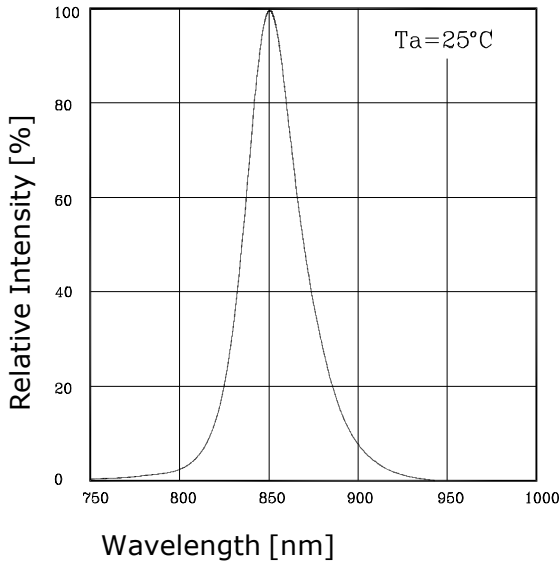


Fig.4  $I_E - I_F$

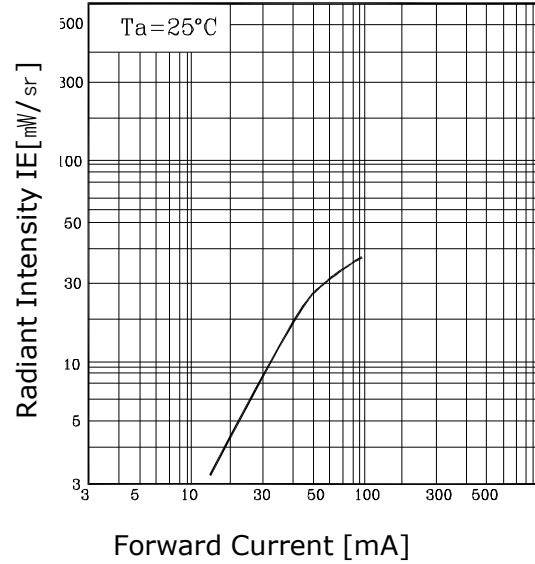
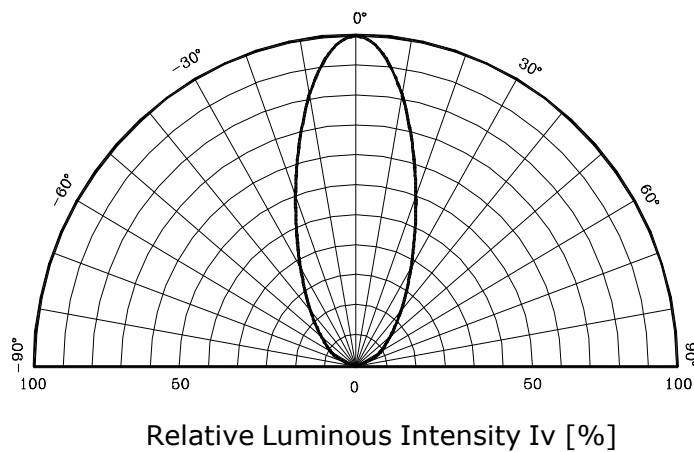
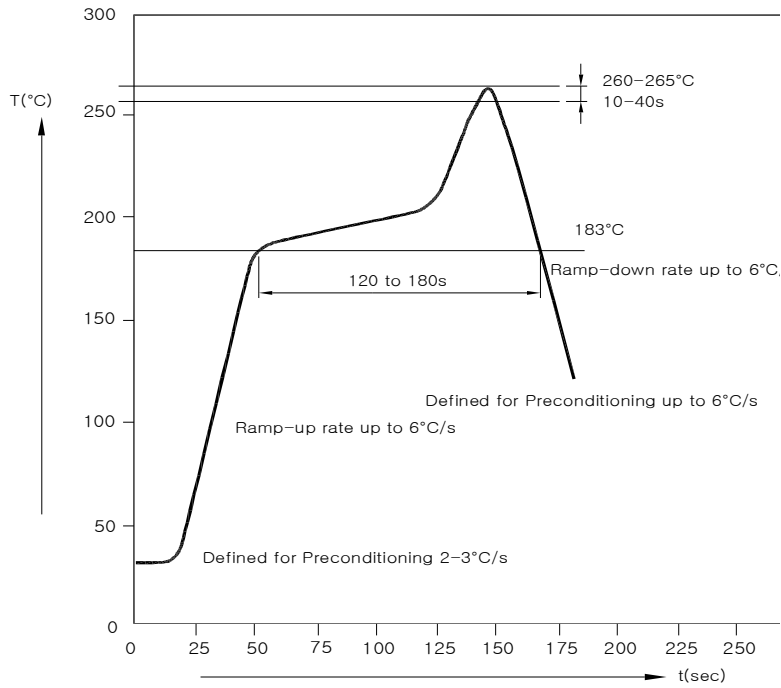


Fig.5 Radiation Characteristics



### 7-1. Reflow Soldering



### 7-2. TTW Soldering

