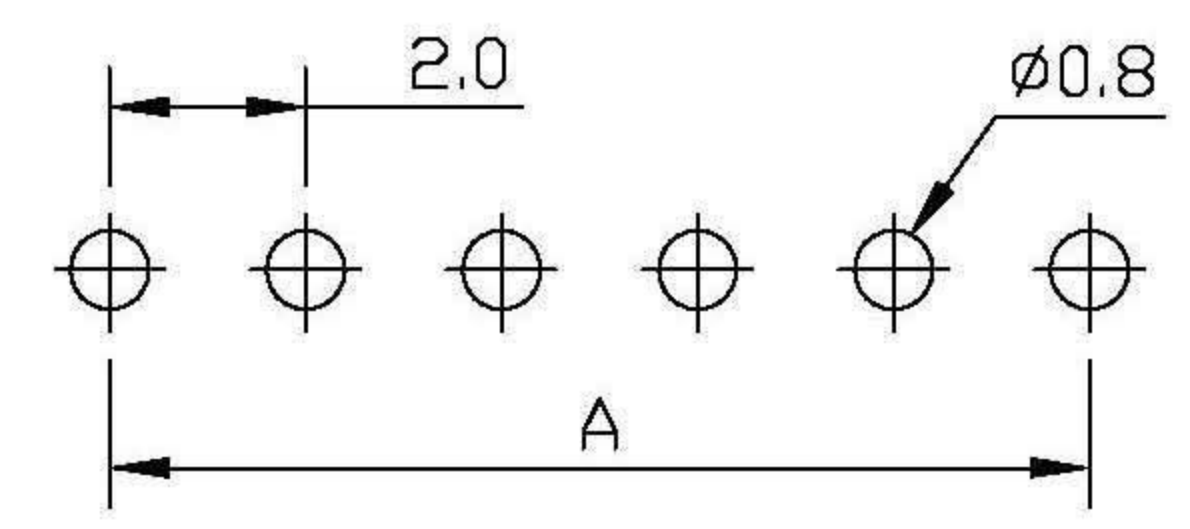
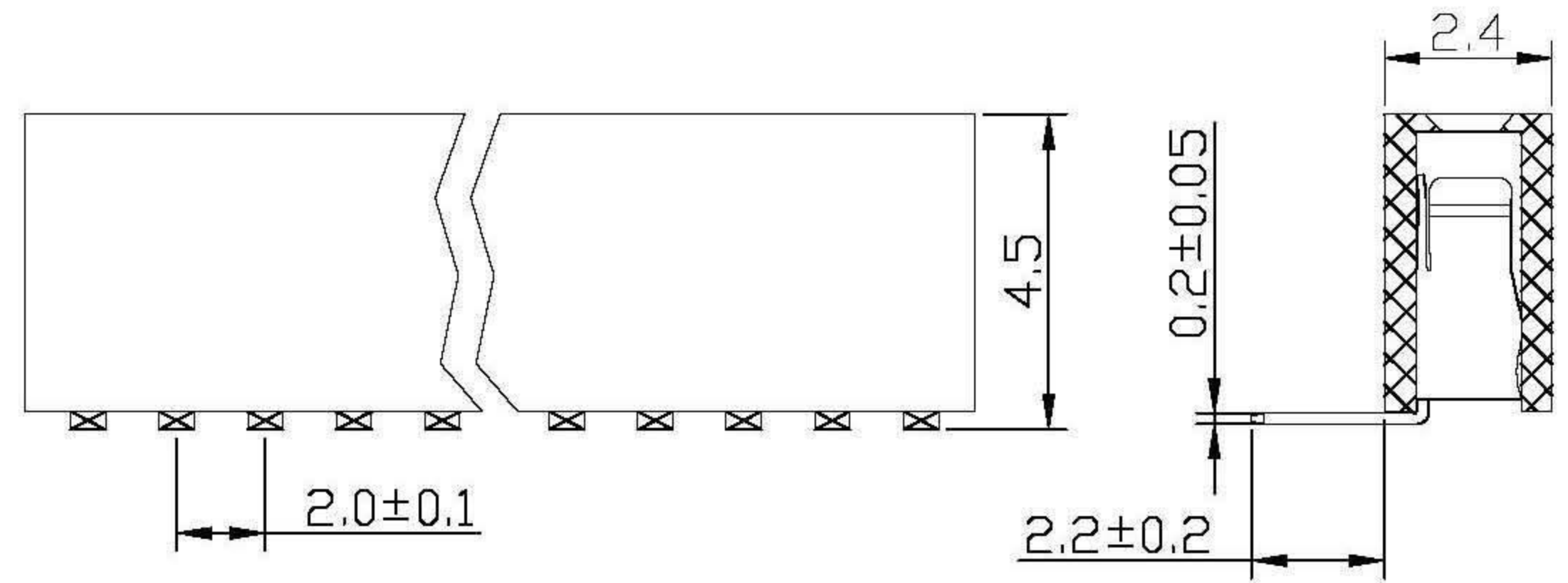
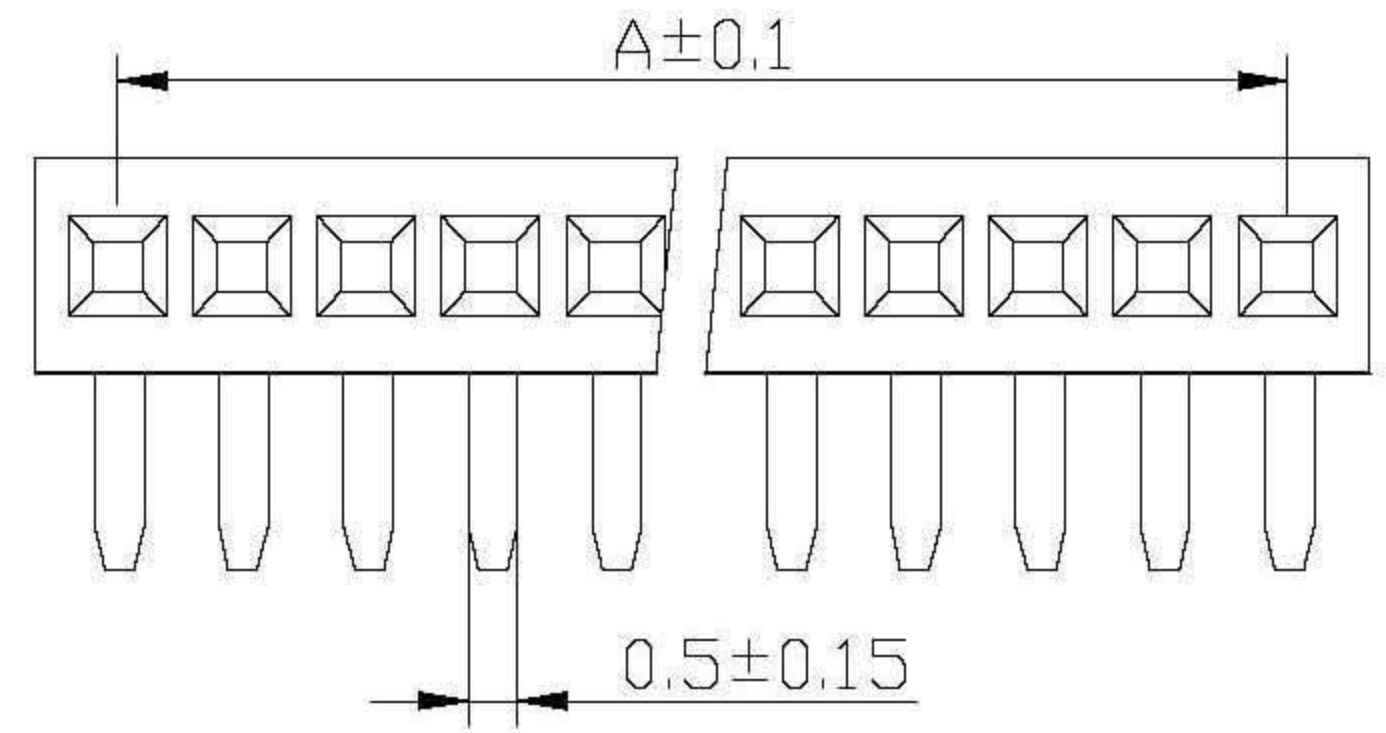


No. of Contacts	DIMENSIONS	
	A	B
2	2.00	4.50
3	4.00	6.50
4	6.00	8.50
5	8.00	10.50
6	10.00	12.50
7	12.00	14.50
8	14.00	16.50
9	16.00	18.50
10	18.00	20.50
11	20.00	22.50
12	22.00	24.50
13	24.00	26.50
14	26.00	28.50
15	28.00	30.50
16	30.00	32.50
17	32.00	34.50
18	34.00	36.50
19	36.00	38.50
20	38.00	40.50
21	40.00	42.50
22	42.00	44.50
23	44.00	46.50
24	46.00	48.50
25	48.00	50.50
26	50.00	52.50
27	52.00	54.50
28	54.00	56.50
29	56.00	58.50
30	58.00	60.50
31	60.00	62.50
32	62.00	64.50
33	64.00	66.50
34	66.00	68.50
35	68.00	70.50
36	70.00	72.50
37	72.00	74.50
38	74.00	76.50
39	76.00	78.50
40	78.00	80.50



### SPECIFICATIONS

Current Rating: 1.5Amps  
 Insulation Resistance: 1000MΩ Min  
 Contact Resistance: 20mΩ Max  
 Withstanding Voltage: AC 1000V  
 Operation Temperature: -40° to +105°  
 Contact Material: Brass  
 Insulator Material: Polyester (UL 94V-0)  
 Standard: PA46  
 Max. Processing Temp:  
 240° C for 30-60 seconds  
 (260° C for 10 seconds)

### PCB LAYOUT

检验以此为准

UNLESS OTHERWISE SPECIFIED TOLERANCE			
x.	±0.3	x.'	±5'
x.x	±0.2	x.x'	±1'
x.xx	±0.1	x.xx'	±0.5'
SCALE		UNIT	
		mm	
DRAWN		18/01/08	DRAWN NAME
李北林			
CHECKED			2.0 Female Hemale
APPROVED		/ /	
		PRODUCT NO.	
		FILE NAME:	
		SIZE	REV
		A4	A

2.0PF 1\*NPin H4.3 90°