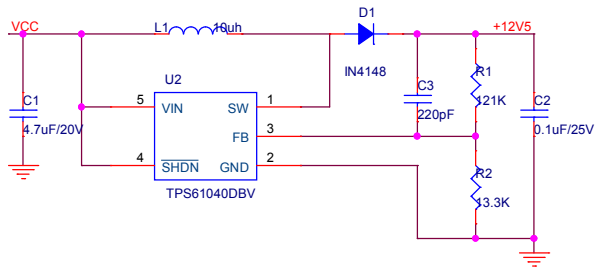


Specification Sheet

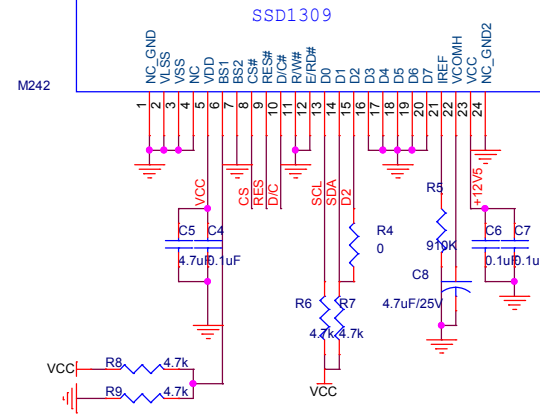
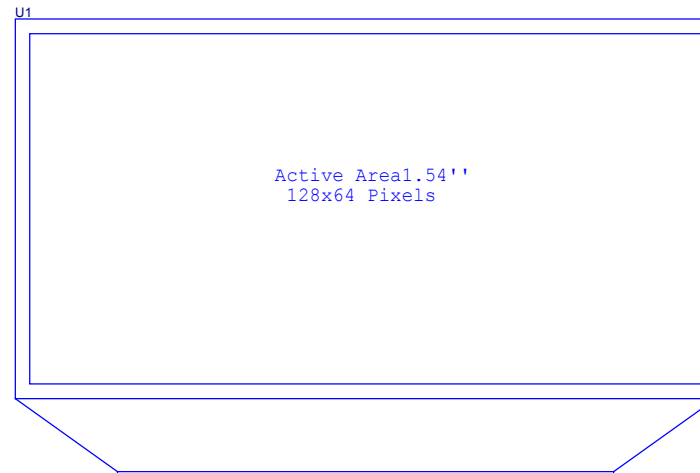
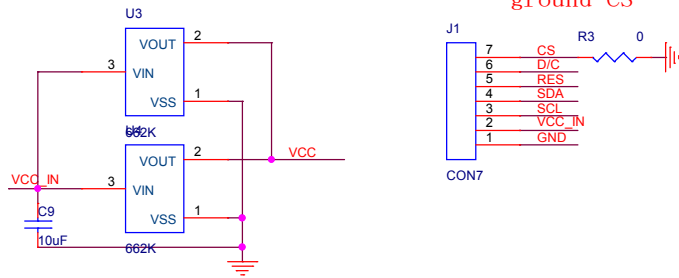
Model No. : ZJY064

Description : 1.54inch OLED Screen resolution 128*64
Size:42.4*38mm Driver Chip SPD0301 interface SPI/IIC 7Pin
Voltage 3.3-5V Font Color Option White/Blue /Yellow ZJY064

1.54'' 128*64 OLED Module schematic



R3 is not soldered by default; if you do not want to use CS pin; you need to solder R3 to ground CS



IIC R8,R4 welding
4-WIRE SPI R9