

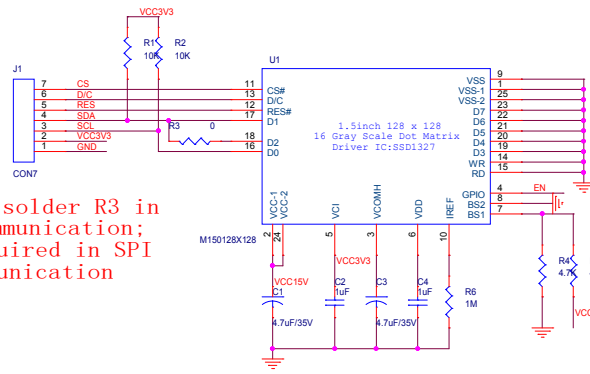
Specification Sheet

Model No. : ZJY060

Description : 1.32inch OLED Screen resolution 128*96
Size:33*40mm Driver Chip SSD1327 interface SPI/IIC 7Pin
Voltage 3.3V Font Color Option White ZJY060

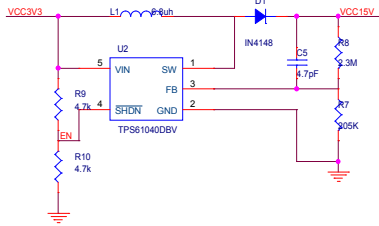
1.32"128x96 OLED display module schematic communication interface for SPI / IIC default shipping form for SPI interface

Interface type: SPI/IIC interface (default SPI)



Need to solder R3 in IIC communication; not required in SPI communication

SPI/IIC configuration:
 SPI: R4 soldering,
 R5, R3 floating IIC:
 R5, R3 soldering, R4 floating



When EN is low, the boost circuit can be turned off. The default R10 is not soldered.