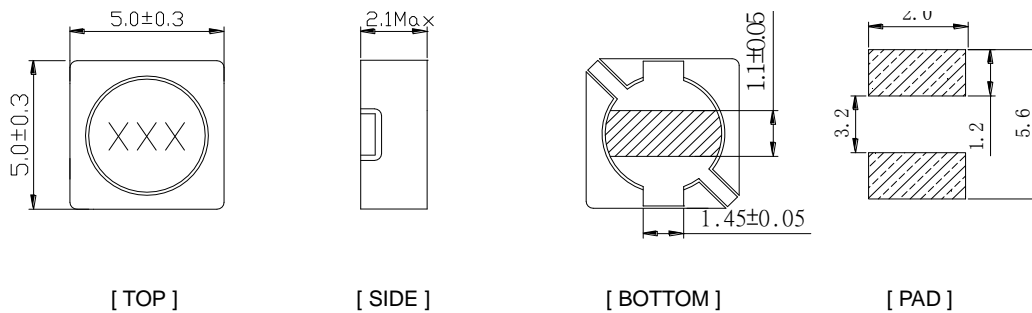


YC52RT



Test Frequency	100KHz/250mV (HP-4284A)
Inductance	0.47uH~100uH
DC Resistance	29mΩ~1.35Ω Max (CH-16502)
Packing Quantity	2,000pcs/reel, 30,000pcs/carton
Dimensions	5.0 x 5.0 x 2.1 mm



Part No.	Inductance L (uH)	Test Freq. (KHz)	DC Resistance (Ω) Max	DC Superimposition Current (A) Max	Temperature Rise Current (A) Max
YC52RT-R47N	0.47	100	0.029	6.5	4.8
YC52RT-R82N	0.82	100	0.055	4.5	4.7
YC52RT-1R0M	1.0	100	0.060	4.2	4.5
YC52RT-1R5M	1.5	100	0.061	3.5	3.6
YC52RT-2R2M	2.2	100	0.062	3.1	3.4
YC52RT-3R3M	3.3	100	0.077	2.6	2.9
YC52RT-4R7M	4.7	100	0.099	2.2	2.4
YC52RT-5R6M	5.6	100	0.104	2.0	2.3
YC52RT-6R2M	6.2	100	0.121	1.9	2.1
YC52RT-6R8M	6.8	100	0.125	1.8	2.1
YC52RT-100M	10	100	0.165	1.4	2.0
YC52RT-150M	15	100	0.255	1.1	1.3
YC52RT-220M	22	100	0.346	1.0	1.1
YC52RT-330M	33	100	0.491	0.85	1.0
YC52RT-470M	47	100	0.662	0.67	0.97
YC52RT-680M	68	100	1.089	0.50	0.75
YC52RT-101M	100	100	1.350	0.48	0.67

* Inductance Tolerance : J $\pm 5\%$, K $\pm 10\%$, M $\pm 20\%$, N $\pm 30\%$

The inductance range 0.47~0.82uH tolerance are 30%, 1.0~100uH tolerance are 20%,

DC Superimposition Current : DC current base upon 30% inductance reduction from the initial value

Temperature Rise Current : DC current based upon 35°C temperature rise