

YC43T



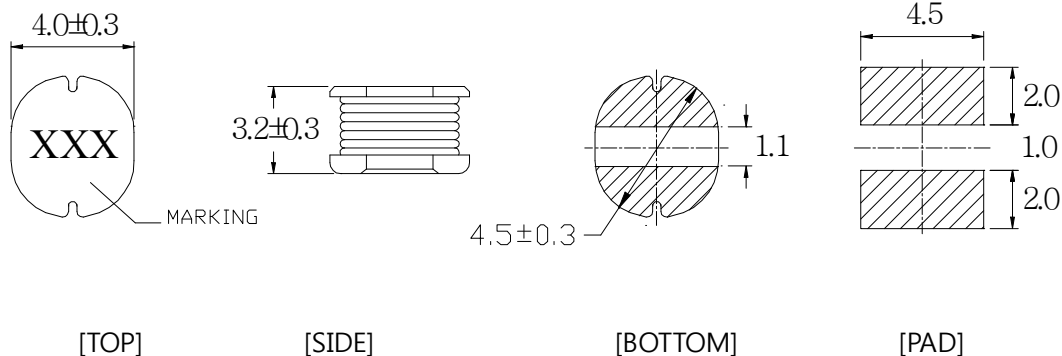
4.0 x 4.5 x 3.2 mm

Test Frequency : 100KHz/250mV (CH-1061)

Inductance : 1.0uH~220uH

DC Resistance : 48.7mΩ~4.0Ω Max (CH-502A)

Packing Quantity : 2000pcs/reel, 30000pcs/ carton



Part No.	Inductance L (uH)	Test Freq. (kHz)	DC Resistance (Ω)Max	Rated DC Current (A)Max
YC43T *1R0M	1.0	100	0.0487	2.56
YC43T *2R2M	2.2	100	0.0712	1.75
YC43T *3R3M	3.3	100	0.0862	1.44
YC43T *4R7M	4.7	100	0.0940	1.3
YC43T *6R8M	6.8	100	0.1312	1.18
YC43T *100M	10	100	0.182	1.04
YC43T *150M	15	100	0.235	0.85
YC43T *220M	22	100	0.378	0.68
YC43T *330M	33	100	0.540	0.56
YC43T *470M	47	100	0.844	0.44
YC43T *680M	68	100	1.117	0.37
YC43T *820M	82	100	1.18	0.3
YC43T *101M	100	100	1.50	0.27
YC43T *151M	150	100	2.50	0.21
YC43T *221M	220	100	4.00	0.18

* Inductance Tolerance : J ±5% , K ±10% , M ±20% , N ±30%