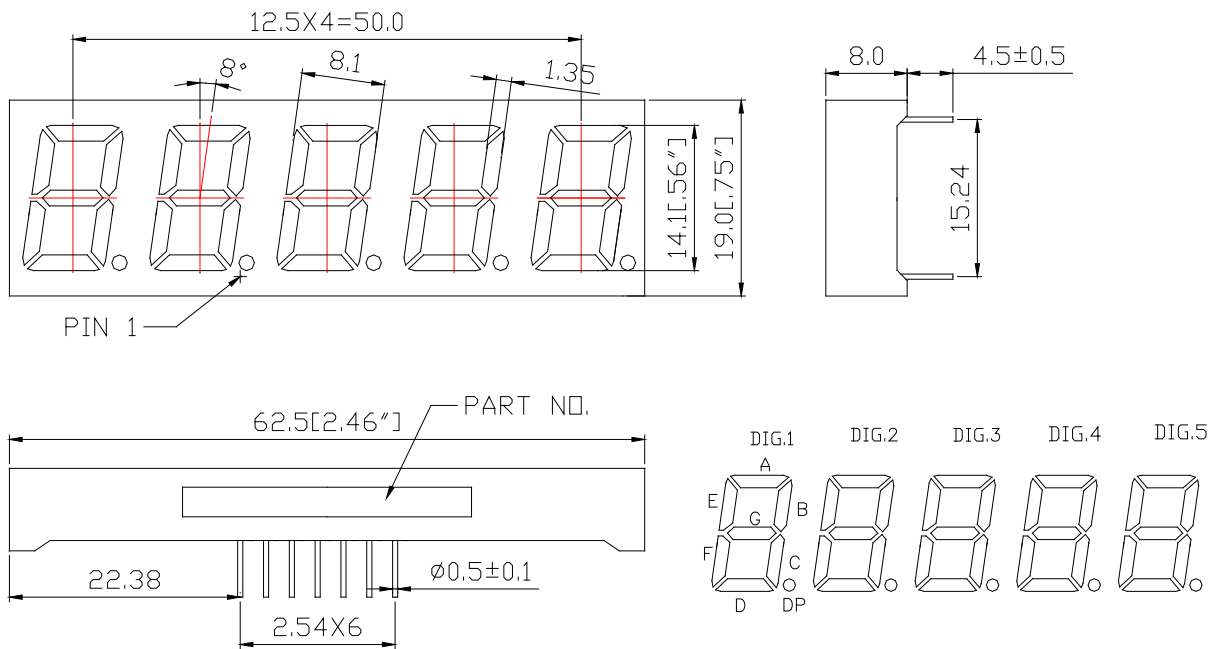


WCN5-0056GU-C11**SPECIFICATION**

WCN			CUSTOMER
NOTE:			

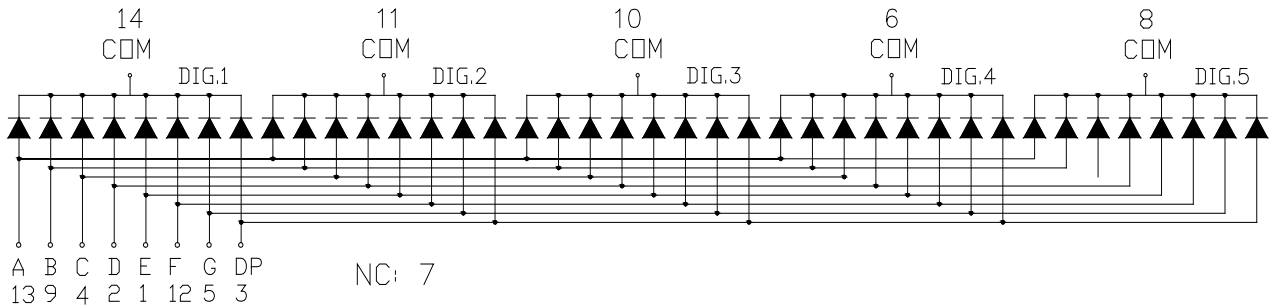
REVISION: 01

■ **Outer Dimension:**



Notes: Unless otherwise stated, The tolerance is ±0.25mm.

■ **Circuit Diagram:**



■ **Pin Connection:**

PIN NO.	CONNECTION	PIN NO.	CONNECTION
1	Anode E	8	Common DIG. 5
2	Anode D	9	Anode B
3	Anode DP	10	Common DIG.3
4	Anode C	11	Common DIG.2
5	Anode G	12	Anode F
6	Common DIG.4	13	Anode A
7	NO Connect	14	Common DIG.1

■ Features:

- High Reliability
- Color :Yellow Green
- Low Power Requirement
- Easy Assembly

■ Description:

- Five Digit LED Display
- Digit Height:14.1mm(0.56")
- Black Face and Encapsulation With Milky Epoxy

■ Absolute Maximum Rating (Ta=25°C):

Parameter	Symbol	Condition	Color	Rating	Units
Power Dissipation Segment	P _d	—	Yellow Green	65	mW
Forward Current Segment	I _F	—	Yellow Green	25	mA
Derating Of If Per Segment	ΔI _F	Ta ≥ 25°C	Yellow Green	0.33	mA/°C
Peak Forward Current Per Segment	I _{FP}	1/10 Duty 10KHz	Yellow Green	100	mA
Reverse Voltage Per Segment	V _R	—	Yellow Green	5	V
Operating Temperature Range	Topr	—	—	-35~+85	°C
Storage Temperature Range	Tstg	—	—	-35~+85	°C

■ Electrical/Optical Characteristics Rating(Ta=25°C):

Item	Symbol	Test conditions	Location	Color	Rating			Unit
					Min.	Typ.	Max	
Forward Voltage	V _F	I _F =20mA	Per Segment	Yellow Green	1.80	2.25	2.60	V
Reverse Current	I _R	V _R =5V	Per Segment	Yellow Green	—	—	100	μA
Luminous Intensity	I _V	I _F =20mA	Per Segment	Yellow	3420	5000	—	μcd
Wave Length	λ _P	I _F =20mA	Per Segment	Yellow Green	—	568	—	nm
	λ _D				—	573	—	
Spectral Line Half Width	Δλ	I _F =20mA	Per Segment	Yellow Green	—	30	—	nm
Luminous Intensity Matching Ratio (Segment To Segment)	I _{v-m}	I _F =10mA					2:1	

■ Luminous Intensity Sorting:

Rank	Symbol	Condition	Min	Max	Unit
J	J	I _F =10mA	3420	4200	μcd
K	K	I _F =10mA	4200	5040	μcd
L	L	I _F =10mA	5040	6050	μcd

Hue Grade: (I_F=10mA ,Color Tolerance:±1nm)

Rank	Symbol	Hue Range	Units
3	3	569.1~571	nm
4	4	571.1~573	nm
5	5	573.1~575	nm

■ Soldering Conditions: Soldering Temp. ≤ +260°C, Soldering Time. ≤ 3sec.

(at 2mm Distance from The Case of Reflector Edge)