

WCN4-0036SR-C11

SPECIFICATION

| WCN | | | CUSTOMER Confirmed |
|-------------|------------|-------------|-----------------------|
| Prepared by | Checked by | Approved by | |
| | | | |

**REVISION: 01**

■ **Features:**

- High Reliability
- Color : Red
- Low Power Requirement
- Easy Assembly

■ **Description:**

- Four Digit LED Display
- Digit Height: 9.2mm(0.36")
- Black Face and Milky Epoxy

■ **Absolute Maximum Rating (Ta=25°C):**

| Parameter | Symbol | Condition | Color | Rating | Units |
|----------------------------------|-----------------|--------------------|-------|---------|-------|
| Power Dissipation Segment | P _d | — | Red | 50 | mW |
| Forward Current Segment | I _F | — | Red | 25 | mA |
| Derating Of If Per Segment | ΔI _F | Ta ≥ 25°C | Red | 0.30 | mA/°C |
| Peak Forward Current Per Segment | I _{FP} | 1/10 Duty 10KHz | Red | 100 | mA |
| Reverse Voltage Per Segment | V _R | — | Red | 5 | V |
| Operating Temperature Range | Topr | — | — | -35~+85 | °C |
| Storage Temperature Range | Tstg | — | — | -35~+85 | °C |

■ **Electrical/Optical Characteristics Rating(Ta=25°C):**

| Item | Symbol | Test conditions | Location | Rating | | | Units |
|---|------------------|----------------------|-------------|--------|------|------|-------|
| | | | | Min. | Typ. | Max. | |
| Forward Voltage | V _F | I _F =20mA | Per Segment | — | 1.80 | 2.00 | V |
| Reverse Current | I _R | V _R =5V | Per Segment | — | — | 100 | μA |
| Luminous Intensity | I _V | I _F =20mA | Per Segment | 2001 | 4500 | — | μcd |
| Wave Length | λ _P | I _F =20mA | Per Segment | — | 660 | — | nm |
| | λ _D | | | — | 643 | — | |
| Spectral Line Half Width | Δλ | I _F =20mA | Per Segment | — | 20 | — | nm |
| Luminous Intensity Matching Ratio (Segment To Segment) | I _{v-m} | I _F =10mA | | | | 2:1 | |

■ **Luminous Intensity Sorting:**

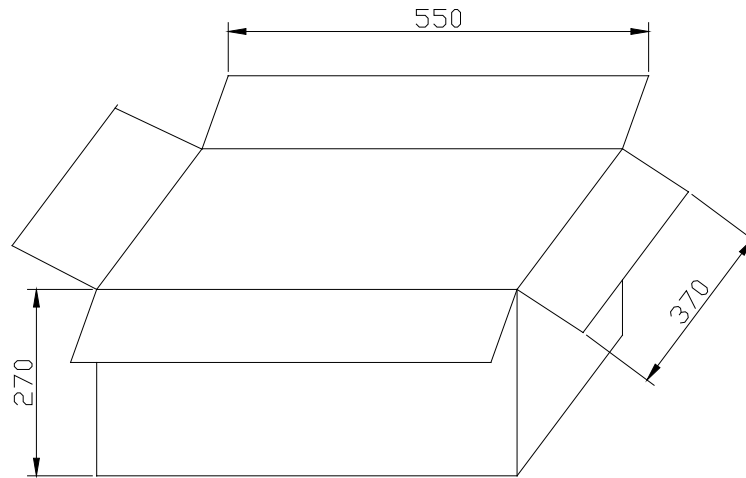
| Rank | Symbol | Condition | Min | Max | Unit |
|------|--------|----------------------|------|------|------|
| I | I | I _F =10mA | 2001 | 3200 | μcd |
| J | J | I _F =10mA | 3201 | 5050 | μcd |
| K | K | I _F =10mA | 5051 | 8000 | μcd |

■ **Soldering Conditions: Soldering Temp. ≤ +260°C, Soldering Time. ≤ 3sec.**

(at 2mm Distance from The Case of Reflector Edge)

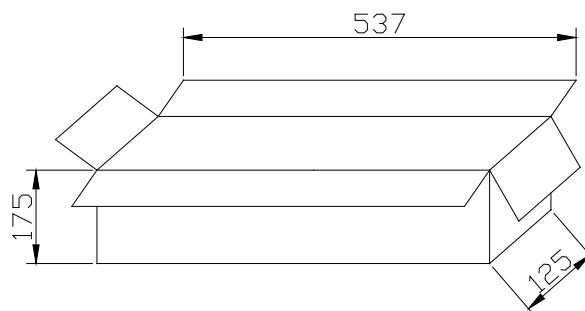
World Components Network Service Ltd

■ Out Carton Dimension:



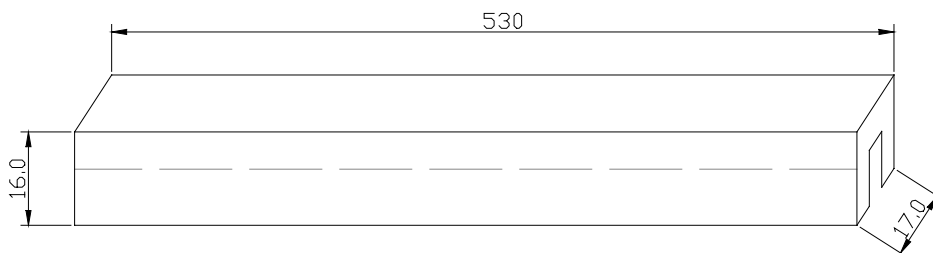
- Note:**
1. One Out carton contained four Inside cartons, contained 4760PCS products.
 2. Unless otherwise stated , The tolerance is +5mm / -0mm.
 3. The carton material is A=A Brown Paper.

■ Inside Carton Dimension:



- Note:**
1. One Inside carton contained 70PCS IC Tube, contained 1190PCS products.
 2. Unless otherwise stated , The tolerance is ± 2 mm.
 3. The carton outside and inside paper material are A rank Paper.

■ IC Tube Dimension:



- Note:**
1. One IT Tube contained 17PCS products.
 2. Unless otherwise stated , The tolerance is ± 0.5 mm.
 3. The IC Tube material is Water clear PVC.

