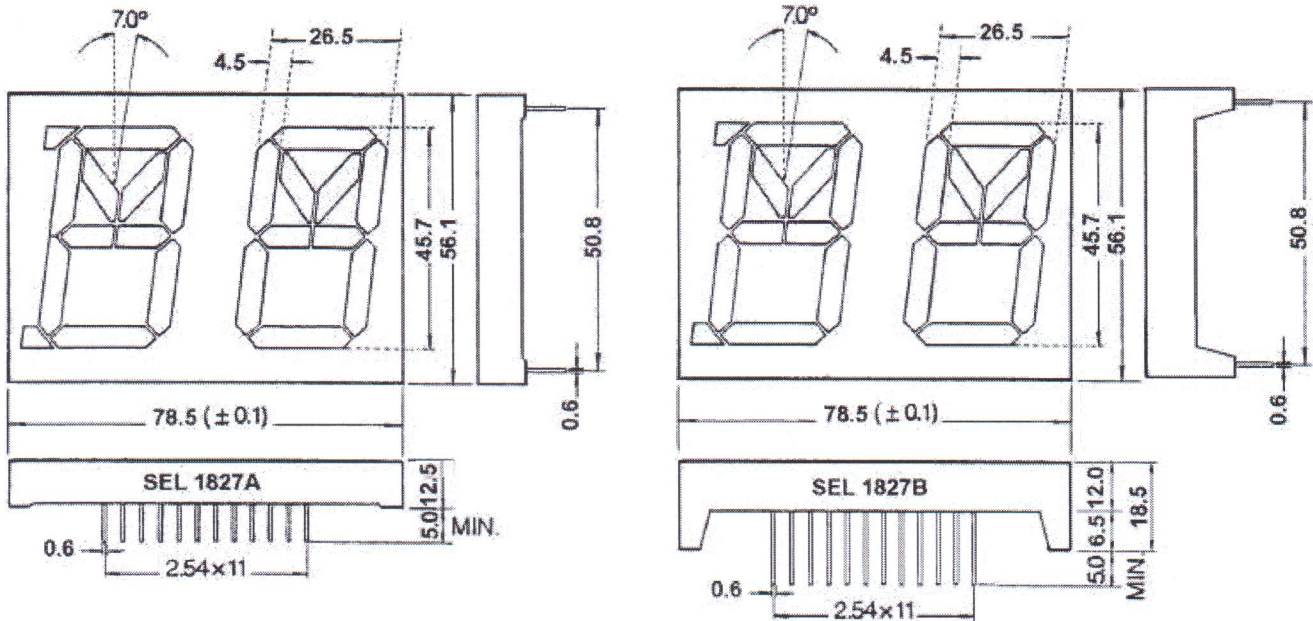


High Reliability 1.8 inch Dual-digit LED Displays for Elevator

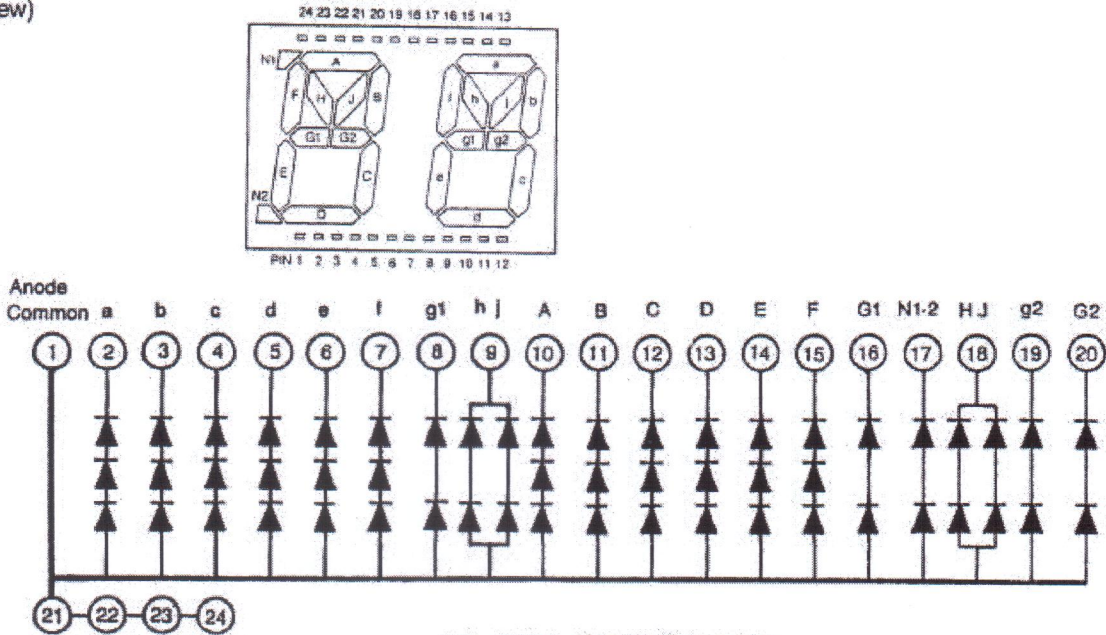
SEL 1820A(B) SEL 1827A(B)

PACKAGE DIMENSIONS



CONNECTIONS GUIDE

(Top View)



SEL 1827A (Anode Common)

三光半導体株式会社
SAM KWANG SEMICONDUCTOR CO., LTD.

803 Silla Techno Vil., 39-3 Dang-dong Kunpo-City Kyungki-do, Korea,
TEL:031-456-1444/1484, FAX:031-456-4224

Orange SEL1820A-7ASR (GaAsp/GaP)

Absolute Maximum Ratings ($T_a = 25^\circ\text{C}$)

Power dissipation/Total	2160	mW
Power dissipation/Seg	40	mW
Forward current	20	mA
Peak forward current	60*	mA
Reverse voltage	10	V
Operating temperature	-25 ~ +85	$^\circ\text{C}$
Storage temperature	-55 ~ +100	$^\circ\text{C}$

* Pulse Width 1 ms
Duty Cycle 1/5

Electrical/Optical Characteristics ($T_a = 25^\circ\text{C}$)

Parameter	Symbol	Conditions	Min	Typ	Max.	Unit
Forward voltage /chip	V_F	$I_F = 10\text{mA}$	—	1.85	2.0	V
Reverse current	I_R	$V_R = 10\text{V}$	—	—	10	μA
Luminous intensity/digit	I_V	$I_F = 10\text{mA}$	200	—	—	μcd
Peak wavelength	λ_P	$I_F = 10\text{mA}$	—	635	—	nm
Spectral line halfwidth	$\Delta\lambda$	$I_F = 10\text{mA}$	—	40	—	nm

A B C D E F a b c d e f $V_F = 5.6\text{V Typ } I_F = 10\text{mA}$
 G1 G2 g1 g2 N1-2 $V_F = 3.7\text{V } I_F = 10\text{mA}$
 H J h j $V_F = 3.7\text{V } I_F = 20\text{mA}$

Yellow Green SEL 1820A/7AUG (GaP)

Absolute Maximum Ratings ($T_a = 25^\circ\text{C}$)

Power dissipation/Total	2160	mW
Power dissipation/Seg	40	mW
Forward current	20	mA
Peak forward current	60*	mA
Reverse voltage	3	V
Operating temperature	-25 ~ +85	$^\circ\text{C}$
Storage temperature	-55 ~ +100	$^\circ\text{C}$

* Pulse Width 1 ms
Duty Cycle 1/5

Electrical/Optical Characteristics ($T_a = 25^\circ\text{C}$)

Parameter	Symbol	Conditions	Min	Typ	Max.	Unit
Forward voltage	V_F	$I_F = 10\text{mA}$	—	2.2	2.5	V
Reverse current	I_R	$V_R = 10\text{V}$	—	—	10	μA
Luminous intensity/digit	I_V	$I_F = 10\text{mA}$	350	—	—	μcd
Peak wavelength	λ_P	$I_F = 10\text{mA}$	—	568	—	nm
Spectral line halfwidth	$\Delta\lambda$	$I_F = 10\text{mA}$	—	30	—	nm

A B C D E F a b c d e f $V_F = 6.6\text{V Typ } I_F = 10\text{mA}$
 G1 G2 g1 g2 N1-2 $V_F = 4.4\text{V } I_F = 10\text{mA}$
 H J h j $V_F = 4.4\text{V } I_F = 20\text{mA}$