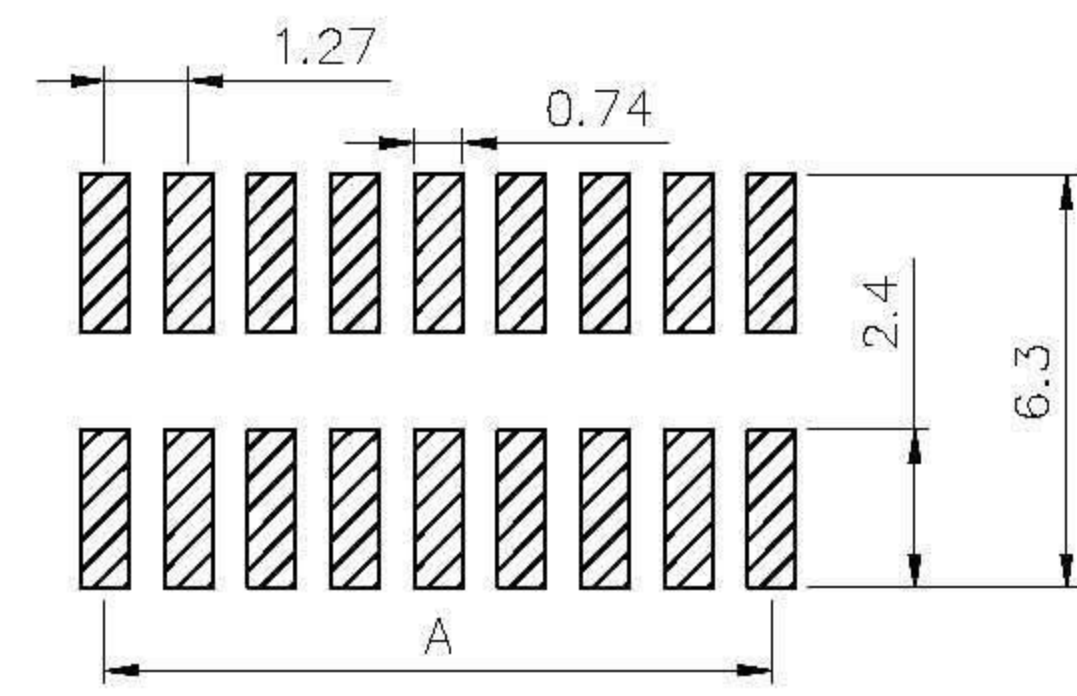
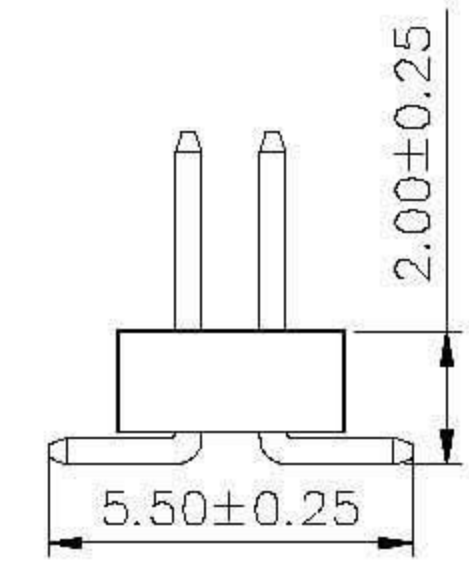
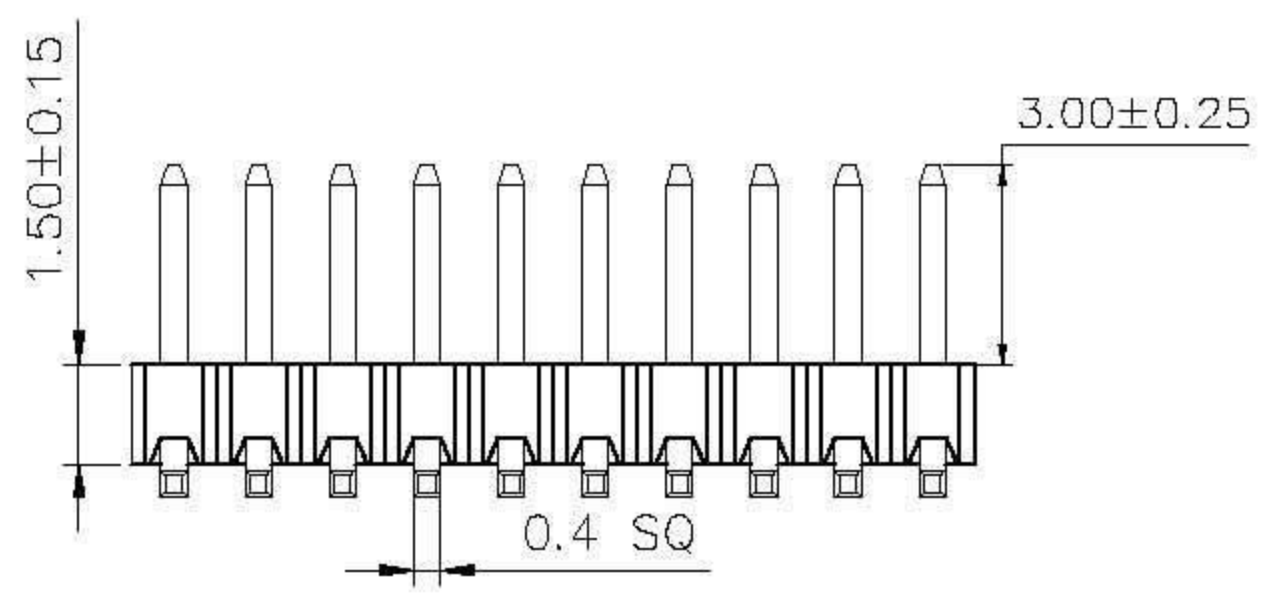
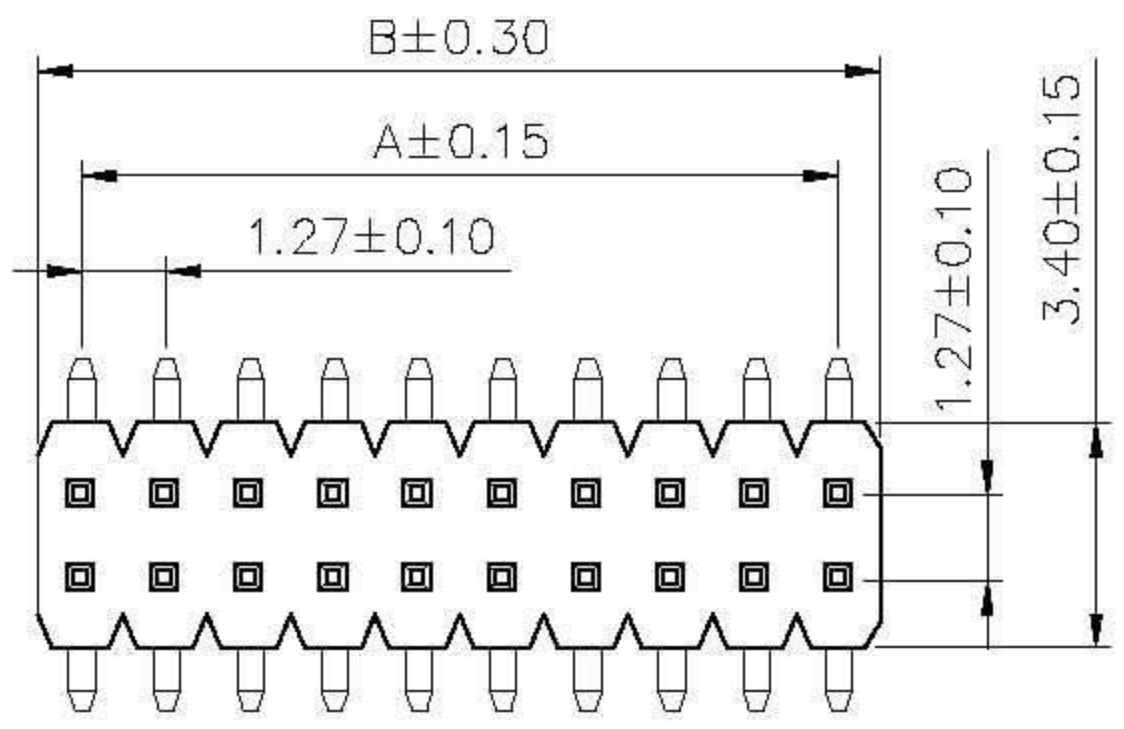


1 2 3 4 5 6 7 8 9

A	1.27 x No. of Contacts-1.27
B	1.27 x No. of Positions

SPECIFICATIONS

Current Rating: 1 Amps
 Withstanding Voltage: AC 500V
 Insulation Resistance: 1000MΩ Min
 Contact Resistance: 20mΩ Max
 Operation Temperature: -40° to +105°
 Insulator Material: Polyester (UL94V-0)
 Standard: 6T
 Contact Material: Brass
 Contact Plating: Au or Sn over 50u" Ni
 Max. Processing Temp: 230° C for 30-60 seconds
 (260° C for 5 seconds)



1415 2 XX G0 X M 01

RECOMMEND P. C. BOARD LAYOUT
 PCB TOLERANCE: ±0.05 (TOP VIEW)

Plastics Height 10=1.0mm 15=1.5mm 20=2.0mm 25=2.5mm .	No. of Rows 1=Single Row 2=Dual Row .	No. of Pins Per Row 2X50 2-100 .	Contact Plating SN: Tin G0: Gold Flash G2: 5U" Gold G3: 10U" Gold G4: 15U" Gold G5: 30U" Gold S0: Gold Flash/Tin Standard: G0	Insulator Material Option A BK-PBT B BK-PA66 C BK-PA6T D BK-PA46 F BK-LCP S Special	Connector Type S= Straight R= Right Angle M= SMT .
---	---	--	--	--	---

UNLESS OTHERWISE SPECIFIED TOLERANCE		DRAWN NAME: 1.27PH 2xPin HL.5 L=6.5 SMT					
X : ±0.3	X' : ±5°	SIZE	A4	SCALE	N:1	PROCT NO.	
LX : ±0.2	LX' : ±1°	REV	A	UNIT	mm	PROJECT	
LXX : ±0.1	LXX' : ±0.5°					PAGE 1/1	
DRAW:	王惠明	CHECKED:		APPROVED:			
DATE:	21/04/12	DATE:		DATE:			

1 2 3 4 5 6 7 8 9