

Specification Sheet

Model No. : HP12864-12-KPWG24P154-A

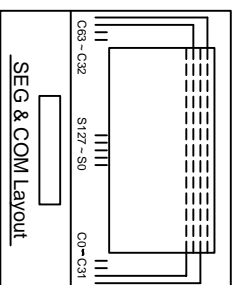
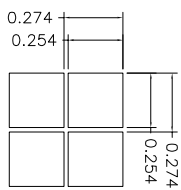
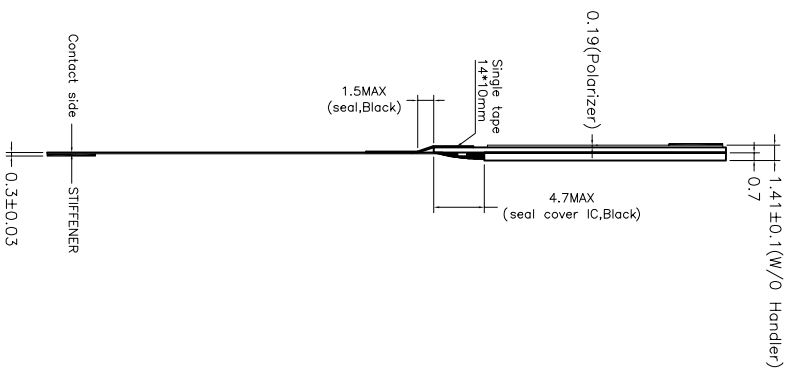
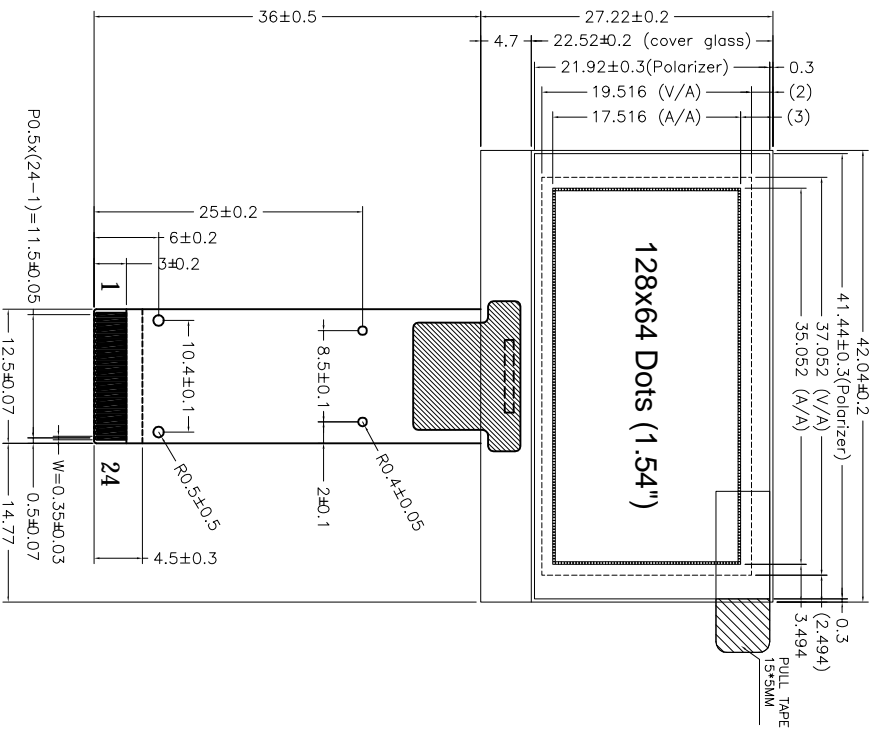
**Description : 1.54" OLED Module 128 x64 Pixel,
SPD0301ZD, 6800/8080,4-Wire
Serial,I2C, White Color**

All Pages Of This Edition Approved

Signature: _____

Date: _____

REV.	DESCRIPTION	REVISER	DATE
A0	First	luojinwei	2017-10-19



PIN	SYMBOL
1	NC(GND)
2	VSS
3	VSS
4	NC
5	VDD
6	BS1
7	BS2
8	CS#
9	RES#
10	DO#
11	RAW#
12	EREW#
13	DO
14	D1
15	D2
16	D3
17	D4
18	D5
19	D6
20	D7
21	IBEF
22	VCOMH
23	VCC
24	NC(GND)

Specifications:

1. Display : OLED(White).
2. Dot Matrix: 128*64
3. Dot Size: 0.254*0.254mm
4. Dot Pitch: 0.274*0.274mm
5. Aperture Rate: 86%
6. Active Area : 35.052*17.516mm
7. Drive IC: SPD0301ZD
8. FPC P/N: FPC-HP12864-12-A0

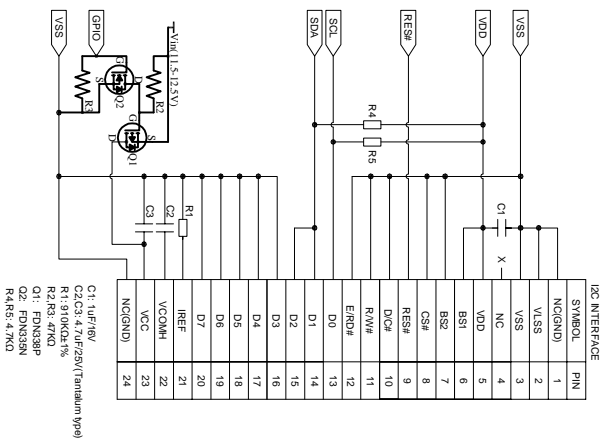
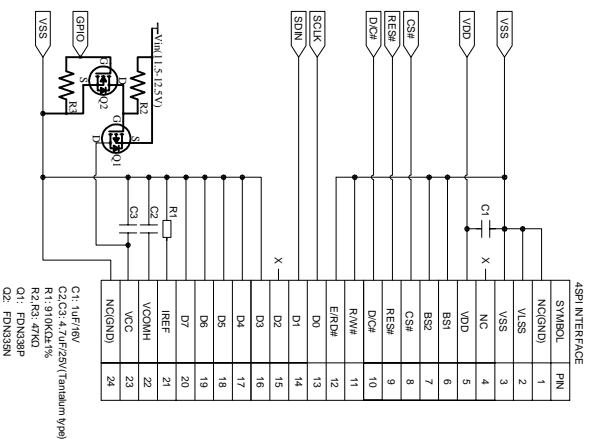
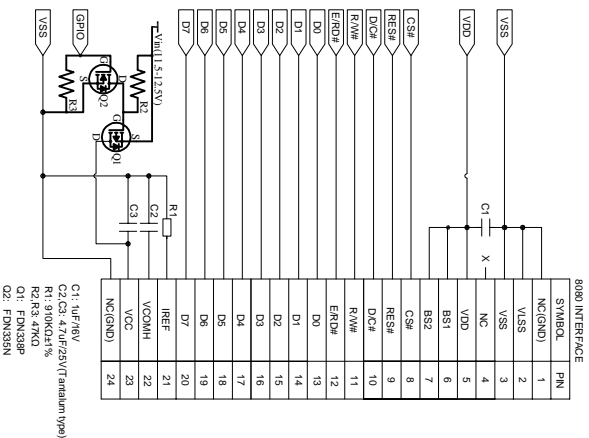
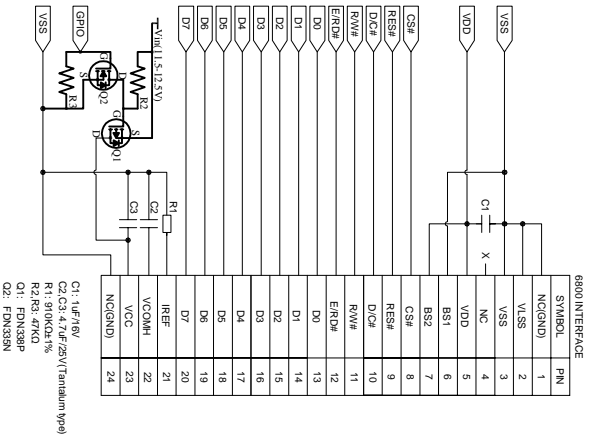
Icband Inc.

Unspecified Tolerance: ±0.20	UNITS: mm	DATE: 2017-10-19	MODEL NUMBER : HP12864-12-KPWG24P154-A	PROJECTION	SHEET: 1 OF 1
DESIGN BY: luojinwei					SCALE: 1 : 1
CHECKED BY:			DO NOT SCALE THIS DRAWING.		
APPROVED BY:					

2017. 10. 19

ksapopotnV

Autodesk



2017. 10. 19