

1 2 3 4 5 6 7 8

A

B

C

D

E

F

G

H

A

B

C

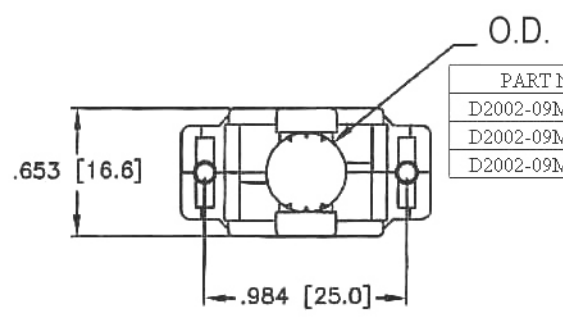
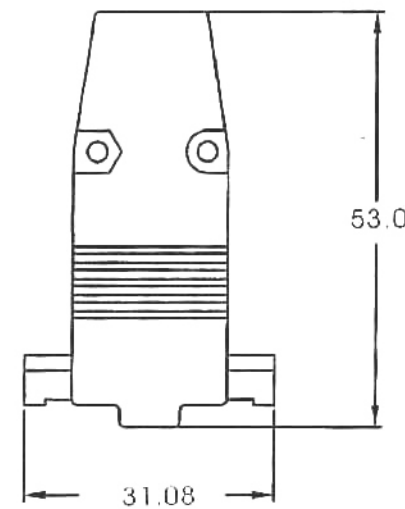
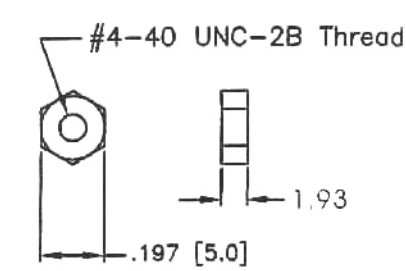
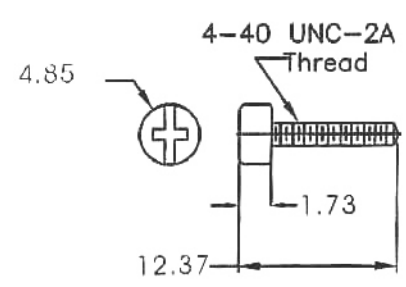
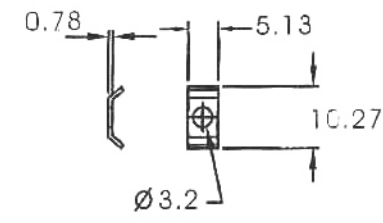
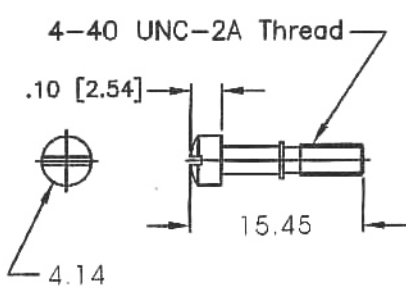
D

E

F

G

H



PART NO.	DIM. (mm)
D2002-09MSVI00	8.00
D2002-09MSVI01	10.00
D2002-09MSVI02	7.00

Material
Hood: Zn metal Die cast

玄茂科技股份有限公司
HSUAN MAO TECHNOLOGY CO., LTD.

UNIT		SCALE	PART NAME	
MM [INCH]		2:1	HOOD	
APPD.	CKD.	TOLERANCE	PART NO.	REV.
		±0.5	D2002-09MSVI0X	A

制表日:2003/06/11

DRAWING.	APPROVED
<i>Angus</i>	

1 2 3 4 5 6 7 8