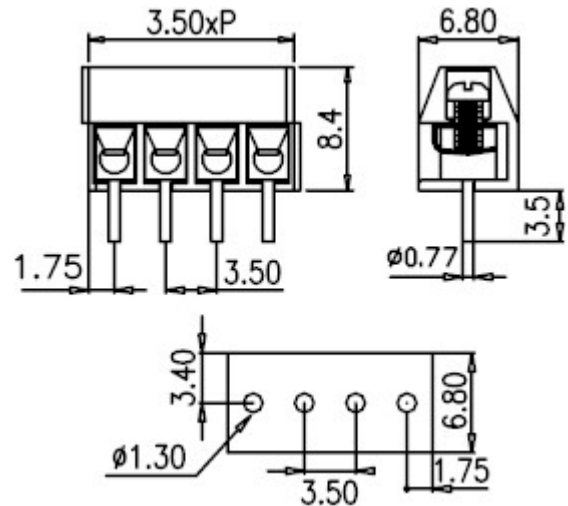
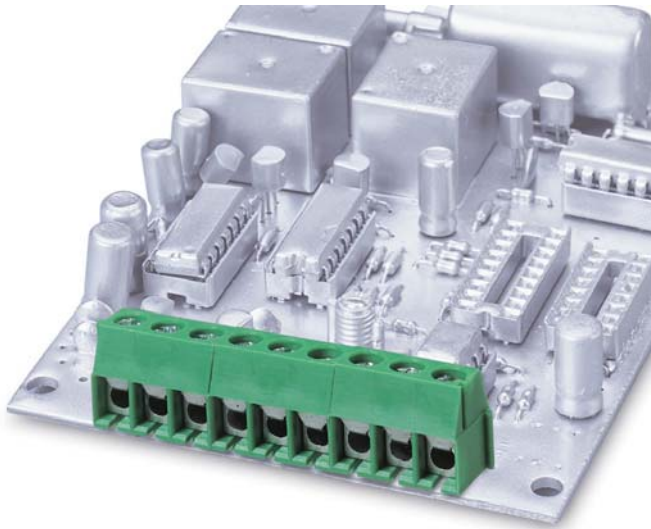


Wire protector type terminal blocks / ED series



ED350V



Pitch: 3.50mm

Approval		
Technical Data	UL	IEC
Rated voltage	300V	130V
Rated current	10A	10A
Wire range		1.5mm ²
Solid wire (AWG)	24~16	
Stranded wire (AWG/mm ²)	24~18	
Rated surge voltage (UL/IEC/Max.)	1.6 / 1.25 / 2 KV	
Torque (Lb-in)	2	
Screw	M2	
Wire strip length	5~6mm	
Pole	Cat. No.	
02	ED350V-02P	
03	ED350V-03P	

TEL: +886-2-2908-0614

FAX: +886-2-2908-8549

E-mail: infor@dinkle.com.tw