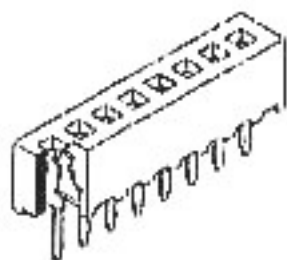
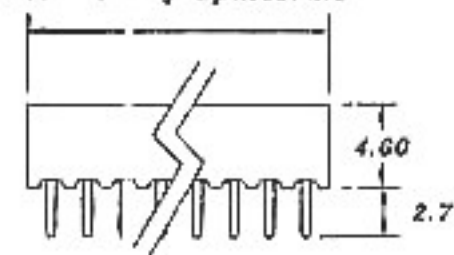


1 2 3 4 5 6 7 8

A

$2.0 \times \text{No. of Spaces} + 2.6$



SPECIFICATIONS

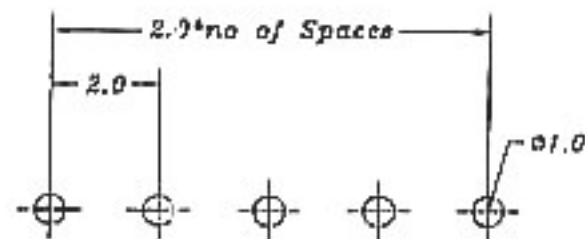
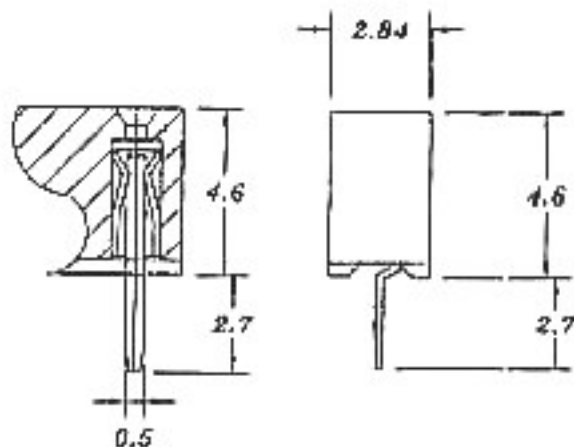
| | |
|-------------------------|---|
| Current Rating | 1 Amp |
| Insulator resistance | 5000 Megohms min. 500v DC for 1 minutes. |
| Contact resistance | 20 m ohm Max. |
| Dielectric withstanding | AC 500 v for 1 minutes. |
| Operating Temperature | -40 C ~ 105 C |
| Contact Material | Phosphor bronze |
| Insulator Material | Polyester, UL 94v-0 standard L.C.P |

B

C

D

$2.0 \times \text{No. of Spaces}$



E

F

Pc Board Layout

G

玄茂科技股份有限公司
HSUAN MAO TECHNOLOGY CO., LTD.

UNIT

SCALE

PART NAME

MM

2:1

2.0 FEMALE HEADER
DIP S/A SINGLE ROW

H

制表日: 2002/12/04

DRAWING.

APPROVED

APPD.

CKD.

TOLERANCE

PART NO.

REV.

Jane

± 0.5

C6801-XXASGA00

A

1 2 3 4 5 6 7 8