

### APPLICATION AND FEATURES

1. Compact and low profile design for saving space
2. High reliable contact with low insertion force.
3. Straight and right angle type facilitate engineering design.
4. Mate with flexible Printed Circuit.

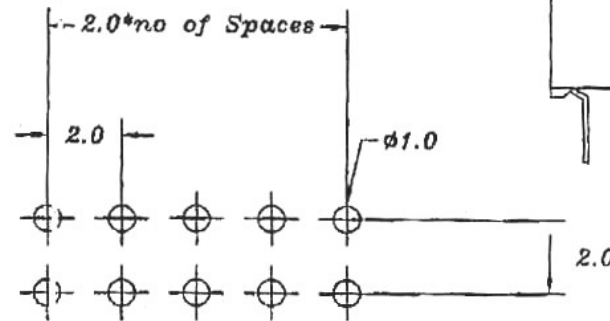
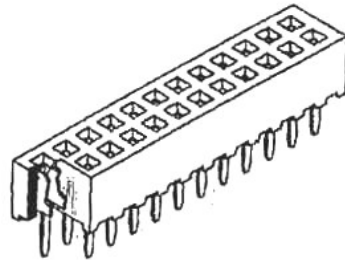
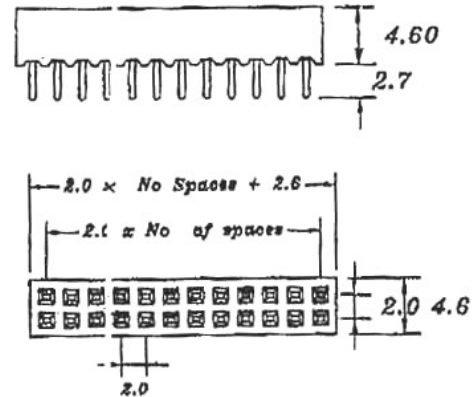
PBT -> Straight Type

### SPECIFICATIONS

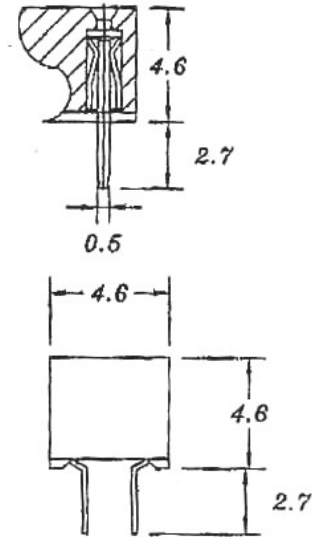
Current Rating  
Insulator resistance

Contact resistance  
Dielectric withstanding  
Operating Temperature  
Contact Material  
Insulator Material

1 Amp  
5000 Megohms min.  
500v DC for 1 minutes.  
20 m ohm Max.  
AC 500 v for 1 minutes.  
-40 C ~ 105 C  
Phosphor bronze  
Polyester, UL 94v-0



Pc Board Layout(Dual Row)



玄茂科技股份有限公司  
HSUAN MAO TECHNOLOGY CO., LTD.

UNIT

SCALE

PART NAME

MM

2 : 1

2.00 MM FEMALE HEADER, H=4.6MM  
DUAL ROW

APPD.

CKD.

TOLERANCE

PART NO.

REV.

制表日：2001/02/06

DRAWING.

APPROVED

Helwin

SHELLEY

± 0.5

C6801-XXBSGA00

A