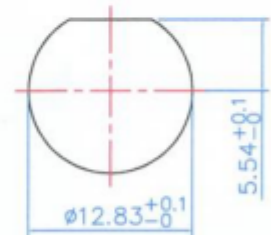
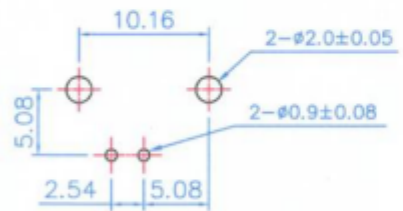
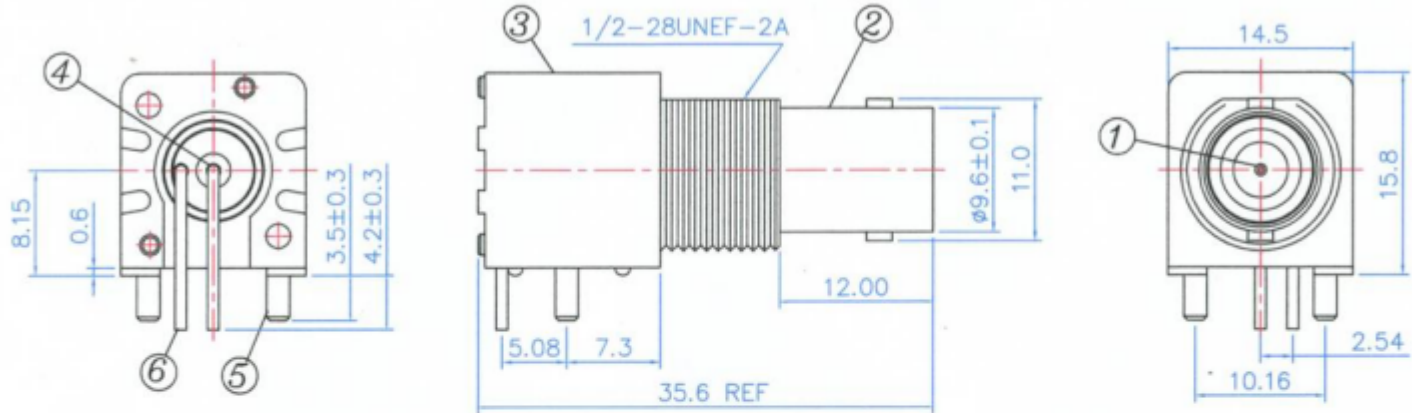


REV	ECO	DESCRIPTION	DRAWN	DATE
B	BC1102001	SEE ECO	Jean Ke	2011/2/10



RECOMMENDED PC BOARD LAYOUT
WITHOUT MOUNTING POSTS

RECOMMENDED MOUNTING HOLE
MAXIMUM PANEL THICKNESS: 5.5MM

V-7044LX/UB1

MATERIAL & FINISH

- ① CENTER CONTACT : PHOSPHOR BRONZE, GOLD PLATING
- ② BODY : ZINC ALLOY, NICKEL PLATING
- ③ HOUSING : PBT (94 V-0), WHITE
- ④ INSULATOR : PE-606
- ⑤ MOUNTING POST : IRON, TIN PLATING
- ⑥ SOLDER TAIL : COPPER WIRE, TIN PLATING

PATR NUMBER	DRAWN Jean Ke	DATE 2011/2/10	50Ω BNC R/A PCB/PANEL MOUNT JACK, WHITE		
MATERIAL SEE NOTE	CHECKED Ku	DATE 2011/2/10			
FINISH SEE NOTE	RESP ENG	DATE			
<small>TECHNICAL SPECIFICATIONS</small> <small>This document, including all drawings, text and information, are the confidential, proprietary property of Free Mount Corporation. Any modification, duplication, or disclosure of this document, or the drawings, text or information it, in whole or in part, without written permission of Free Mount Corporation is prohibited. Copyright Free Mount Corporation. All rights reserved.</small>			DRAWING NUMBER B040042B		
<small>UNLESS OTHERWISE SPECIFIED: DIMENSIONS ARE IN MM TOLERANCES ARE:</small> X ± 0.5 XX ± 0.3 XXX ± 0.2 ANGLES ± 3 DEG				REV B	
THIRD ANGLE PROJECTION		DO NOT SCALE DRAWING	SCALE 2:1	CAD FILE ERP	SHEET 1 OF 1