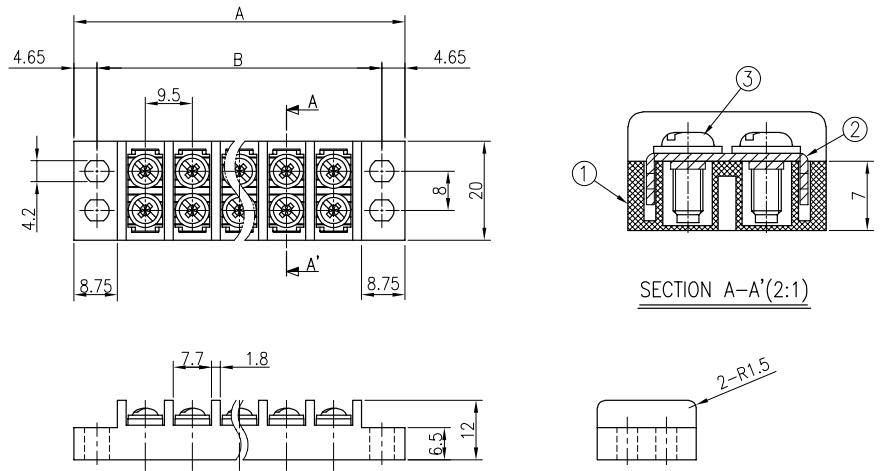


BR-950S

(2~20P)



- Rating : 250V 20A
- Insulation Resistance : More Than 1000MΩ DC 500V
- Withstand Voltage : AC2000V Per Minute
- Wire Size / Range : AWG16~22
- Maximum Acceptable Temperature : -40°C ~ +85°C

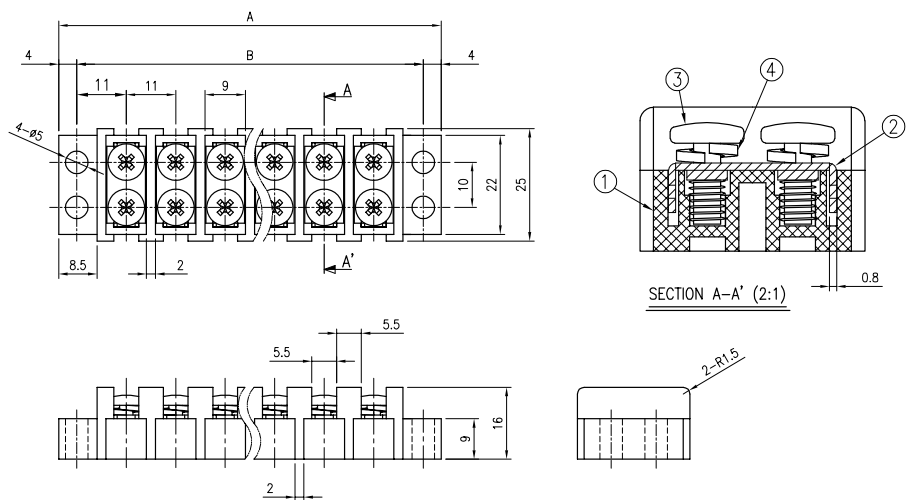
No	Component Part	Material	Standard	Plated	Remark
1	Frame	P.B.T.	UL94V-0	-	-
2	Terminal Plate	BRASS	C2680R	Ni	-
3	Screw	SWCH10A	-	Ni	M3 * 7

A-B Dimension

P	1	2	3	4	5	6	7	8	9	10	11	12	13	14	15	16	17	18	19	20
A±0.8	-	38	47.5	57	66.5	76	85.5	95	104.5	114	123.5	133	142.5	152	161.5	171	180.5	190	199.5	209
B±0.5	-	28.5	38	47.5	57	66.5	76	85.5	95	104.5	114	123.5	133	142.5	152	161.5	171	180.5	190	199.5

BR-1100S

(2~20P)



- Rating : 250V 20A
- Insulation Resistance : More Than 1000MΩ DC 500V
- Withstand Voltage : AC2000V Per Minute
- Wire Size / Range : AWG14~22
- Maximum Acceptable Temperature : -40°C ~ +85°C

No	Component Part	Material	Standard	Plated	Remark
1	Frame	P.B.T.	UL94V-0	-	-
2	Terminal	BRASS	C2680R	Sn	-
3	Screw	SWCH10A	-	Ni	M4 * 9
4	Spring Washer	HSWR62		Ni	Ø 6.7 * Ø 3.7

A-B Dimension

P	1	2	3	4	5	6	7	8	9	10	11	12	13	14	15	16	17	18	19	20
A±0.8	-	40.5	51.5	62.5	73.5	84.5	95.5	106.5	117.5	128.5	139.5	150.5	161.5	172.5	183.5	194.5	205.5	216.5	227.5	238.5
B±0.5	-	33	44	55	66	77	88	99	110	121	132	143	154	165	176	187	198	209	220	231

※ 조립식 단자대는 경우에 따라 수축(또는 조립) 공차가 발생할 수 있습니다.