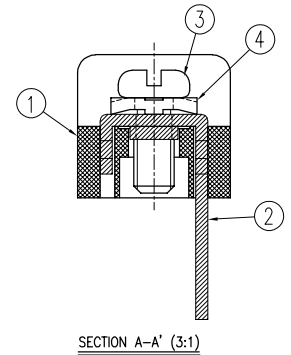
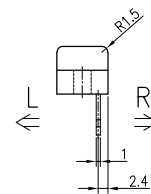
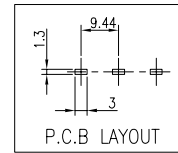
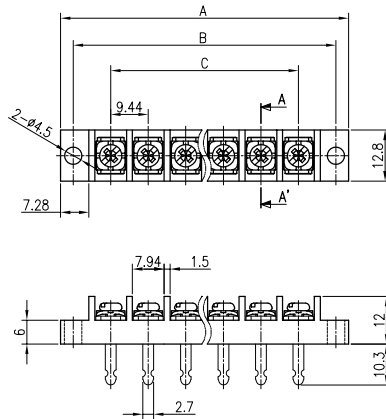


BR-944DE(*L)

(2~18P)



(*L) = Option

- Rating : 250V 20A
- Insulation Resistance : More Than 1000MΩ DC 500V
- Withstand Voltage : AC2000V Per Minute
- Wire Size / Range : AWG16~22
- Maximum Acceptable Temperature : -40°C ~ +85°C

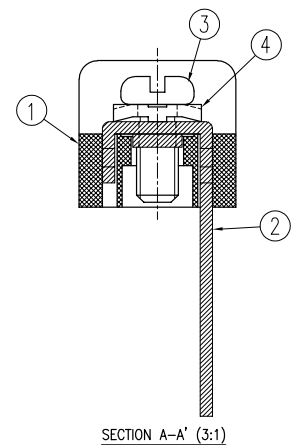
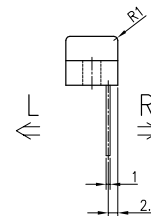
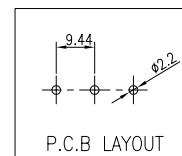
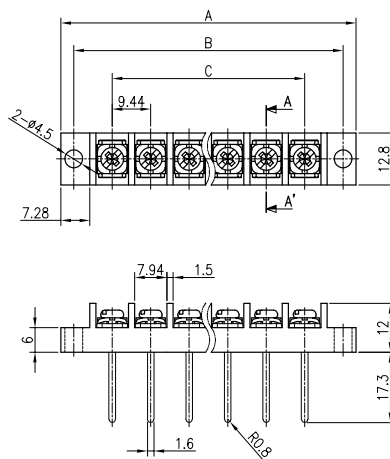
No	Component Part	Material	Standard	Plated	Remark
1	Frame	P.B.T.	UL94V-0	-	-
2	Terminal	BRASS	C2680R	Sn	-
3	Screw	SWCH10A	-	Ni	M3.5 * 8
4	WASHER	SPCC	-	Ni	□ 7.2 * 7.2

A-B-C Dimension

P	1	2	3	4	5	6	7	8	9	10	11	12	13	14	15	16	17	18
A±0.8	-	34.94	44.38	55.82	63.26	72.70	82.14	91.58	101.02	110.46	119.90	129.34	138.78	148.22	157.66	167.10	176.54	185.98
B±0.8	-	27.44	36.88	46.32	55.76	65.20	74.64	84.08	93.52	102.96	112.40	121.84	131.28	140.72	150.16	159.60	169.04	178.48
C±0.5	-	9.44	18.88	28.32	37.76	47.2	56.64	66.08	75.52	84.96	94.4	103.84	113.28	122.72	132.16	141.6	151.04	160.48

BR-944DK(*L)

(2~18P)



(*L) = Option

- Rating : 250V 20A
- Insulation Resistance : More Than 1000MΩ DC 500V
- Withstand Voltage : AC2000V Per Minute
- Wire Size / Range : AWG16~22
- Maximum Acceptable Temperature : -40°C ~ +85°C

No	Component Part	Material	Standard	Plated	Remark
1	Frame	P.B.T.	UL94V-0	-	-
2	Terminal	BRASS	C2680R	Sn	-
3	Screw	SWCH10A	-	Ni	M3.5 * 8
4	WASHER	SPCC	-	Ni	□ 7.2 * 7.2

A-B-C Dimension

P	1	2	3	4	5	6	7	8	9	10	11	12	13	14	15	16	17	18
A±0.8	-	34.94	44.38	55.82	63.26	72.70	82.14	91.58	101.02	110.46	119.90	129.34	138.78	148.22	157.66	167.10	176.54	185.98
B±0.8	-	27.44	36.88	46.32	55.76	65.20	74.64	84.08	93.52	102.96	112.40	121.84	131.28	140.72	150.16	159.60	169.04	178.48
C±0.5	-	9.44	18.88	28.32	37.76	47.2	56.64	66.08	75.52	84.96	94.4	103.84	113.28	122.72	132.16	141.6	151.04	160.48

※ 조립식 단자대는 경우에 따라 수축(또는 조립) 공차가 발생할 수 있습니다.