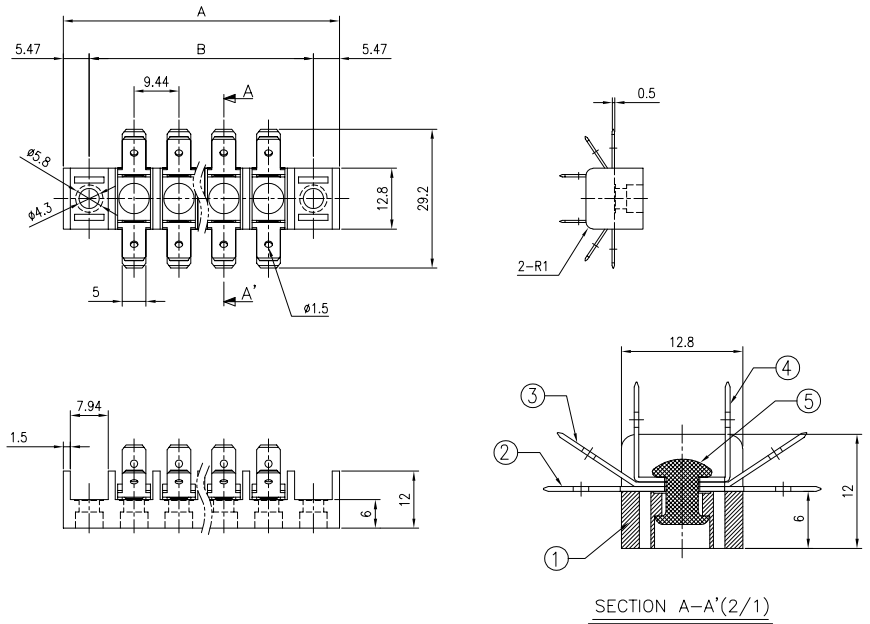


# BR-944A3

(2~18P)



- Rating : 250V 20A
- Insulation Resistance : More Than 1000MΩ DC 500V
- Withstand Voltage : AC2000V Per Minute
- Wire Size / Range : AWG16~22
- Maximum Acceptable Temperature : -40°C ~ +85°C

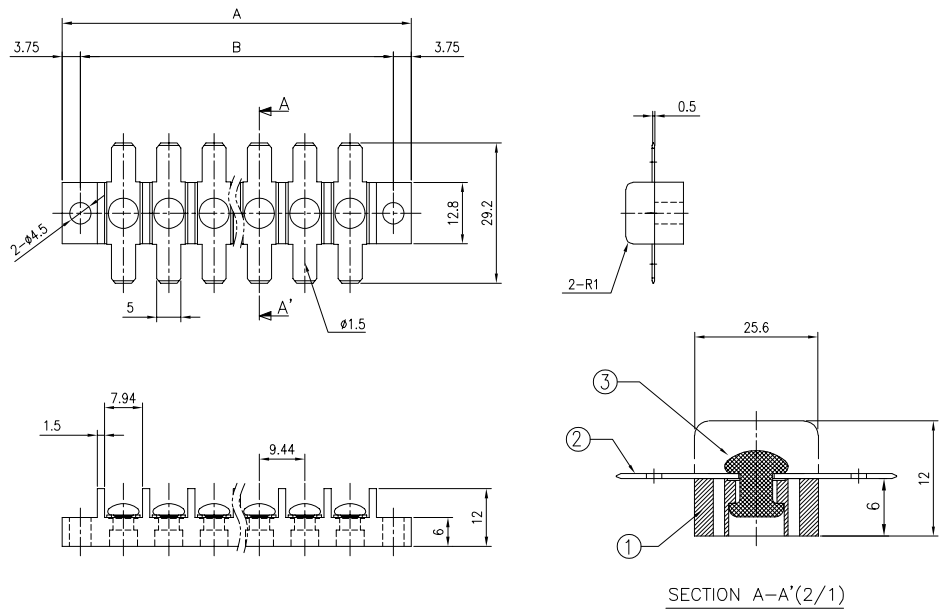
No	Component Part	Material	Standard	Plated	Remark
1	Frame	P.B.T.	UL94V-0	-	-
2	Terminal #1	BRASS	C2680R	Ni	-
3	Terminal #2	BRASS	C2680R	Ni	-
4	Terminal #3	BRASS	C2680R	Ni	-
5	Rivet	AL	-	-	-

## A-B Dimension

P	1	2	3	4	5	6	7	8	9	10	11	12	13	14	15	16	17	18
A±0.8	-	39.26	48.70	58.14	67.58	77.02	86.46	95.90	105.34	114.78	124.22	133.66	143.10	152.54	161.98	171.42	180.86	190.3
B±0.5	-	28.32	37.76	47.2	56.64	66.08	75.52	84.96	94.4	103.84	113.28	122.72	132.16	141.6	151.04	160.48	169.92	179.36

# BR-944DA1

(2~18P)



- Rating : 250V 20A
- Insulation Resistance : More Than 1000MΩ DC 500V
- Withstand Voltage : AC2000V Per Minute
- Wire Size / Range : AWG16~22
- Maximum Acceptable Temperature : -40°C ~ +85°C

No	Component Part	Material	Standard	Plated	Remark
1	Frame	P.B.T.	UL94V-0	-	-
2	Terminal	BRASS	C2680R	Ni	-
3	Rivet	AL	-	-	-

## A-B Dimension

P	1	2	3	4	5	6	7	8	9	10	11	12	13	14	15	16	17	18
A±0.8	-	34.68	44.12	53.56	63.00	72.44	81.88	91.32	100.76	110.20	119.64	129.08	138.52	147.96	157.40	166.84	176.28	185.72
B±0.5	-	28.32	37.76	47.20	56.64	66.08	75.52	84.96	94.40	103.84	113.28	122.72	132.16	141.6	151.04	160.48	169.92	179.36