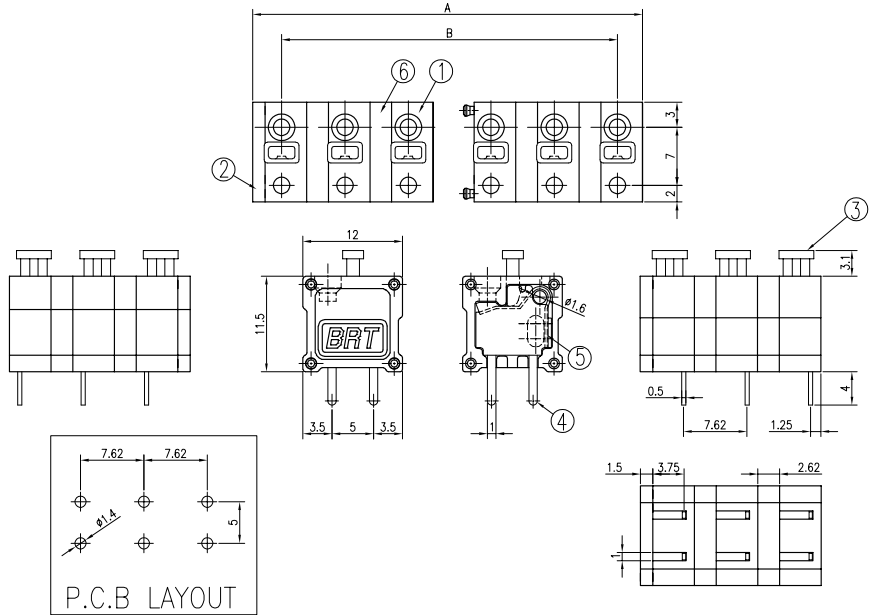
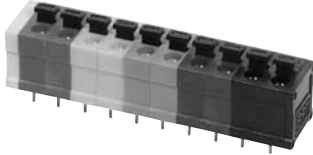


BR-7621S2

(2P~)



- Rating : 300V 6A
- Insulation Resistance : More Than 500MΩ DC 500V
- Withstand Voltage : AC2000V Per Minute
- Wire Size / Range : AWG24~14(Ø0.5~1.6mm)
- Maximum Acceptable Temperature : -25°C ~ +80°C
- Color : Red, Yellow, Green, Blue, Black

A-B Dimension

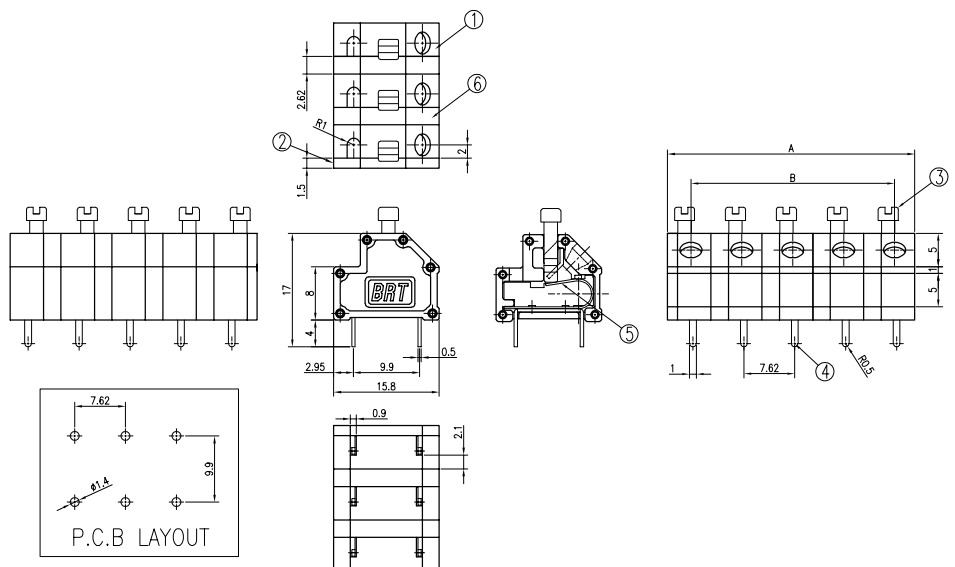
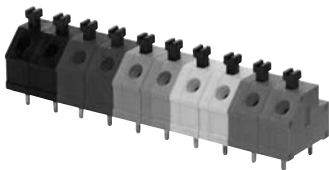
A.B Dimension	
A±0.8	(P x 7.62) + 1.5
B±0.8	(P - 1) x 7.62

※ 조립공차: Pin당 ±0.04mm

No	Component Part	Material	Standard	Plated	Remark
1	Frame	P.A.66	UL94V-0	-	-
2	Side Cover	P.A.66	UL94V-0	-	-
3	Push Button	P.A.66	UL94V-2	-	-
4	Terminal	BRASS	C2680R	Sn	-
5	Plate Spring	SUS	SUS304	-	-
6	Spacer	P.A.66	UL94V-0	-	-

BR-7622S2

(2P~)



- Rating : 300V 10A
- Insulation Resistance : More Than 500MΩ DC 500V
- Withstand Voltage : AC2000V Per Minute
- Wire Size / Range : AWG24~14(Ø0.5~1.6mm)
- Maximum Acceptable Temperature : -25°C ~ +80°C
- Color : Red, Yellow, Green, Blue, Black

A-B Dimension

A.B Dimension	
A±0.8	(P x 7.62) + 1.5
B±0.8	(P - 1) x 7.62

※ 조립공차: Pin당 ±0.04mm

No	Component Part	Material	Standard	Plated	Remark
1	Frame	P.A.66	UL94V-0	-	-
2	Side Cover	P.A.66	UL94V-0	-	-
3	Push Button	P.A.66	UL94V-2	-	-
4	Terminal	BRASS	-	Sn	-
5	Plate Spring	SUS	SUS304	-	-
6	Spacer	P.A.66	UL94V-0	-	-