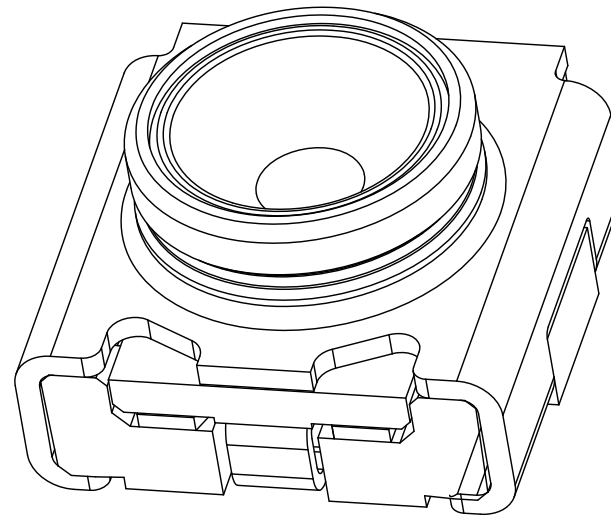
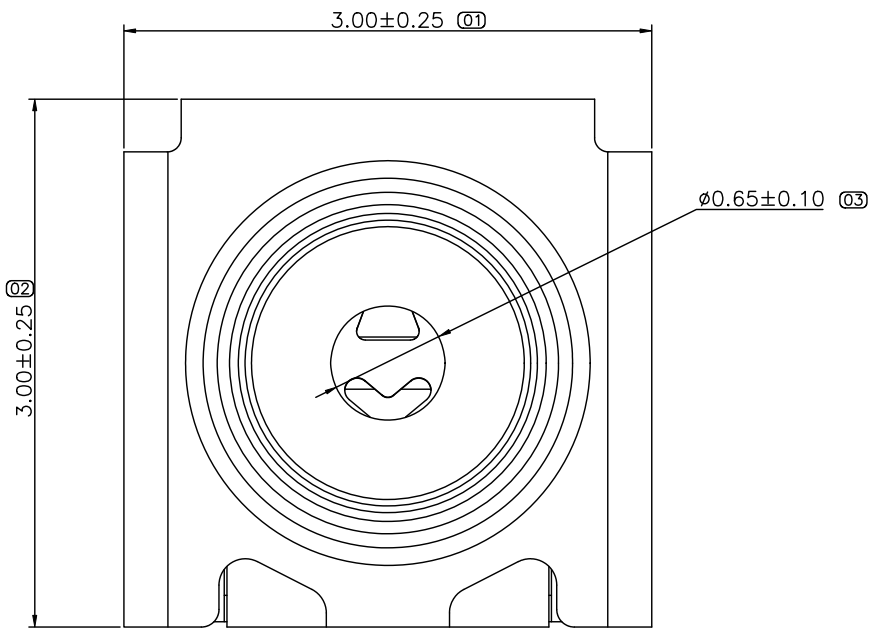


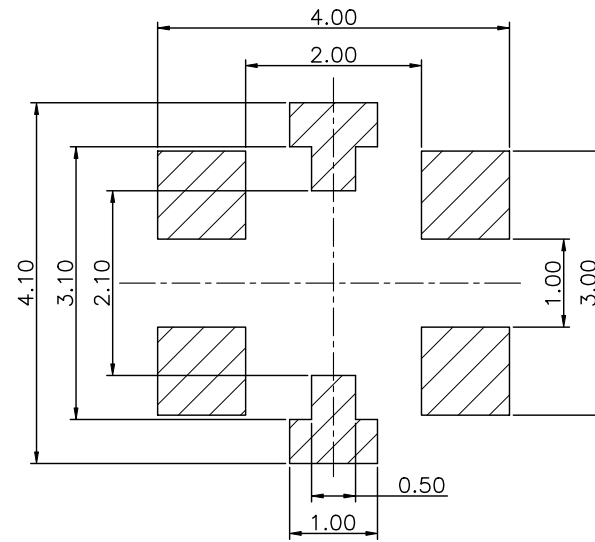
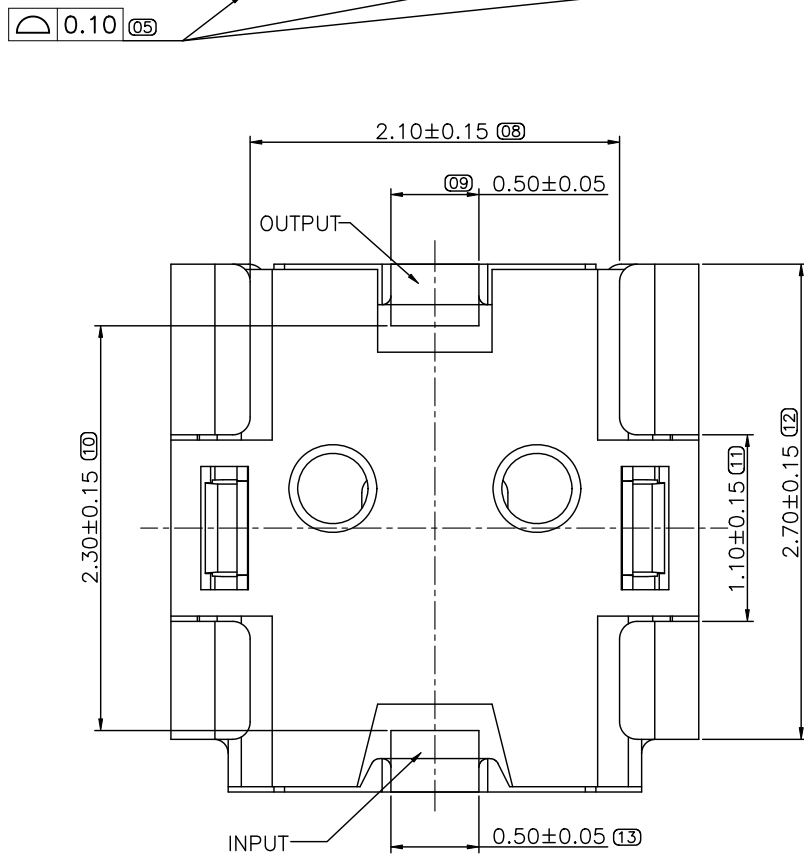
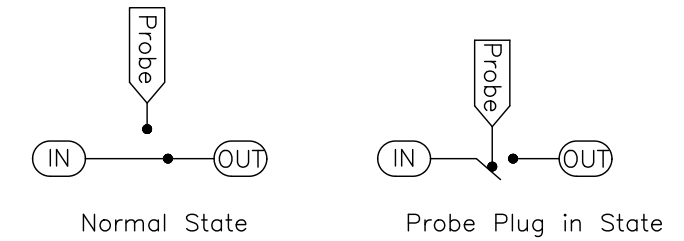
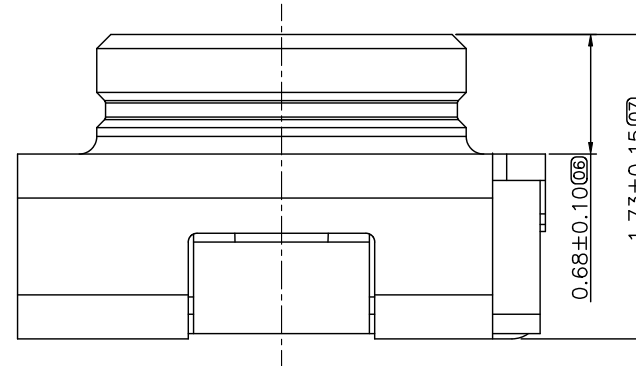
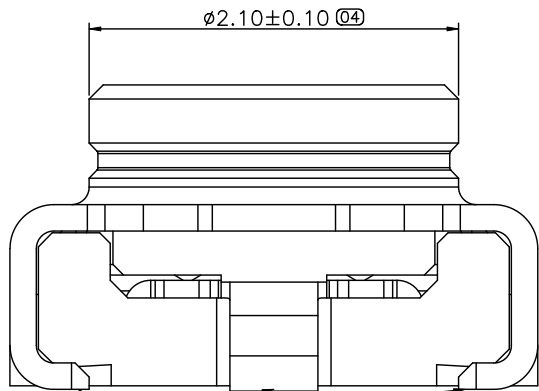
A3

REV	ECN NO	DESCRIPTION	DATE	APPD
A	ECN1006068	INITIAL EDITION	2012.09.28	Ford Liu
B	ECN1312093	UPDATE DRAWING	2013.12.31	Bill Zheng



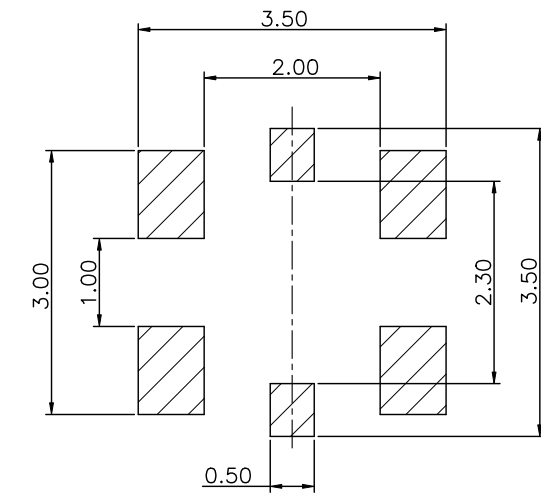
NOTE:

- MATERIALS:
 - HOUSING: THERMOPLASTIC, UL94 V-0, COLOR: BLACK;
 - COVER: THERMOPLASTIC, UL94 V-0, COLOR: BLACK;
 - TERMINAL-A: STAINLESS STEEL, T=0.06±0.01;
 - TERMINAL-B: COPPER ALLOY, T=0.10±0.01;
 - SHELL: COPPER ALLOY, T=0.15±0.01;
- FINISH:
 - TERMINAL-A: 3u" Min. GOLD PLATING ON CONTACT AREA OVER 30u" Min. NICKEL UNDERPLATING;
 - TERMINAL-B: 3u" Min. GOLD PLATING ON CONTACT AREA OVER 30u" Min. NICKEL UNDERPLATING;
 - SHELL: 3u" Min. GOLD PLATING ON CONTACT AREA OVER 30u" Min. NICKEL PLATED;
- PERFORMANCE:
 - RATINGS:
 - VOLTAGE RATING: 250V AC
 - SERVICE TEMPERATURE: -40°~+90°
 - STORAGE TEMPERATURE: -10°~+40°
 - INSULATION RESISTANCE: 500MOHM Min.



RECOMMENDED PCB LAYOUT (TOLERANCE: ±0.03)

SCALE: 1:2

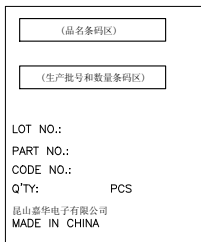
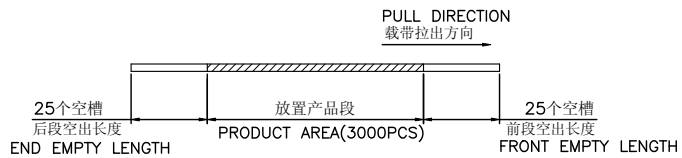
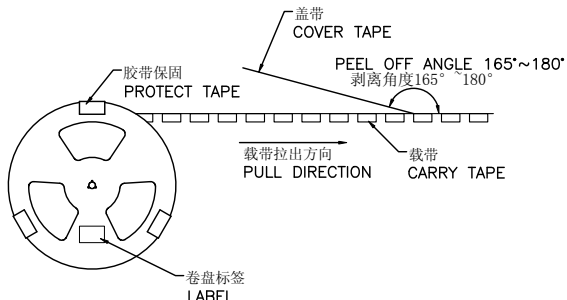
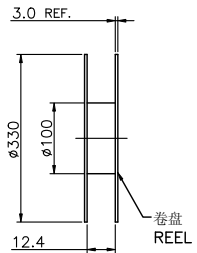
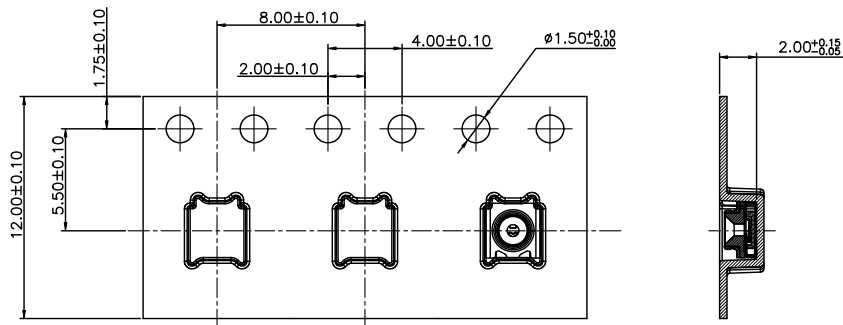


RECOMMENDED STENCIL MASK PATTERN (TOLERANCE: ±0.03) THICKNESS: 0.12mm

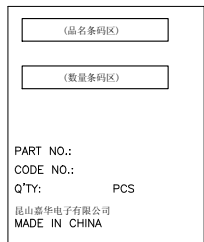
SCALE: 1:2

EXTEND USE RF SWITCH 3*3 CONNECTOR	UNIT mm	TITLE 7.006A3 CONNECTOR CUSTOMER DRAWING				
		APPD Bill Zheng 2013.12.31				DWG NO C-7.006A3
GENERAL TOLERANCE (D)	MATERIAL	CHD David Wang 2013.12.31	P/N: 7.006A3-000-1R0			
DIMENSION .0 ±0.25 .00 ±0.20 .000 ±0.10	ANGLES . ±3° .0 ±2° .00 ±1°	QTY	DRN Tony Tai 2013.12.31	SHEET 1/2	SCALE 1:1	REV B

REV	ECN NO	DESCRIPTION	DATE	APPD
		SEE SHEET 1/2		



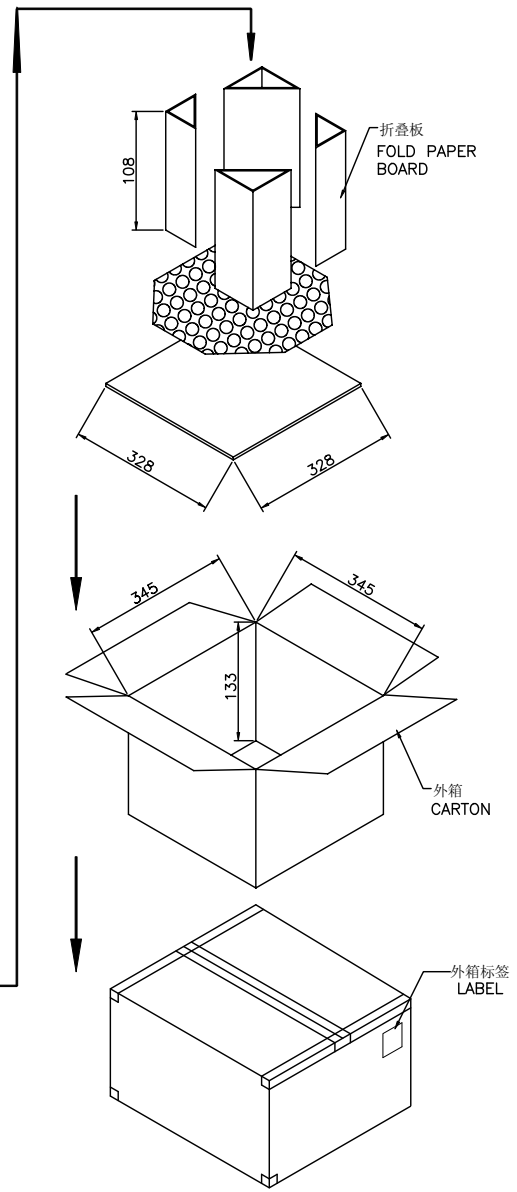
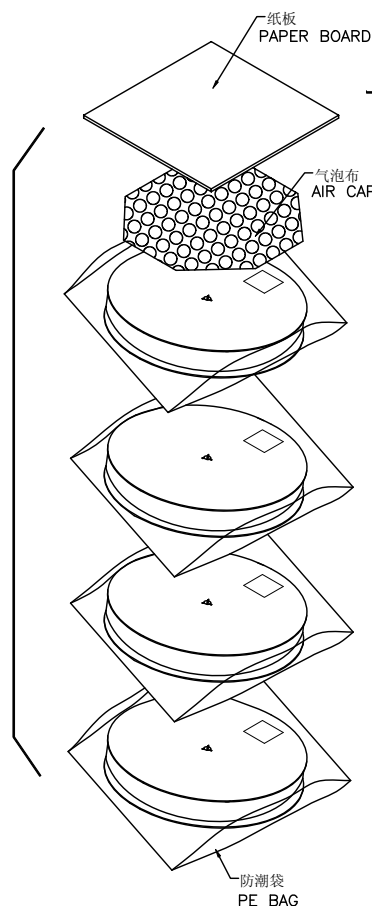
卷盘标签示意图 LABEL



外箱标签示意图 LABEL

1: 包装内容
INFORMATIONS OF THE PACKING

料号 (P/N)	一卷包装数量 Q'TY/REEL	一箱包装数量 Q'TY/CARTON
7.006A3-000-1R0	3000PCS	12000PCS



EXTEND USE		TITLE		DWG NO	
RF SWITCH 3*3 CONNECTOR		7.006A3 CONNECTOR CUSTOMER PACKING		C-7.006A3-P	
UNIT mm		APPD		P/N:	
GENERAL TOLERANCE		Bill Zheng 2019.12.31		7.006A3-000-1R0	
DIMENSION		CHD		SHEET	
. ±0.30	ANGLES ±3'	David Wang 2019.12.31		2/2	
.0 ±0.25	.0 ±2'	DRN		SCALE 1:1	
.00 ±0.20	.00 ±1'	Tony Tai 2019.12.31		REV B	
.000 ±0.10					