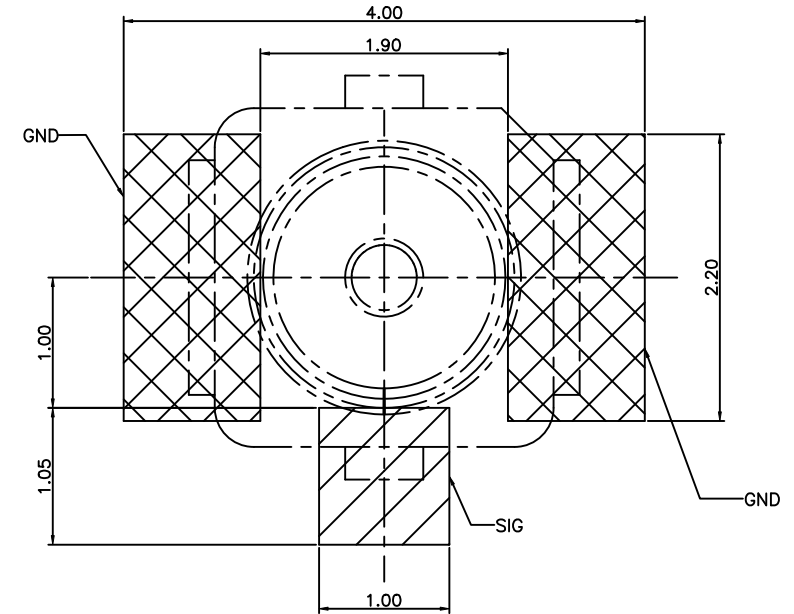
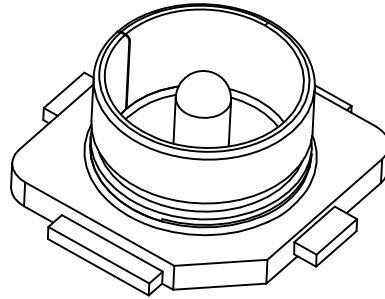
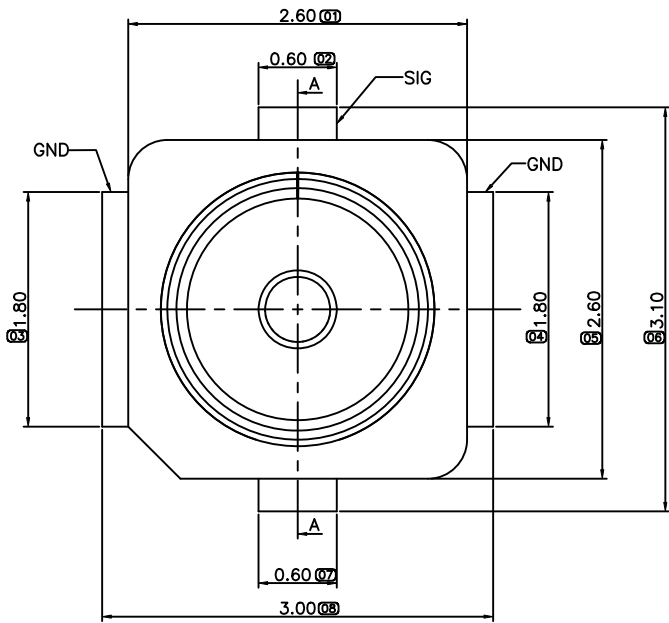
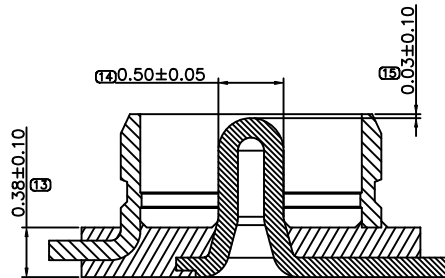
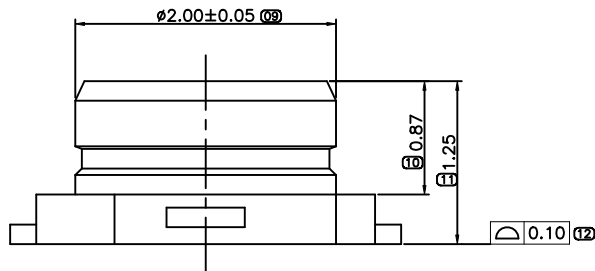


A3

REV	ECN NO	DESCRIPTION	DATE	APPD
A	ECN1208022	INITIAL EDITION	2012.08.11	Ford Liu



RECOMMENDED PCB LAYOUT  
(GENERAL TOLERANCE IS ±0.05)



SECTION: A-A

NOTE:

- MATERIAL:
  - HOUSING: THERMOPLASTIC, COLOR: WHITE, UL 94V-0;
  - CONTACT: COPPER ALLOY, T=0.15mm;
  - SHELL: COPPER ALLOY, T=0.15mm.
- FINISH:
  - CONTACT: 1u" Min. GOLD PLATED ON MATING AREA, 1u" Min. GOLD ON SOLDER TAILS, 1.27um Min NICKEL UNDER PLATED OVER OF THE ALL;
  - SHELL: 1u" Min. GOLD ON THE ALL, 1.27um Min NICKEL PLATED UNDER.
- THE INCOMING MATERIAL, MANUFACTURING PROCESS AND THE SHIPMENT MUST ACCORD WITH THE REQUIREMENT OF FAF JH-GP-213 ENVIRONMENT MANAGEMENT MATERIAL FORBIDDEN USED PROCEDURE.

EXTEND USE		UNIT mm		TITLE		DWG NO	
RF 2.5H REC Connector				7.005A5 Connector Customer Drawing		C-7.005A5	
GENERAL TOLERANCE (M)		MATERIAL		APPD		P/N:	
DIMENSION		QTY		Ford Liu 2012.08.11		7.005A5-000-1R0	
ANGLES		FINISHED		DRN		SHEET SCALE (M) REV	
.0 ±0.30				Eric Zheng 2012.08.11		1/1 1:1 A	
.0 ±0.25							
.00 ±0.20							
.000 ±0.10							

A3

REV	ECN NO	DESCRIPTION	DATE	APPD
A	ECN1208023	INITIAL EDITION	2012.08.11	Ford Liu

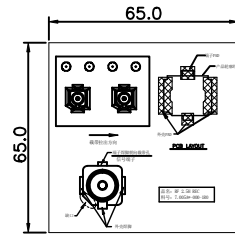
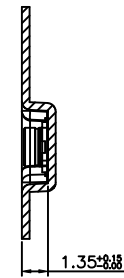
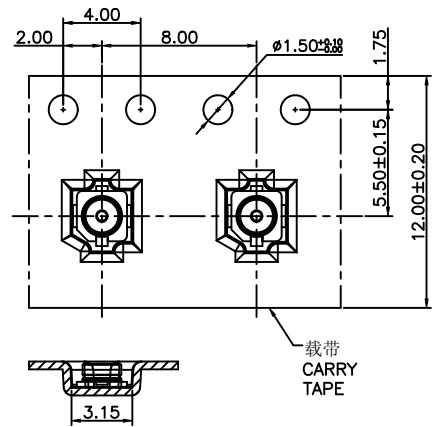
A

B

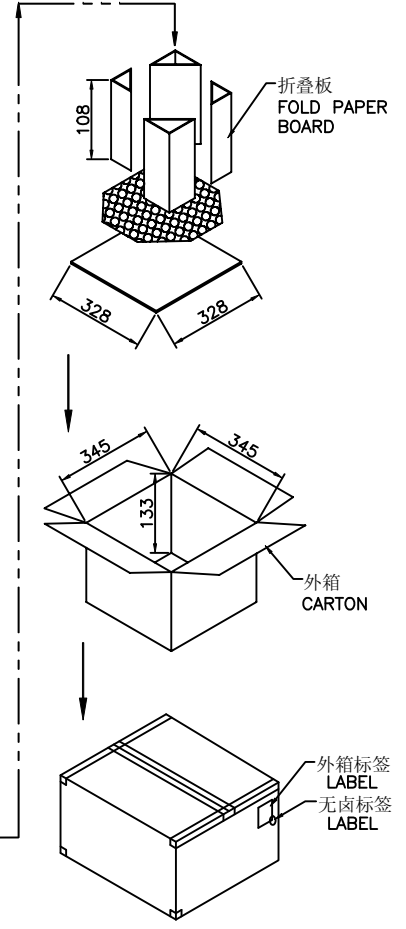
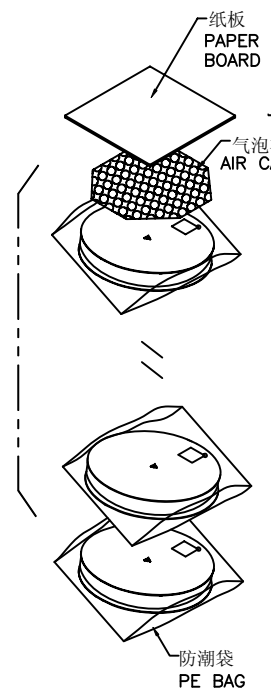
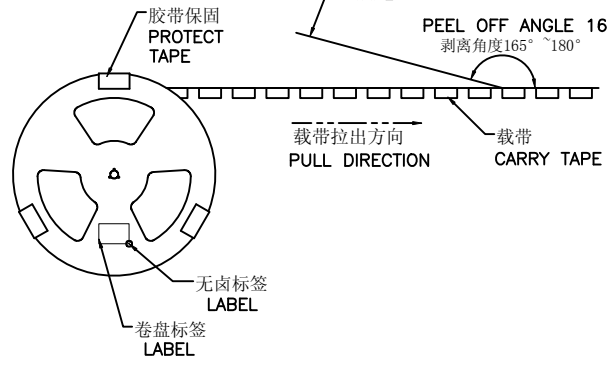
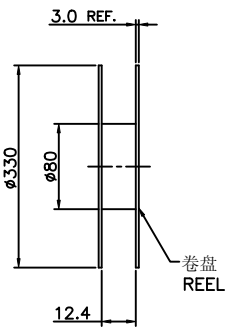
C

D

E



产品放置位置标签 SCALE: 1:5

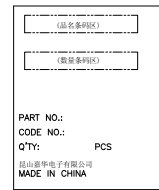


1: 包装内容  
INFORMATIONS OF THE PACKING

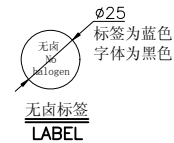
品名 (TITLE)	料号 (P/N)	一卷包装数量 Q'TY/REEL	一箱包装数量 Q'TY/CARTON
7.005A5 Connector	7.005A5-000-1R0	5000PCS	20000PCS



卷盘标签 LABEL



外箱标签 LABEL



无卤标签 LABEL

EXTEND USE RF 2.5H REC Connector		UNIT mm	TITLE 7.005A5 Connector Customer Packing	DWG NO C-7.005A5-P	
GENERAL TOLERANCE ⑦		MATERIAL	APPD Ford Liu 2.009.09.04	P/N: 7.005A5-000-1R0	
DIMENTION	ANGLES	QTY	CHD Eric Zheng 2.009.09.04	SHEET 1/1	
.0 ±0.30	.0 ±3°	FINISHED	DRN Charles Yang 2.009.09.04	SCALE 1:1	REV A
.0 ±0.25	.0 ±2°				
.00 ±0.20	.00 ±1°				
.000 ±0.10					