

PLEASE CHECK WWW.MOLEX.COM FOR LATEST PART INFORMATION

Part Number: [0022041021](#)
Status: **Active**
Overview: [kk](#)
Description: 2.50mm (.098") Pitch Wire-to-Board KK® Header, Vertical, with Friction Ramp, 2 Circuits, Tin (Sn) Plating

Documents:

| | |
|---|--|
| 3D Model | Product Specification PS-5102-002 (PDF) |
| Drawing (PDF) | Product Specification PS-51191-002 (PDF) |
| Product Specification PS-5045-001 (PDF) | Product Specification PS-5251-001 (PDF) |
| Product Specification PS-5045-002 (PDF) | RoHS Certificate of Compliance (PDF) |
| Product Specification PS-5102-001 (PDF) | |

Agency Certification

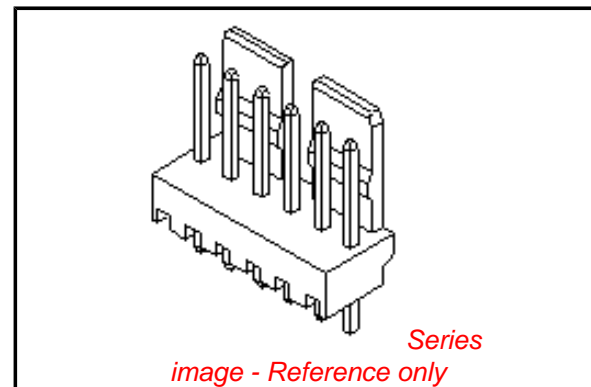
| | |
|-----|-----------|
| CSA | LR19980 |
| TUV | R72090224 |
| UL | E29179 |

General

| | |
|----------------|----------------------|
| Product Family | PCB Headers |
| Series | 5045 |
| Application | Wire-to-Board |
| Overview | kk |
| Product Name | KK® |

Physical

| | |
|--------------------------------|----------|
| Breakaway | No |
| Circuits (Loaded) | 2 |
| Circuits (maximum) | 2 |
| Durability (mating cycles max) | 30 |
| First Mate / Last Break | No |
| Flammability | 94V-0 |
| Glow-Wire Compliant | No |
| Guide to Mating Part | No |
| Keying to Mating Part | None |
| Lock to Mating Part | Yes |
| Material - Plating Mating | Tin |
| Material - Plating Termination | Tin |
| Number of Rows | 1 |
| Orientation | Vertical |
| PC Tail Length (in) | 0.134 In |
| PC Tail Length (mm) | 3.40 mm |
| PCB Locator | No |
| PCB Retention | None |
| PCB Thickness Recommended (in) | 0.062 In |
| PCB Thickness Recommended (mm) | 1.60 mm |
| Packaging Type | Bag |
| Pitch - Mating Interface (in) | 0.098 In |
| Pitch - Mating Interface (mm) | 2.50 mm |
| Plating min: Mating (µin) | 200 |
| Plating min: Mating (µm) | 5 |
| Plating min: Termination (µin) | 200 |
| Plating min: Termination (µm) | 5 |
| Polarized to PCB | No |
| Shrouded | Partial |
| Stackable | No |



EU RoHS

ELV and RoHS Compliant
REACH SVHC Contains SVHC: No
Halogen-Free Status

China RoHS



Not Halogen-Free
Need more information on product environmental compliance?

Email productcompliance@molex.com
 For a multiple part number RoHS Certificate of Compliance, [click here](#)

Please visit the [Contact Us](#) section for any non-product compliance questions.

Search Parts in this Series

[5045Series](#)

Mates With

KK® 2.50mm (.098") housings, [51191](#) , [5051](#)

| | |
|--------------------------------|-----------------|
| Surface Mount Compatible (SMC) | No |
| Temperature Range - Operating | -40°C to +105°C |
| Termination Interface: Style | Through Hole |

Electrical

| | |
|-------------------------------|------|
| Current - Maximum per Contact | 3A |
| Voltage - Maximum | 250V |

Material Info

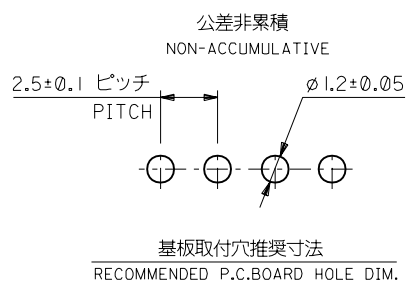
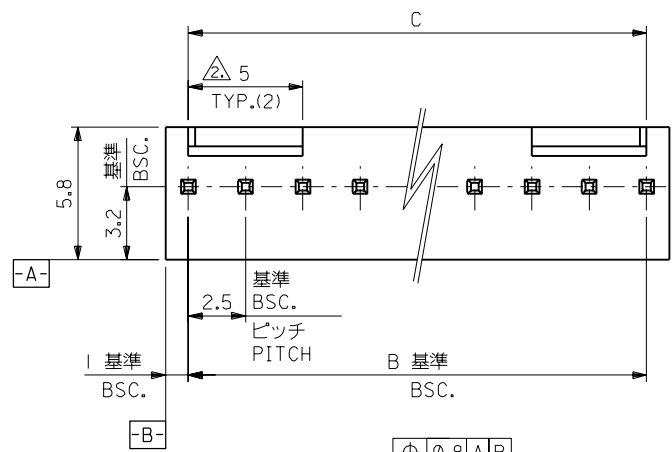
| | |
|-----------------|----------|
| Old Part Number | 5045-02A |
|-----------------|----------|

Reference - Drawing Numbers

| | |
|-------------------------|--|
| Packaging Specification | SPK-5045 |
| Product Specification | PS-5045-001, PS-5045-002, PS-5102-001, PS-5102-002, PS-51191-002, PS-5251-001, RPS-5045-001, RPS-51191-007 |
| Sales Drawing | SD-5045-NA |

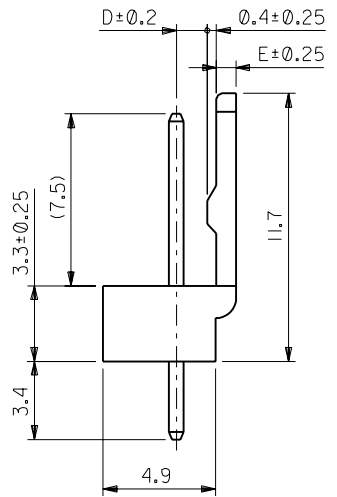
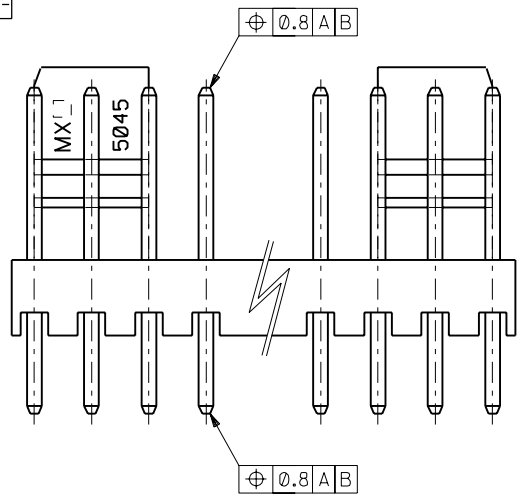
This document was generated on 05/26/2010

PLEASE CHECK WWW.MOLEX.COM FOR LATEST PART INFORMATION



注) NOTE.

1. 材料 MATERIAL
 ピン : 0.635x14.2 黄銅、銅下地錫メッキ
 PIN: 0.635x14.2 BRASS TIN OVER COPPER PLATING.
 ウェハー : ナイロン66, UL 94V-0
 WAFER: NYLON66, UL94V-0
2. 6極以上に適用
 TO BE APPLIED FOR 6 CKT. AND MORE THEN 6 CKT.
3. 5極以下はロック部スリットなし
 NO SLIT IS PROVIDED FOR 5 CKT. AND LESS THAN 5 CKT.



| | | | | | | |
|------|------|---------------------------------------|------|------------|----------|---------|
| 1.35 | 0.85 | 47.5 ^{+0.3} _{-0.45} | 47.5 | 22-04-1201 | 5045-20A | 20 |
| ↑ | ↑ | 45 ^{+0.3} _{-0.45} | 45 | -1191 | -19A | 19 |
| | | 42.5 ^{+0.3} _{-0.45} | 42.5 | -1181 | -18A | 18 |
| | | 40 ^{+0.3} _{-0.45} | 40 | -1171 | -17A | 17 |
| | | 37.5 ^{+0.3} _{-0.45} | 37.5 | -1161 | -16A | 16 |
| | | 35 ^{+0.3} _{-0.45} | 35 | -1151 | -15A | 15 |
| | | 32.5 ^{+0.3} _{-0.45} | 32.5 | -1141 | -14A | 14 |
| | | 30 ^{+0.3} _{-0.45} | 30 | -1131 | -13A | 13 |
| | | 27.5 ^{+0.3} _{-0.45} | 27.5 | -1121 | -12A | 12 |
| | | 25 ^{+0.3} _{-0.45} | 25 | -1111 | -11A | 11 |
| | | 22.5 ^{+0.3} _{-0.45} | 22.5 | -1101 | -10A | 10 |
| | | 20 ^{+0.3} _{-0.45} | 20 | -1091 | -09A | 9 |
| | | 17.5 ^{+0.3} _{-0.45} | 17.5 | -1081 | -08A | 8 |
| | | 15 ^{+0.3} _{-0.45} | 15 | -1071 | -07A | 7 |
| | | 12.5 ^{+0.3} _{-0.45} | 12.5 | -1061 | -06A | 6 |
| | | 10 ^{+0.3} _{-0.45} | 10 | -1051 | -05A | 5 |
| 1.35 | 0.85 | 7.5 ^{+0.3} _{-0.45} | 7.5 | -1041 | -04A | 4 |
| ↓ | ↓ | 5 ^{+0.3} _{-0.45} | 5 | -1031 | -03A | 3 |
| 1.2 | 1 | 2.5 ^{+0.3} _{-0.45} | 2.5 | 22-04-1021 | 5045-02A | 2 |
| D | E | C | B | EDP.NO. | ENG.NO. | 極数 CKT. |

| | | | | | | | | | |
|----------------------------|----------------------------|----------------------------|----------------------------|--|----------------------------------|---|---|--|---|
| 図番 NO. DRWN: CHK: APPR: | 図番 NO. DRWN: CHK: APPR: | 図番 NO. DRWN: CHK: APPR: | 図番 NO. DRWN: CHK: APPR: | REDRAWN 図番 NO. JC2000-0629 DRWN: K.KOHAMA CHK: T.YAMAGUCHI APPR: M.FUKUSHIMA | MATERIAL 材料 注記参照 SEE NOTES | GENERAL TOLERANCES: (UNLESS SPECIFIED) 一般公差 | SCALE 5:1 DESIGN UNITS <input checked="" type="checkbox"/> mm <input type="checkbox"/> INCH | DIMENSIONS: <input type="checkbox"/> mm <input type="checkbox"/> INCH <input checked="" type="checkbox"/> mm ONLY | SHT 1 REV |
| | | | | | FINISH 仕上り // | 10 UNDER 未満 30 OVER 未満 30 OVER 未満 | DRAWN BY & DATE K.KOHAMA 00/3/28 | CHECKED BY & DATE T.YAMAGUCHI 00/3/30 | TITLE: KK 2.5 WAFER ASS'Y WITH LOCK |
| | | | | | WIRE RANGE 通所線線管理 // | ANGLE 角度 +3° | APPROVED BY & DATE M.FUKUSHIMA 00/3/30 | MOLEX INCORPORATED | SHEET NO. 1 |
| | | | | | INS. RANGE 板厚公差 // | CAD FILENAME S5045.S01 | MATERIAL NO. 5045-***A | DRAWING NO. SD-5045-NA | SIZE B |