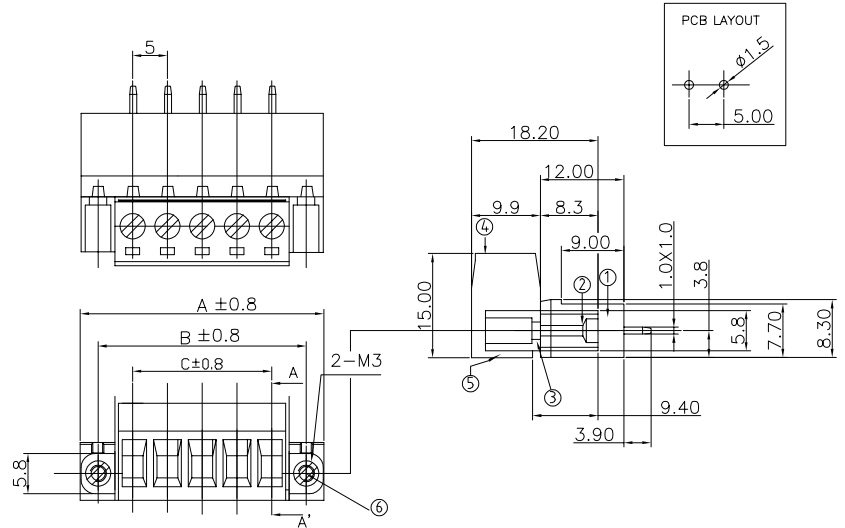


**BR-500DMCH**

(2~10P)



- Rating : 300V 10A
- Insulation Resistance : More Than 500MΩ DC 500V
- Withstand Voltage : AC2500V Per Minute
- Wire Size / Range : AWG12~30
- Maximum Acceptable Temperature : -40°C ~ +105°C

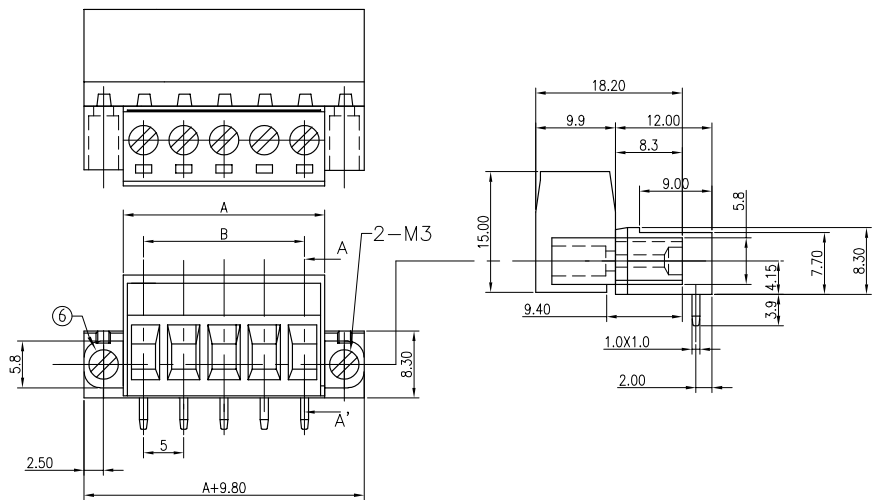
**A-B-C Dimension**

| No | Component Part | Material | Standard | Plated | Remark |
|----|----------------|----------|----------|--------|--------|
| 1  | Frame          | PA.66    | UL94V-0  | -      | -      |
| 2  | Terminal       | BRASS    | C5210    | Sn     | -      |
| 3  | Clamp          | BRASS    | H59      | Ni     | -      |
| 4  | Bolt           | STEEL    | C1018    | Zn     | -      |
| 5  | Cover          | PA.66    | UL94V-0  | -      | -      |
| 6  | Side Bolt      | STEEL    | C1018    | Zn     | -      |
| 7  | INSERT         | BRASS    | C3604    | -      | -      |

| P     | 1 | 2    | 3    | 4    | 5    | 6    | 7    | 8    | 9    | 10   |
|-------|---|------|------|------|------|------|------|------|------|------|
| A±0.8 |   | 19.8 | 24.8 | 29.8 | 34.8 | 39.8 | 44.8 | 49.8 | 54.8 | 59.8 |
| B±0.8 |   | 15   | 20   | 25   | 30   | 35   | 40   | 45   | 50   | 55   |
| C±0.8 |   | 10   | 15   | 20   | 25   | 30   | 35   | 40   | 45   | 50   |

**BR-500DMLH**

(2~10P)



- Rating : 300V 10A
- Insulation Resistance : More Than 500MΩ DC 500V
- Withstand Voltage : AC2500V Per Minute
- Wire Size / Range : AWG12~30
- Maximum Acceptable Temperature : -40°C ~ +105°C

**A-B-C Dimension**

| No | Component Part | Material | Standard | Plated | Remark |
|----|----------------|----------|----------|--------|--------|
| 1  | Frame          | PA.66    | UL94V-0  | -      | -      |
| 2  | Terminal       | BRASS    | C5210    | Sn     | -      |
| 3  | Clamp          | BRASS    | H59      | Ni     | -      |
| 4  | Bolt           | STEEL    | C1018    | Zn     | -      |
| 5  | Cover          | PA.66    | UL94V-0  | -      | -      |
| 6  | Side Bolt      | STEEL    | C1018    | Zn     | -      |
| 7  | INSERT         | BRASS    | C3604    | -      | -      |

| P     | 1 | 2    | 3    | 4    | 5    | 6    | 7    | 8    | 9    | 10   |
|-------|---|------|------|------|------|------|------|------|------|------|
| A±0.8 |   | 19.8 | 24.8 | 29.8 | 34.8 | 39.8 | 44.8 | 49.8 | 54.8 | 59.8 |
| B±0.8 |   | 15   | 20   | 25   | 30   | 35   | 40   | 45   | 50   | 55   |
| C±0.8 |   | 10   | 15   | 20   | 25   | 30   | 35   | 40   | 45   | 50   |