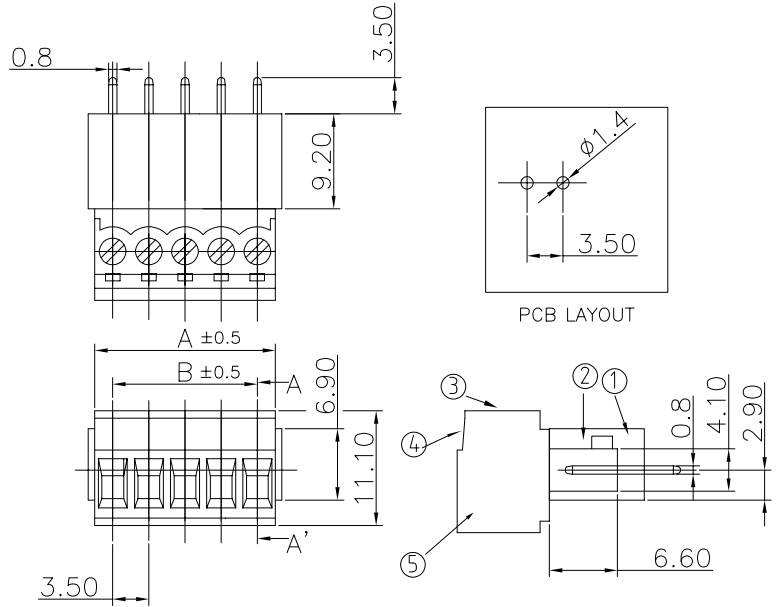


BR-350MCH

(2~10P)



- Rating : 300V 8A
- Insulation Resistance : More Than 1000M Ω DC 500V
- Withstand Voltage : AC2500V Per Minute
- Wire Size / Range : AWG16~30
- Maximum Acceptable Temperature : -40°C ~ +105°C

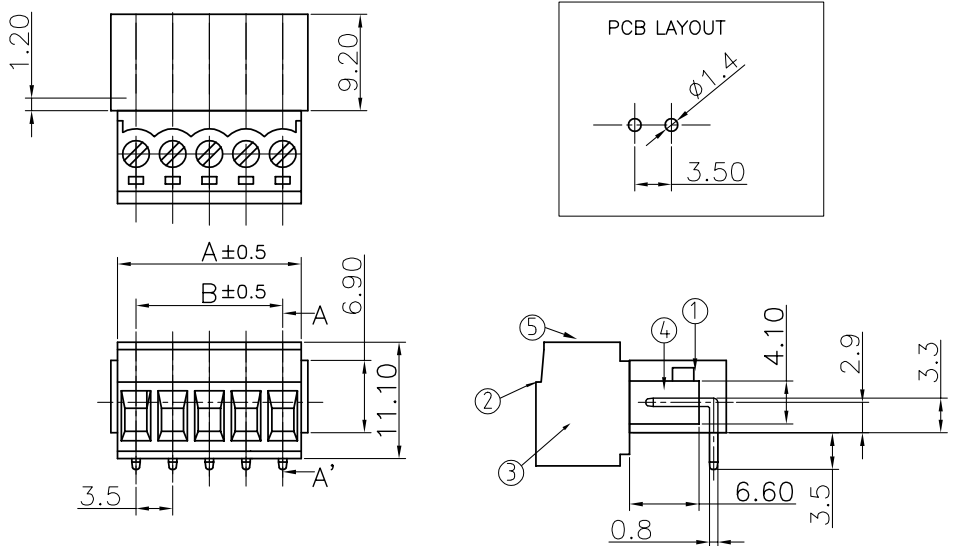
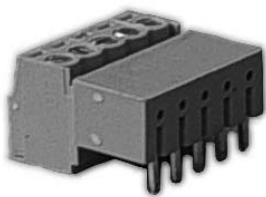
No	Component Part	Material	Standard	Plated	Remark
1	Frame	PA.66	UL94V-0	-	-
2	Cover	PA.66	UL94V-0	-	-
3	Clamp	BRASS	H59	Ni	-
4	Terminal	BRASS	C5210	Sn	-
5	Bolt	STEEL	C1018	Zn	-

A-B Dimension

P	1	2	3	4	5	6	7	8	9	10
A \pm 0.5		8.4	11.9	15.4	18.9	22.4	25.9	29.4	32.9	36.4
B \pm 0.5		3.5	7	10.5	14	17.5	21	24.5	28	31.5

BR-350MLH

(2~10P)



- Rating : 300V 8A
- Insulation Resistance : More Than 1000M Ω DC 500V
- Withstand Voltage : AC2500V Per Minute
- Wire Size / Range : AWG16~30
- Maximum Acceptable Temperature : -40°C ~ +105°C

No	Component Part	Material	Standard	Plated	Remark
1	Frame	PA.66	UL94V-0	-	-
2	Cover	PA.66	UL94V-0	-	-
3	Clamp	BRASS	H59	Ni	-
4	Terminal	BRASS	C5210	Sn	-
5	Bolt	STEEL	C1018	Zn	-

A-B Dimension

P	1	2	3	4	5	6	7	8	9	10
A \pm 0.5		8.4	11.9	15.4	18.9	22.4	25.9	29.4	32.9	36.4
B \pm 0.5		3.5	7	10.5	14	17.5	21	24.5	28	31.5