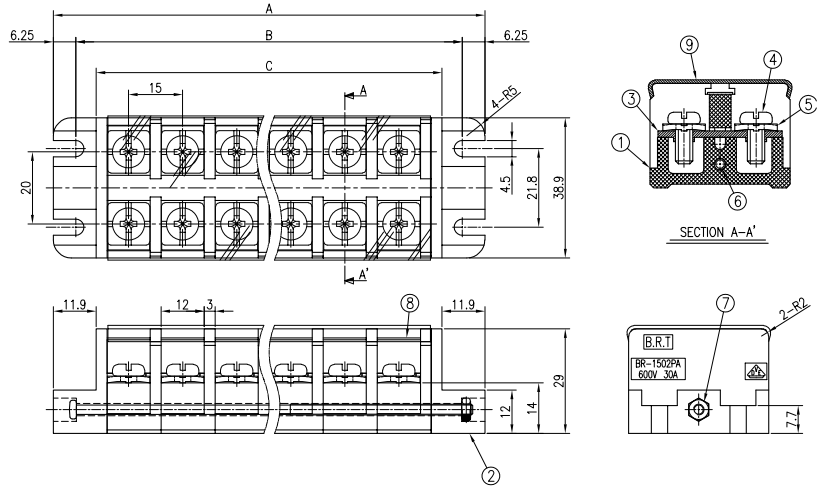


# BR-1502PA

(2~10P)



- Rating : 600V 30A
- Insulation Resistance : More Than 1000MΩ DC 500V
- Withstand Voltage : AC2500V Per Minute
- Wire Size / Range : AWG10 ~ 18
- Maximum Acceptable Temperature : -40°C ~ +85°C

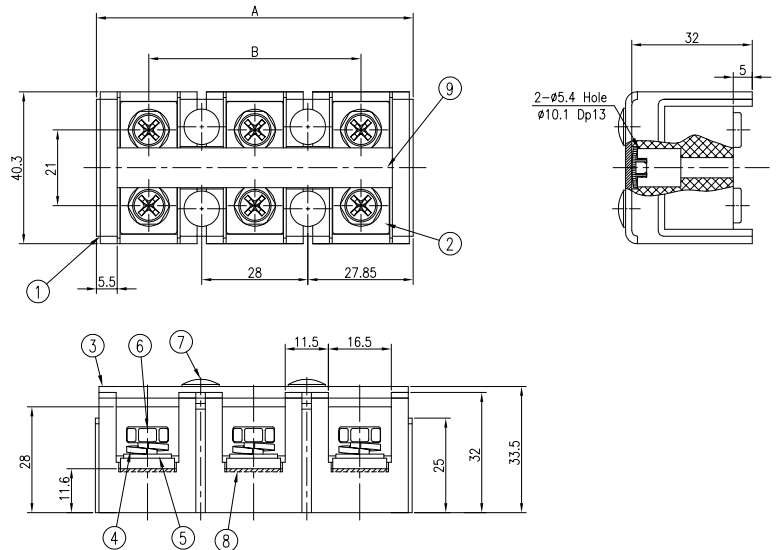
## A-B-C-D Dimension

P	0	2	3	4	5	6	7	8	9	10
A±0.8	-	59.6	74.6	89.6	104.6	119.6	134.6	149.6	164.6	179.6
B±0.8	-	49.1	64.1	79.1	94.1	109.1	124.1	139.1	154.1	169.1
C±0.5	-	35.8	50.8	65.8	80.8	95.8	110.8	125.8	140.8	155.8
D±0.5	-	15	30	45	60	75	90	105	120	135

No	Component Part	Material	Standard	Plated	Remark
1	Frame	P.C.	UL94V-0	-	-
2	Side Cover	P.C.	UL94V-0	-	-
3	Terminal Plate	BRASS	C2680	Ni	-
4	Screw #1	SWCH10A	-	Cr <sup>3+</sup>	M5 * 11
5	Washer	SPCC	-	Ni	□ 11.8 * 11.8
6	Screw #2	SWCH10A	-	Ni	M3 * B
7	Hexagon Nut	SWCH10A	-	Ni	M3 * 0.5
8	Label	P.V.C	-	-	White
9	Cover	P.C.	UL94V-2	-	NAT

# BR-2800PD

(3,4P)



- Rating : 600V 60A
- Insulation Resistance : More Than 1000MΩ DC 500V
- Withstand Voltage : AC2500V Per Minute
- Wire Size / Range : AWG4 ~ 8
- Maximum Acceptable Temperature : -40°C ~ +85°C

## A-B Dimension

P	0	3	4
A±0.8	-	83.5	111.5
B±0.5	-	56	84

No	Component Part	Material	Standard	Plated	Remark
1	Frame	P.C.	UL94V-0	-	-
2	Terminal Plate	BRASS	C2680P	Ni	-
3	Cover	P.C.	UL94HB	-	-
4	Spring Washer	HSWR62	-	Ni	Ø 11
5	Plate Washer	HSWR62	-	Ni	Ø 12.8
6	Screw	SWCH10A	-	Ni	M6 * 12
7	Dot	LDPE	MB9205	Ni	-
8	Insulating Paper	-	-	-	t0.8
9	Marking Plate	P.V.C.	-	-	t0.8

※ 조립식 단자대는 경우에 따라 수축(또는 조립) 공차가 발생할 수 있습니다.