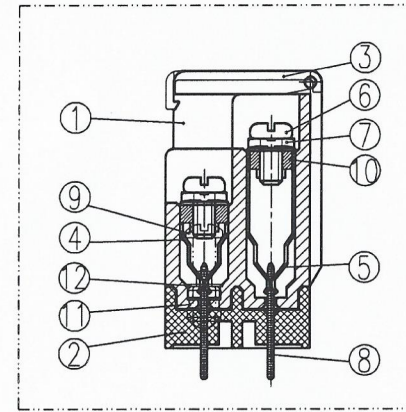
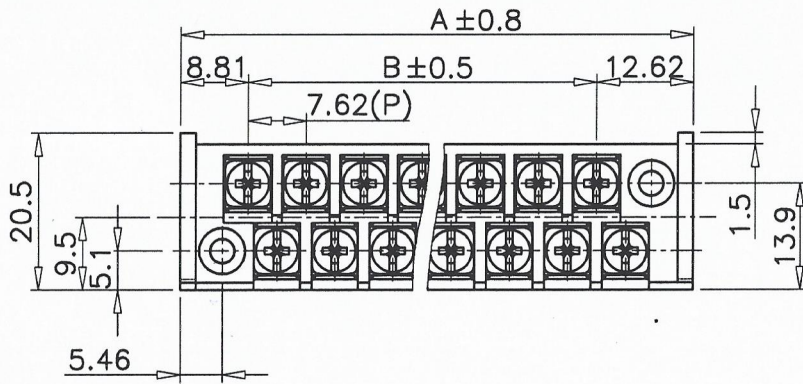


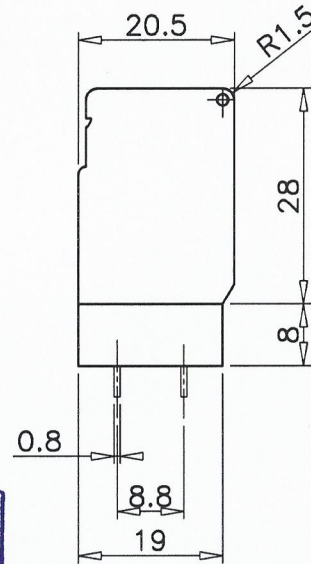
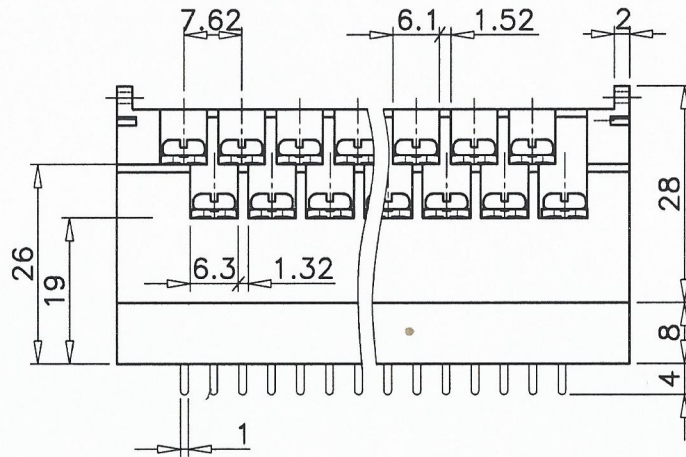
| | | | | | | | | | | | | | | | | | |
|-----|-------|-------|-------|-------|-------|-------|-------|-------|--------|--------|--------|--------|--------|--------|--------|--------|--------|
| PIN | 8 | 10 | 12 | 14 | 16 | 18 | 20 | 22 | 24 | 26 | 28 | 30 | 32 | 34 | 36 | 38 | 40 |
| A | 44.29 | 51.91 | 59.53 | 67.15 | 74.77 | 82.39 | 90.01 | 97.63 | 105.25 | 112.87 | 120.49 | 128.11 | 135.73 | 143.35 | 150.97 | 158.59 | 166.21 |
| B | 22.86 | 30.48 | 38.10 | 45.72 | 53.34 | 60.96 | 68.58 | 76.20 | 83.82 | 91.44 | 99.06 | 106.68 | 114.30 | 121.92 | 129.54 | 137.16 | 144.78 |

| N O | DATE | DESCRIPTION | REMARK |
|-----|------|-------------|--------|
| △ | | | |
| △ | | | |

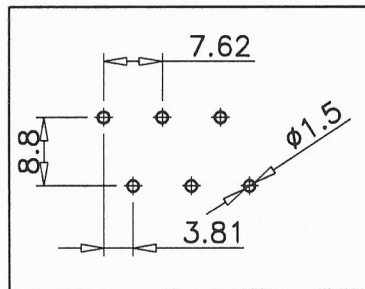


| COMMERCIAL TOLERANCE | |
|----------------------|-----------|
| DIVISION OF DIM | TOLERANCE |
| 0.5 to 3 | ±0.12 |
| over 3 to 6 | ± 0.16 |
| over 6 to 10 | ± 0.18 |
| over 10 to 18 | ± 0.22 |
| over 18 to 30 | ± 0.25 |
| over 30 to 50 | ± 0.3 |
| over 50 to 80 | ± 0.35 |
| over 80 to 120 | ± 0.45 |
| ANGLE | ± 1.0° |

SEC ASS'Y



원본도



P.C.B LAYOUT

| No. | PART NAME | MATERIAL | Q'TY | REMARKS | FINISH |
|-----|--------------|----------|------|-------------|--------|
| 12 | E-RING | STEEL | 2 | φ5.0x0.4 | Ni |
| 11 | INSERT NUT | BRASS | 2 | M3X4.5X5.5 | Ni |
| 10 | HEXAGON NUT | STEEL | — | ○M3X5.4 | Ni |
| 9 | LOCK SCREW | STEEL | 2 | M3X11.3 | 흑색색 |
| 8 | TERMINAL PIN | BRASS | — | C2680 t0.8 | Sn |
| 7 | WASHER | STEEL | — | □6X6X1 | Ni |
| 6 | SCREW | STEEL | — | M3 X 6 | Ni |
| 5 | TERMINAL#2 | PBSS | — | C5210 t0.4 | Au |
| 4 | TERMINAL#1 | PBSS | — | C5210 t0.4 | Au |
| 3 | COVER | PC | 1 | UL94-V0 | 투명 |
| 2 | BASE | PBT | 1 | UL94-V0 G30 | BLACK |
| 1 | FRAME | PBT | 1 | UL94-V0 G30 | BLACK |

| DRAWN | CHECKED | APPROVED | THIRD ANGLE PROJECTION | | |
|----------|---------|----------|------------------------|------|-------|
| Y.S.KIM | | | DATE. | UNIT | SCALE |
| 06.11.03 | 20.2.20 | | 2006.11.03 | MM | 1:1 |

| | |
|-------|------------|
| TITLE | BR - 76202 |
|-------|------------|



BEE-RYONG ELECTRONICS CO., LTD.

PART No.
DWG No.