

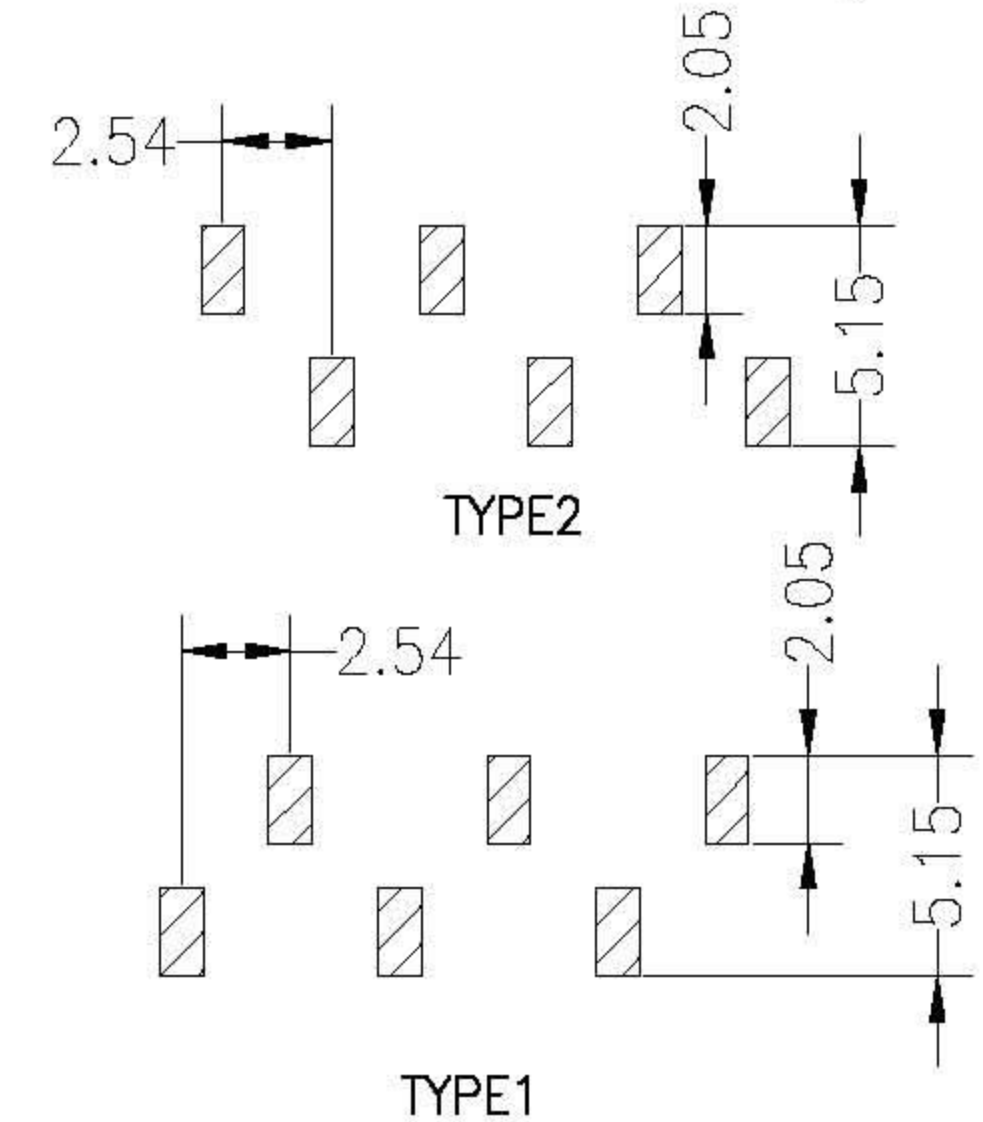
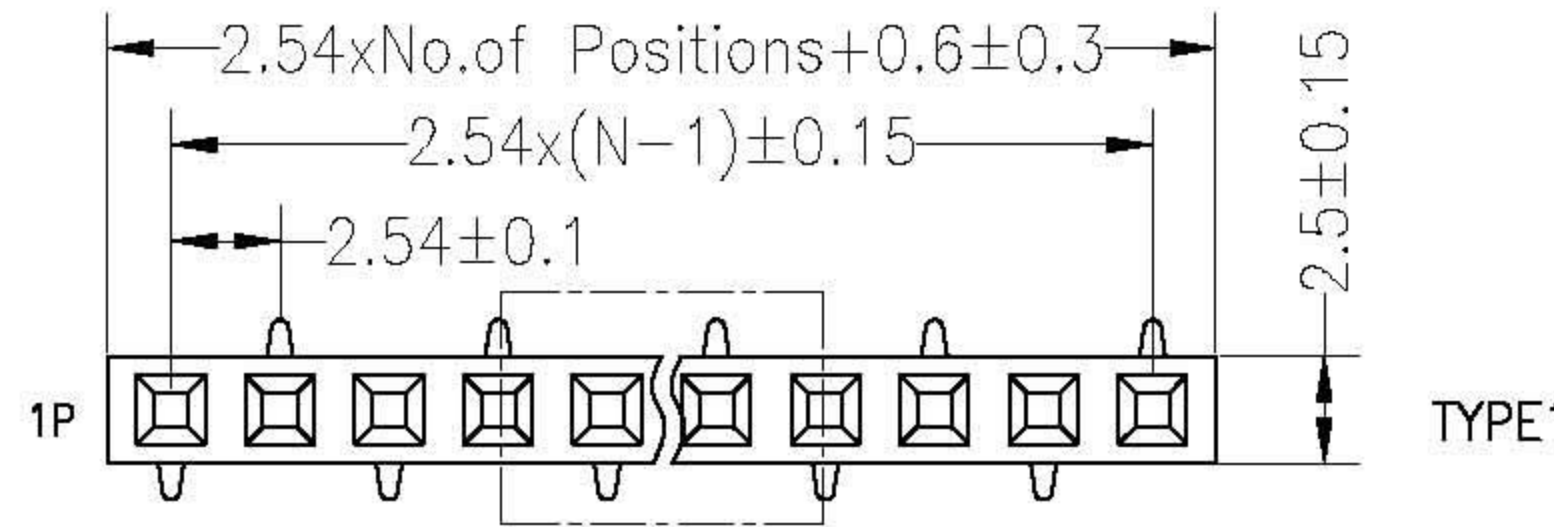
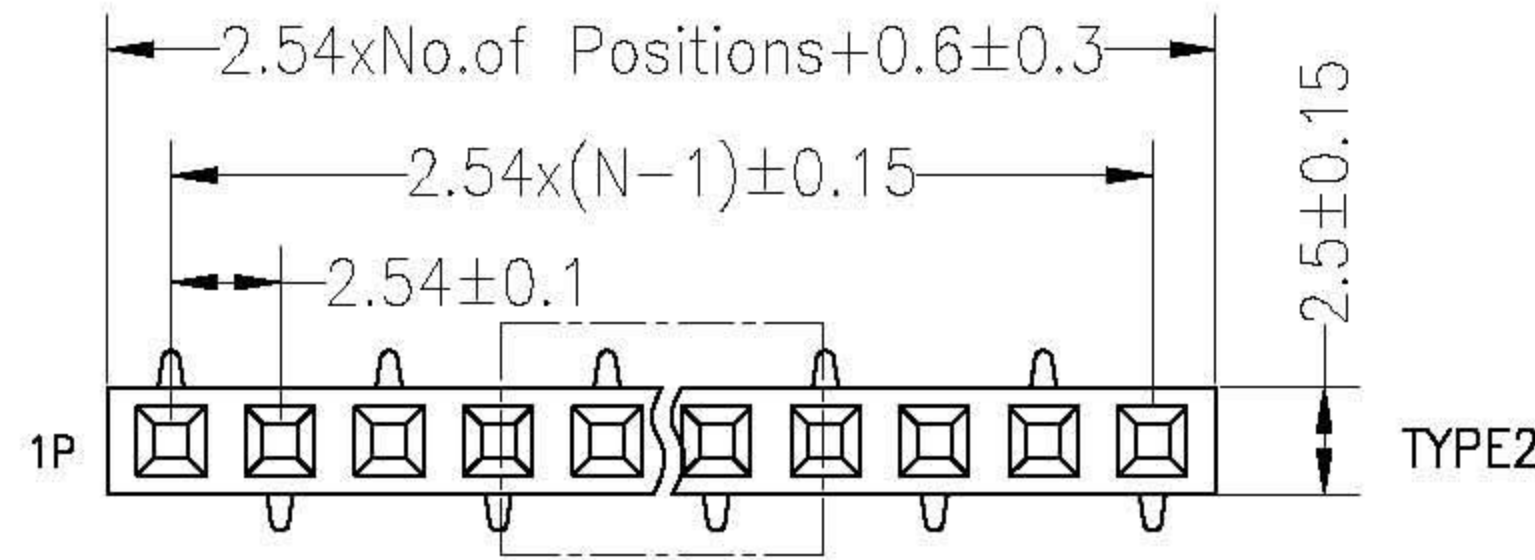


SPECIFICATIONS

Rated Current:3.0AMP
 Contact Resistance:20mΩ Max
 Withstand Voltage:1000V AC/DC
 Insulation Resistance:1000MΩ Min
 Operation Temperature:-40°C to +105°C

Contact Material:Brass
 Contact Plating:Au or Sn Over Ni
 Insulator Material:Polyester(UL94V-0)
 Standard: PA6T
 Max.Processing Temp: 230°C for 30-60 seconds
 (260°C for 10 seconds)

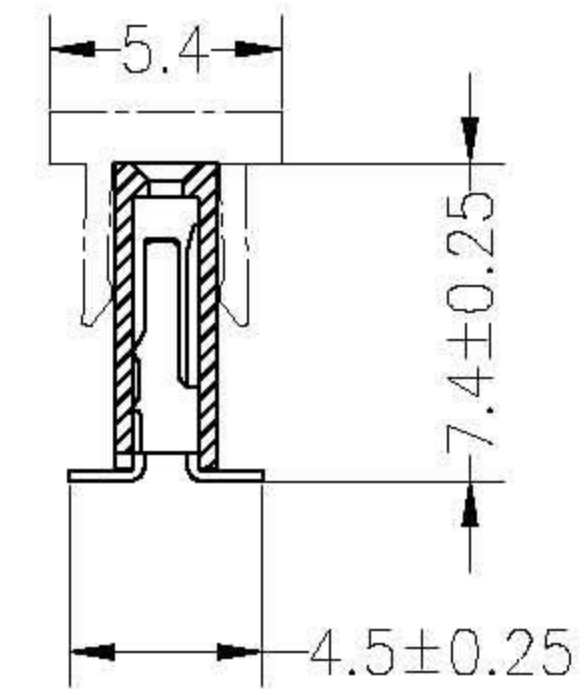
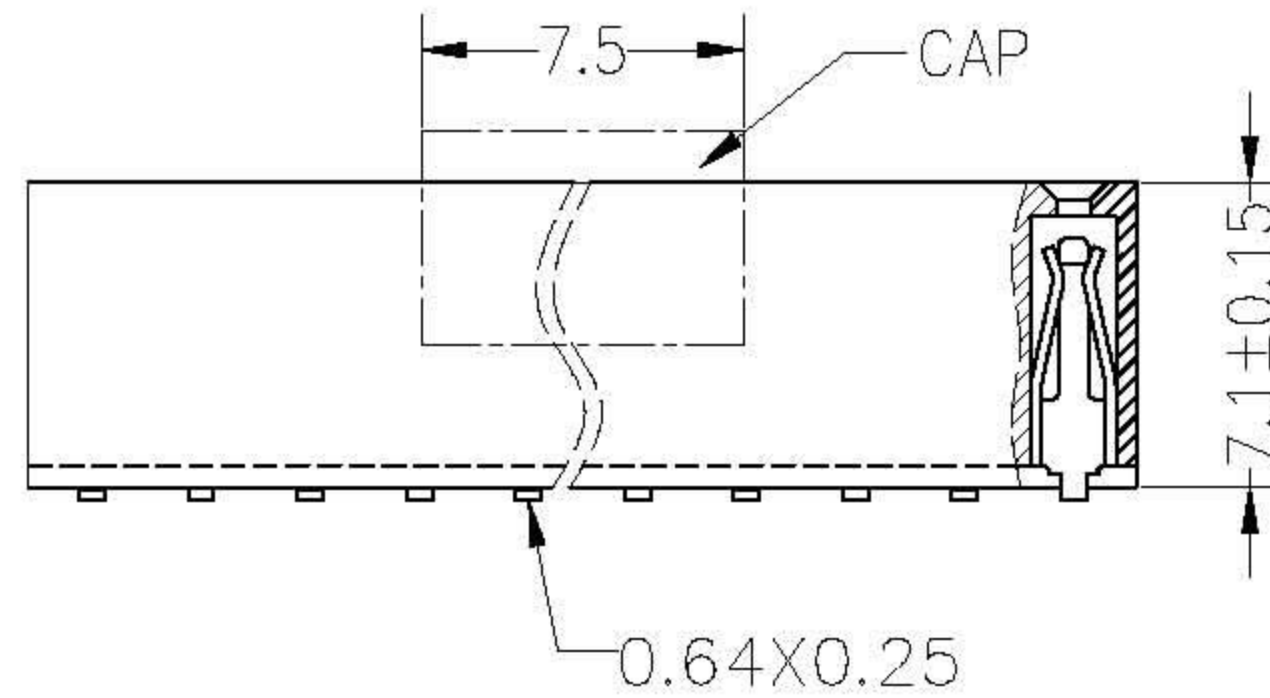
Recommended P.C.B Layout(Top Side)
 (PCB BOARD TOLERANCE±0.05)



Ordering Information

2271 01 XX X N XX M U X 0X(1,2)

- No.of Pins Per Row 1*40
- Insulator Material Option: A=BK-PBT, B=BK-PA66, C=BK-PA6T, D=BK-PA46, F=BK-LCP
- Contact Plating: G0:Gold Flash, G2:5U" Gold, G3:10U" Gold, G4:15U" Gold, G5:30U" Gold, S0:Gold Flash/Tin, SN:Tin
- Packing: O=PE Bag, A=Tray, T=Tube, P=Tube+Cap, R=Reel+Cap, M=Reel+Mylar



				OPERATION		DRAW	YiYuSheng	12.04.18	SCALE	FIT	BLUECON INTERNATIONAL CHINA.CO.		
				X.X	±0.30				UNIT	mm			
				X.XX	±0.20	CHECK	SIZE	A4	PART NO.	227101XXXNXXMUX0X(1,2)			
				X.XXX	±0.10		SHEET	1/1	TITLE:	2.54PF H7.1mm 1xNpin SMT			
A0	2012.04.18	NEW DRAWING		Angle	±3°	APPROVE		PROJ.	◆				
REV	DATE	MODIFICATION DESCRIPTION		DIM	TOL								