

대전력 제동 저항기 PRV 1600W – 2800W

The PRV(V=Vertical) 1600–2800 watt models are metal-clad, wire-wound, high-power resistors designed for industrial and other applications.

Our extruded aluminum housing provides rugged and strong protection.

These models are available with Tab terminals. The most common applications for these models are motor drives, braking and snubbed applications and power sources for industrial equipment.

General Specifications

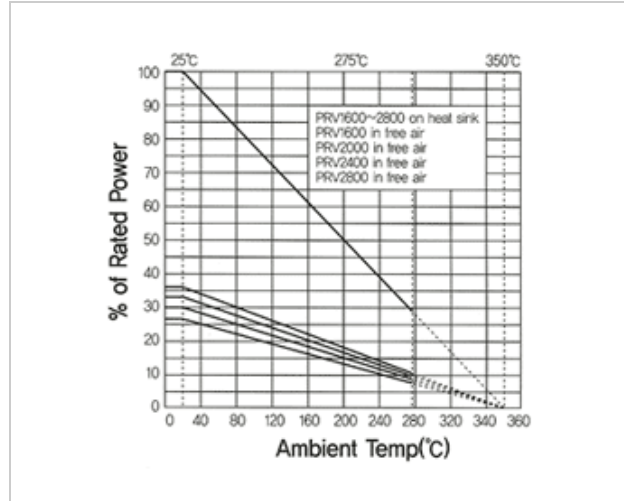
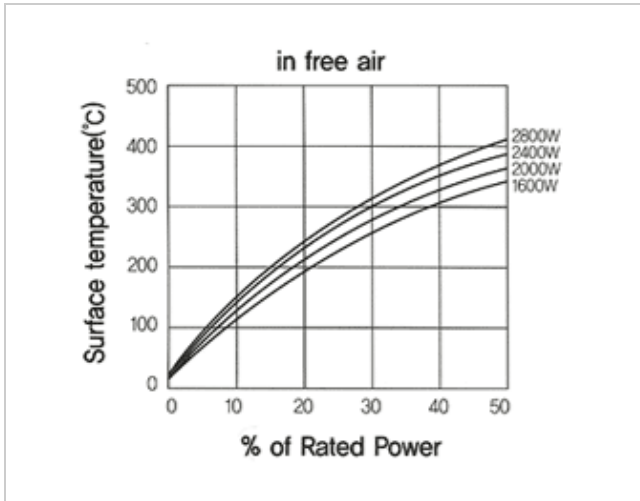
Model	Rated Power		Resistance Range[Ω]	Resistance Tolerance
	With Heat Sink	In Free Air	Inductive	
PRV 1600	1600W	590W	1.0 – 76	F[±1%] J[±5%] K[±10%]
PRV 2000	2000W	660W	1.0 – 86	
PRV 2400	2400W	740W	1.0 – 92	
PRV 2800	2800W	750W	1.0 – 96	

Characteristics

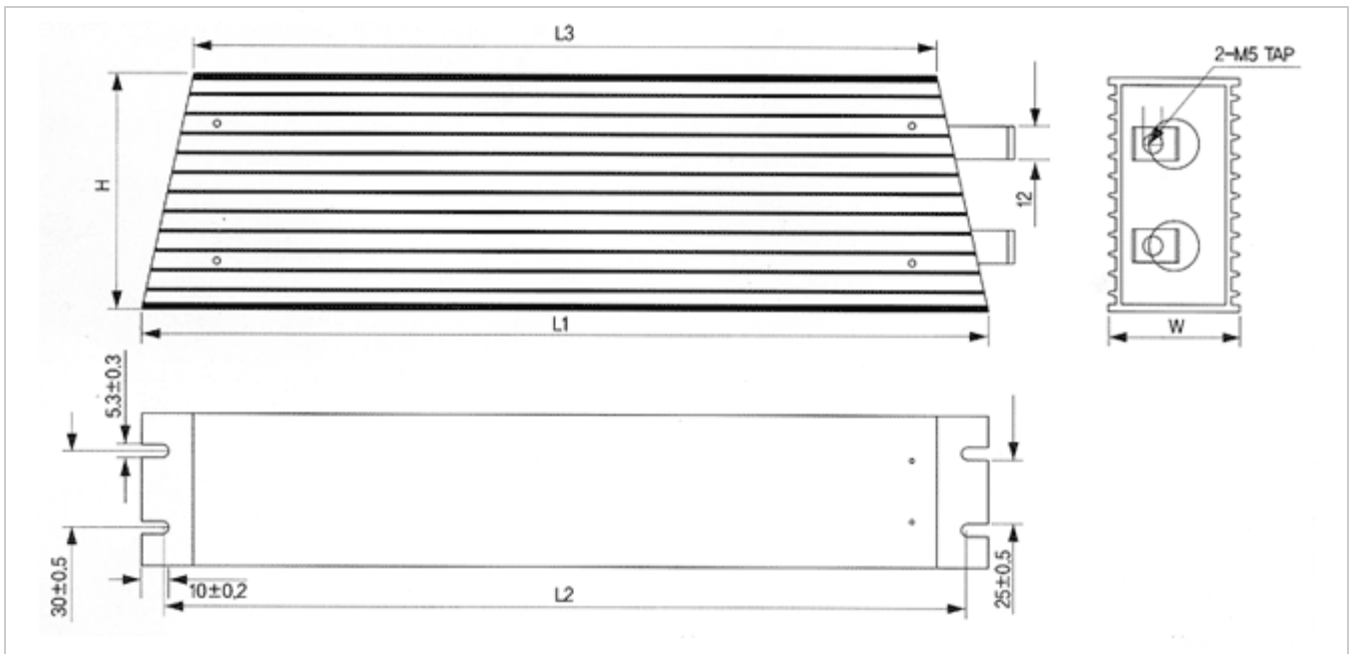
Temperature Range	-55℃~280℃
Insulation Resistance	20MΩ minimum
Dielectric Withstanding Voltage	Available options : AC 1500V, 2500V, 3500V, 4500V for 1minute, (Max leakage current : 2mA)
Temp. Coefficient	±260ppm/℃
Short Time Overload	±[3%+0.05Ω] 5-10 x power rating - in 5 seconds
Moisture Resistance	±[3%+0.05Ω] 40℃, 95%RH, DC100V case to terminal(500hrs)
Thermal Shock	±[5%+0.05Ω] Power rating 30 min., -40℃, 15minutes
Vibration	±[2%+0.05Ω] 10Hz - 55Hz - 10Hz(1min.), 2hrs each direction
Moisture Load Life	±[3%+0.05Ω] 40℃, 95%RH, 0.1x POWER rating, 1.5h.on, 30min. off, 500hours.
Load Life	±[5%+0.05Ω] Power rating 1.5h. on, 30min. off, 500hours.

Values in [] mean change in Ω after test

Surface Temperature Curves & Derating Curves



Dimensions



Model	Dimensions [mm]					Weight [kg]
	$L1 \pm 2$	$L2 \pm 2$	$L3 \pm 2$	$H \pm 1$	$W \pm 0.5$	
PRV 1600	330	315	290	92	60	2.5
PRV 2000	440	425	400	92	60	3.4
PRV 2400	480	465	440	92	60	3.7
PRV 2800	550	535	510	92	60	4.3

UNI RESISTORS (UNIKOR)