

**전력형 메탈클레드저항기 RHT/A 25W - 50W**

Molded construction gives complete environmental protection.  
 "RH" is housed aluminum Resistor.  
 Screw mounts on chassis to utilize heat-sink effect.  
 Designed to utilize heat sink effect of chassis.

Military equipment, motor control circuit, loader, UPS, AVR  
 Battery charge, precision measurement.  
 방산장비, 전동지게차, 방전용, 로드용, 모터제동장비, 계측장비

**Rating**

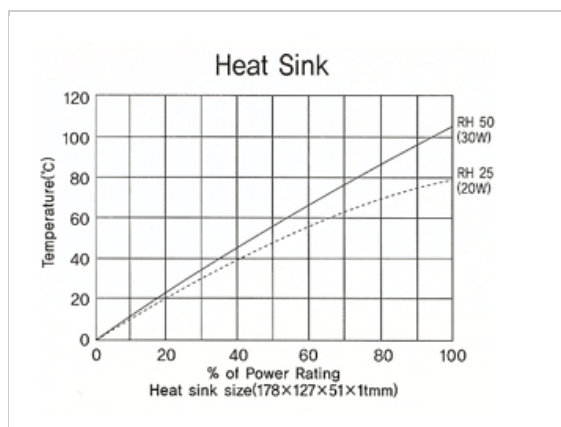
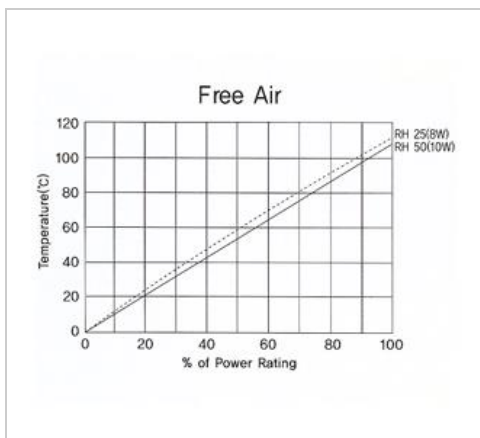
Model	Element Type	Power Rating(25°C)		Resistance Range (Ω)		Resistance Tolerance(%)
		with Heat Sink	Free Air	Inductive	Non-Inductive	
RH 25	Wire wound	20W	8W	0.02 ~ 25KΩ	0.1 - 10KΩ	±0.5(D) ±1(F)
RH 50	Wire wound	30W	10W	0.05 ~ 50KΩ	0.2 - 20KΩ	±2(G) ±5(J)

· 30W on heat sink(178X127X51X1 mm), 50W on heat sink(310X310X2 mm)

**Typical Performance**

Temperature Range	-55°C ~ +250°C
Insulation Resistance	20MΩ minimum
Dielectric Strength	AC 1500V. Maximum leakage current : 2mA
Short Time Overload	±[1%+0.05Ω] 5 x Power rating 5sec
Load Life	±[2%+0.05Ω] Power rating 1.5h. on. 30Min, off 1000Hours.
Thermal Shock	±[1%+0.05Ω] Power rating 30Min, -55°C, 15~30Minutes

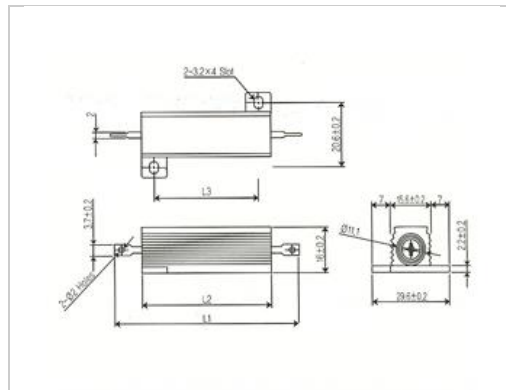
**Surface Temperature Increase Versus Power Load**



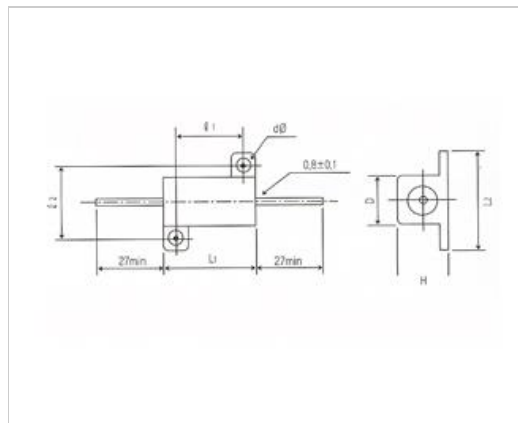
## RHT - Type

### • Dimensions

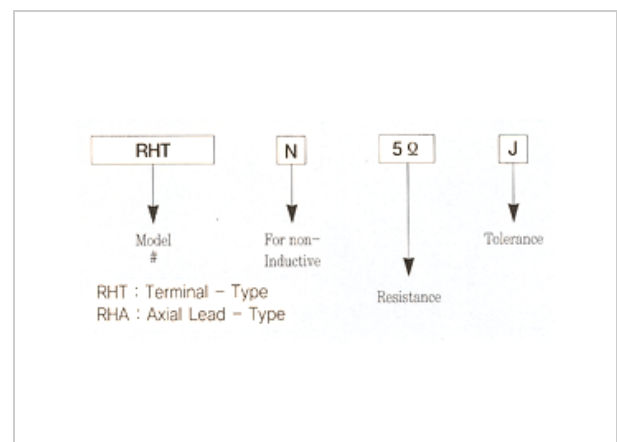
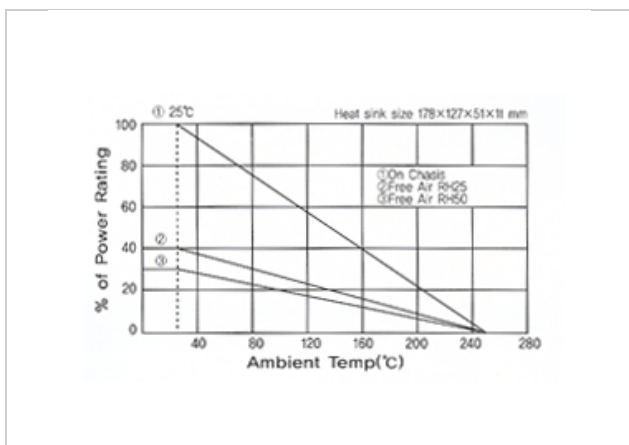
Model	Dimensions			Weight(g)
	L1±0.2	L2±0.15	L3±0.2	
RHT 25	49.4	27.1	18.3	16.5
RHT 50	70.8	49.3	39.7	35



Model	Dimensions(mm)						
	L1±1	L2±0.8	ℓ1±0.8	ℓ2±0.8	D±1	H±0.8	d±0.3
RHA 25	27.1	29.6	18.3	19.8	15.2	15.7	2~3.2 x 4 Slot
RHA 50	49.3	29.6	39.7	19.8	15.2	15.7	2~3.2 x 4 Slot



## Derating Curve and Ordering Procedure Example



**UNI RESISTOR (UNIKOR)**