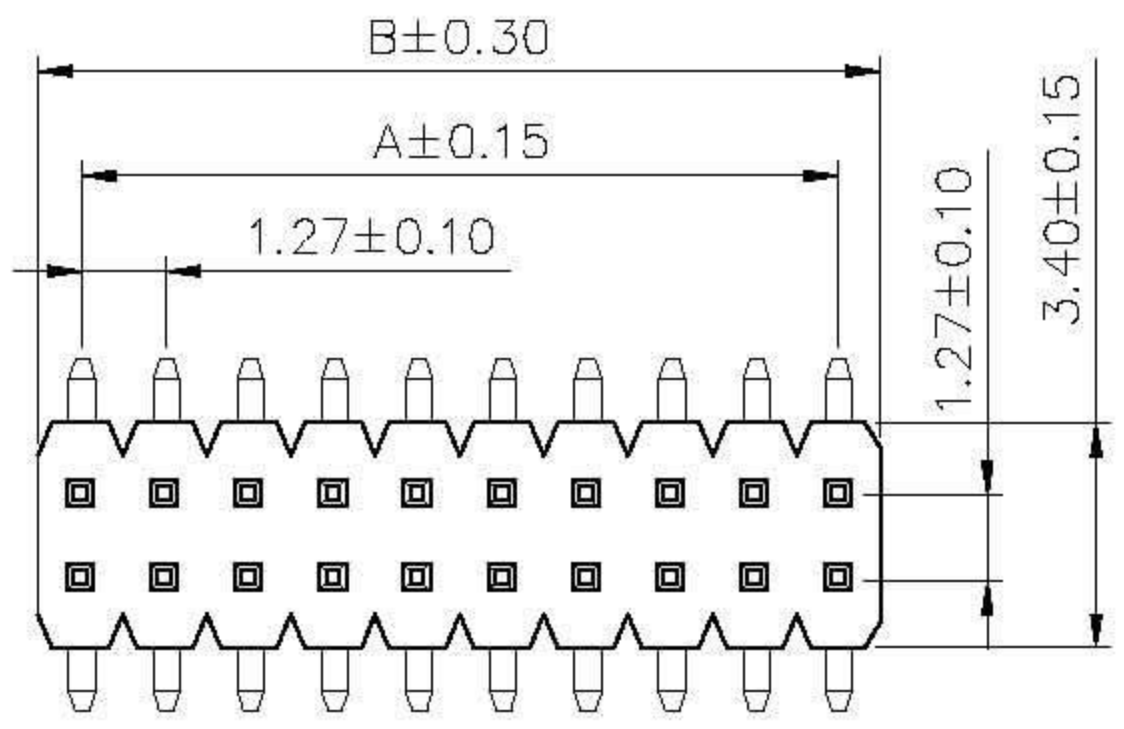


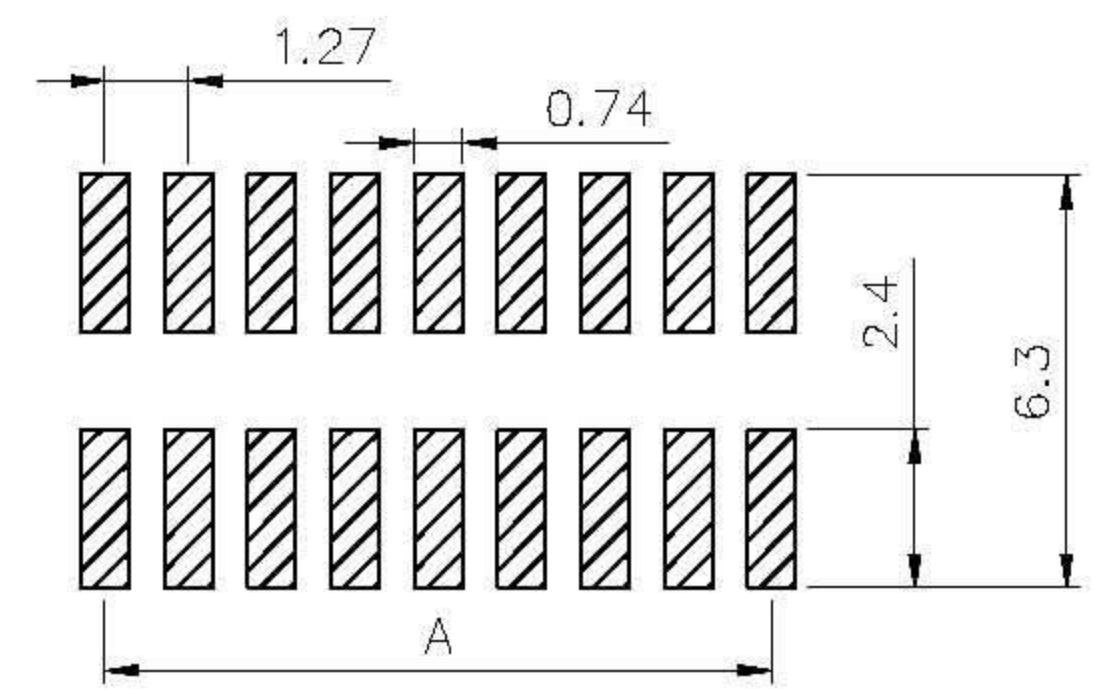
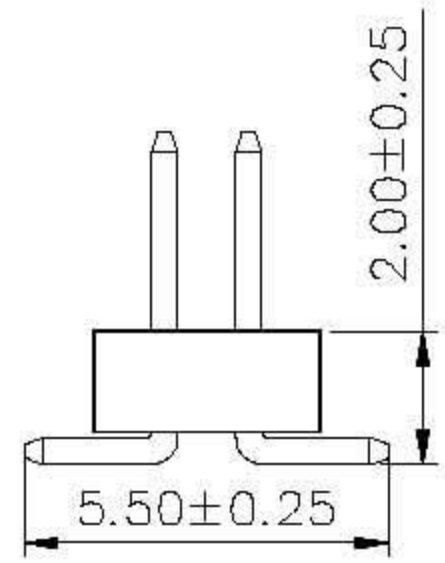
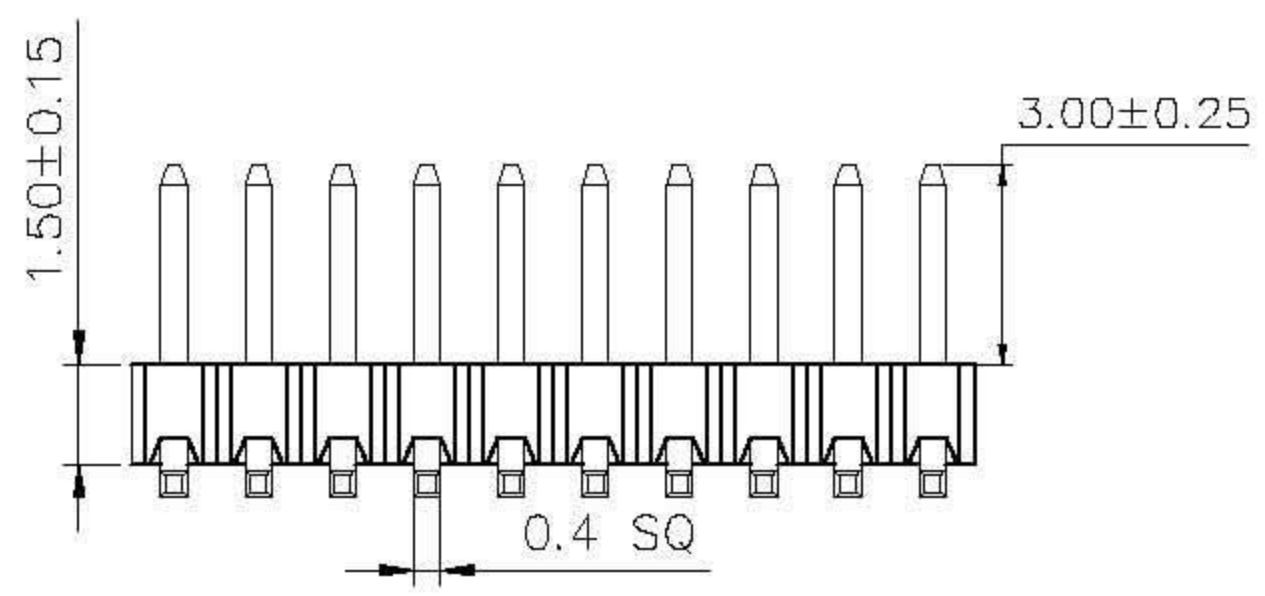
1 2 3 4 5 6 7 8 9

<b>A</b>	1.27 x No. of Contacts-1.27
<b>B</b>	1.27 x No. of Positions



**SPECIFICATIONS**

Current Rating: 1 Amps  
 Withstanding Voltage: AC 500V  
 Insulation Resistance: 1000MΩ Min  
 Contact Resistance: 20mΩ Max  
 Operation Temperature: -40° to +105°  
 Insulator Material: Polyester (UL94V-0)  
 Standard: 6T  
 Contact Material: Brass  
 Contact Plating: Au or Sn over 50u" Ni  
 Max. Processing Temp: 230° C for 30-60 seconds  
 (260° C for 5 seconds)



**1415 2 XX G0 X M 01**

**RECOMMEND P. C. BOARD LAYOUT**  
 PCB TOLERANCE: ±0.05 (TOP VIEW)

<b>Plastics Height</b> 10=1.0mm 15=1.5mm 20=2.0mm 25=2.5mm . .	<b>No. of Rows</b> 1=Single Row 2=Dual Row . . .	<b>No. of Pins Per Row</b> 2X50 2-100 . . .	<b>Contact Plating</b> SN: Tin G0: Gold Flash G2: 5U" Gold G3: 10U" Gold G4: 15U" Gold G5: 30U" Gold S0: Gold Flash/Tin Standard: G0	<b>Insulator Material Option</b> A BK-PBT B BK-PA66 C BK-PA6T D BK-PA46 F BK-LCP S Special	<b>Connector Type</b> S= Straight R= Right Angle M= SMT . . .
--	---	--	--	--	---

**JiLN**® 深圳市锦凌电子有限公司  
 SHENZHEN JINLING ELECTRONIC CO.,LTD  
 Tel: 86-755-2997-5806/5802 Fax: 86-755-2997-5992

UNLESS OTHERWISE SPECIFIED TOLERANCE		DRAWN NAME:			
X : ±0.3	X' : ±5°	1.27PH 2xPin HL.5 L=6.5 SMT			
LX : ±0.2	LX' : ±1°	SIZE	SCALE	N:1	PROCT NO.
LXK : ±0.1	LXK' : ±0.5°	REV	UNIT	DATE	PROJECT
DATE:	王惠明	CHECKED:		APPROVED:	
DATE:	21/04/12	DATE:		DATE:	

1 2 3 4 5 6 7 8 9