

Index

| | |
|-------------------------------------|----|
| 1. Description | 4 |
| 2. Electrical Specification | 4 |
| 3. Protection | 5 |
| 4. Reliability | 5 |
| 5. Environment | 6 |
| 6. Safety and EMI Requirement | 7 |
| 7. Test Equipment List | 8 |
| 8. Mechanical Requirement | 8 |
| 9. label | 10 |
| 10. Package Drawing | 11 |

MODEL NO.:

KYTD65W01

DESIGNED NO.:

KYT-826 65W

1. Description

This specification apply to the Switching power whose model No. Is KYTD65W01 , which has a high efficiency and reliability, and have the over voltage, over current and short circuit function.

2. Electrical Specification

2.1 INPUT SPECIFICATION

| | |
|-----------------------|--|
| Input voltage range | 90Vac - 264Vac |
| Rated voltage | 100Vac / 240Vac |
| Input frequency range | 47Hz - 63Hz |
| Rated input frequency | 50Hz / 60Hz |
| No Load Input Power | 0.1W max. @ no loading, rated voltage |
| Inrush current | 50A type peak @ 220Vac Input, cold start |

2.2 OUTPUT SPECIFICATION

2.2.1 Rated Output

| | Rated Output Voltage (Vdc) | Output Voltage Range (Vdc) | Output Ripple & Noise (mV) | Rated Output Current (A) |
|---------|----------------------------|----------------------------|----------------------------|--------------------------|
| Type-C1 | 5.0 | 4.75-5.25 | ≤200 | 3.0A |
| | 9.0 | 8.55-9.45 | ≤200 | 3.0A |
| | 12.0 | 11.4-12.6 | ≤200 | 3.0A |
| | 15.0 | 14.25-15.75 | ≤200 | 3.0A |
| | 20.0 | 19.0-21.0 | ≤200 | 3.25A |
| USB-A1 | 5.0 | 4.75-5.25 | ≤200 | 3.0A |
| | 9.0 | 8.55-9.45 | ≤200 | 2.0A |
| | 12.0 | 11.4-12.6 | ≤200 | 1.5A |
| Type-C2 | 5.0 | 4.75-5.25 | ≤200 | 3.0A |
| | 9.0 | 8.55-9.45 | ≤200 | 2.22A |
| | 12.0 | 11.4-12.6 | ≤200 | 1.67A |

Notes: The test condition as with oscilloscope with bandwidth 20MHz . A 10uF E-cap and 0.1uF ceramic-cap shall be connected to the connector in parallel.

2.2.2 Output Overshoot At Turn On & Turn Off

| Rated Output Voltage (Vdc) | Proportion of the output voltage overshoot | |
|----------------------------|--|----------|
| | Turn on | Turn off |
| 5.0 | 10% | 10% |
| 9.0 | 10% | 10% |
| 12.0 | 10% | 10% |
| 15.0 | 10% | 10% |
| 20.0 | 10% | 10% |

Note: The test condition as : All of output Current from Min to Max

MODEL NO.:

KYTD65W01

DESIGNED NO.:

KYT-826 65W

2.2.3 Combined Load / Line Regulation

| Rated Output Voltage (Vdc) | Min. Loading | Rated. Loading | Line Regulation | Load Regulation |
|----------------------------|--------------|----------------|-----------------|-----------------|
| 5.0 | 0A | 3.0A | ±3% | ±5% |
| 9.0 | 0A | 3.0A | ±3% | ±5% |
| 12.0 | 0A | 3.0A | ±3% | ±5% |
| 15.0 | 0A | 3.0A | ±3% | ±5% |
| 20.0 | 0A | 3.25A | ±3% | ±5% |

MODEL NO.:

KYTD65W01

DESIGNED NO.:

KYT-826 65W

2.2.4 Turn on delay time:

3 Second Max. at 115Vac input and output Max. load.

2.2.5 Rise time:

40mS Max. at 115Vac input and output Max. load.

2.2.6 Hold up time:

10mS Min. at 115Vac input and output Min. Load.

2.2.7 Average Efficiency:

In the regular voltage, The output current is at 25%, 50%, 75% and full load cases,

The average efficiency of $\cong 81.3\%$ (warm up 30 minutes) , Which meet the standards of energy efficiency level VI.

3. Protection Feature

3.1 Output Short circuit protection:

Input voltage 90V/60Hz and 264VAC/50Hz, when the output is full and the electronic load is set to CC mode, when the output is short-circuited and the short circuit lasts for 3 seconds, the input power is less than 5W; when the short circuit is released, the output voltage can be 3 The power supply automatically recovers in seconds.

3.2 Over current Protection:

Input rated voltage, electronic load setting CC mode, OCP current range: $\geq 110\%$ -150%, when the output is overcurrent, the product enters the protection state; when the overcurrent is released, the output voltage can be automatically restored within 3 seconds. normal.

4. Reliability Requirements

4.1. Burn-in

The power supply shall be burn-in for 2-4 Hours under normal input and 80% rated load at $40^{\circ}\text{C} \pm 5^{\circ}\text{C}$

4.2. MTBF Qualification

The MTBF shall be at least **20,000**hours at 25°C , Full load and nominal input condition

| | | | |
|------------|-----------|---------------|-------------|
| MODEL NO.: | KYTD65W01 | DESIGNED NO.: | KYT-826 65W |
|------------|-----------|---------------|-------------|

5. Environment Requirement

5.1 Operating Temperature: 0°C-35°C

5.2 Storage Temperature: -40°C to 85°C

5.3 Relative Humidity: Relative Humidity 25%-90%, Non -Condensing

5.4 Storage Humidity: Relative Humidity 10%-90%, Non-Condensing

5.5 Vibration

5.5.1. Operating Standard: IEC 721-3-3 3M3

5-9Hz, A=1.5mm 9~200Hz, Acceleration 5m/S

5.5.2. Transportation: IEC 721-3-2 2M2

5-9Hz, A=3.5mm

9~200Hz, Acceleration=5m/S 200~500Hz, Acceleration=15m/S

5.5.3. Axes, 10 cycles per axis:

No permanent damage may occur during testing, and The product can restore to its original situation after power off / on.

5.6 Dropping Packed:

After the Dropping test (1 corner, 1 edges, and 1 surfaces, Height:100cm, 3times), function well.

MODEL NO.:

KYTD65W01

DESIGNED NO.:

KYT-826 65W

6. Safety and EMI Requirement:

6.1 safety: accord with:

| certificate | Country | standards | |
|---|-----------|---------------------|--|
| <input type="checkbox"/> UL/CUL | USA | UL60065 | |
| <input type="checkbox"/> UL/CUL | USA | UL60950 | |
| <input type="checkbox"/> TUV/GS | Europe | EN60065 | |
| <input type="checkbox"/> TUV/GS | Europe | EN60950 | |
| <input type="checkbox"/> FCC | USA | Class B | |
| <input type="checkbox"/> CE | Europe | EN60065 | |
| <input type="checkbox"/> CE | Europe | EN62368 | |
| <input type="checkbox"/> MEPS | Australia | AS/NZS 4665 | |
| <input type="checkbox"/> SAA | Australia | AS/NZS 60065 | |
| <input type="checkbox"/> SAA | Australia | AS/NZS 60950 | |
| <input type="checkbox"/> CCC | China | GB8898 | |
| <input type="checkbox"/> CCC | China | GB4943 | |
| <input type="checkbox"/> PSE | Japan | J60950 (H22) | |
| <input type="checkbox"/> CB | Europe | IEC60065 | |
| <input type="checkbox"/> CB | Europe | IEC60950 | |
| <input type="checkbox"/> C-TICK | Australia | AS/NZS CISPR13:2004 | |
| <input type="checkbox"/> EK/KC | Korea | K60065 | |
| <input checked="" type="checkbox"/> EK/KC | Korea | K60950 | |

6.2 EMI STANDARD: Meets the Limits

6.2.1. Fcc class B rules

6.2.2. EN55032 class B rules

6.3 Dielectric Strength Testing: Dielectric strength to meet the requirements under the table

6.3.1 HI-POT TEST:

| ITEM | SPECIFICATION | REMARK |
|----------------------|-----------------|-----------|
| Primary to Secondary | 3000Vac/5mA/60S | No arcing |
| Primary to P.G | 1500Vac/5mA/60S | No arcing |
| Secondary to P.G | — | — |

Note: before testing, input L/N short circuit, make output positive and negative short circuit and connected.

6.3.2. Isolation Test : Input to output 500Vdc/2Sec, isolation resistance > 50M ohm

Note: at the test, input L/N short circuit, make output positive and negative short circuit

| | | | |
|------------|-----------|---------------|-------------|
| MODEL NO.: | KYTD65W01 | DESIGNED NO.: | KYT-826 65W |
|------------|-----------|---------------|-------------|

7. Test Equipment List

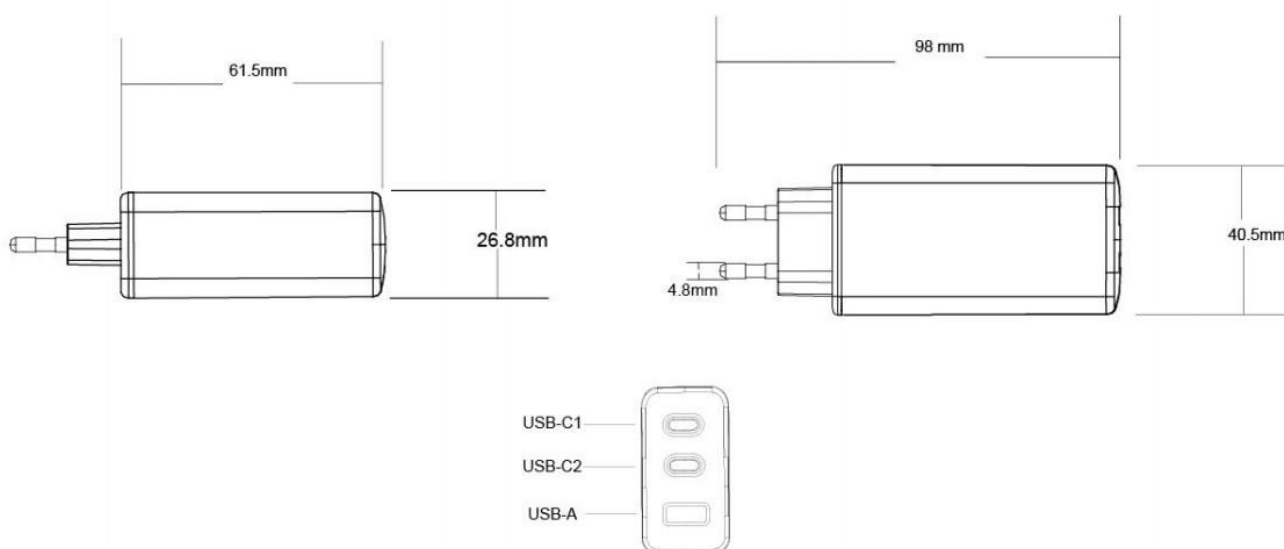
| ITEM | Equipment Name | Manufacture | Model |
|------|-----------------------------|-------------|----------|
| 1 | AC power source | Chroma | 6120 |
| 2 | Oscilloscope | Tektronix | TDS1002B |
| 3 | Electronic load | TET | T3515 |
| 4 | Multimeter | FLUCK | 87III |
| 5 | Dynamometer | Chroma | 2100 |
| 6 | hermograph | LUTRON | TW-902C |
| 7 | Plug lead bend test machine | | LX-817 |
| 8 | Saltsprayingtester | | LX-8827B |
| 9 | Vibration table | | FZD-25 |
| 10 | Drop test bed | | |
| 11 | Digimatic caliper | | 0-150mm |

8. MECHANICAL REQUIREMENT:

8.1 Enclosure:

The power supply size: L * W * H =98 mm * 40.5 mm * 26.8 mm ;

;



MODEL NO.:

KYTD65W01

DESIGNED NO.:

KYT-826 65W

9. label

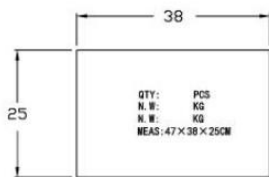
USB-C PD Adapter
모 델 명:KYTD65W01
정격입력:100-240V ~ 50/60Hz 1.5A Max
정격출력:
C1:5V/3A 9V/3A 12V/3A 15V/3A 20V/3.25A
C2:5V/3A 9V/2.22A 12V/1.67A
A1:5V/3A 9V/2A 12V/1.5A
C1&C2:C1 45W+C2 20W
C1&A1:45W+18W C2&A1:5V3A
C1+C2+A1:(C2+A)5V3A+C1 45W
PPS:3.3-11V/3.0A,3.3-21V/3.0A
인증번호: 제조년월: A/S연락처:
MADE IN CHINA



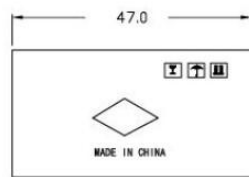
| | | | |
|------------|-----------|---------------|-------------|
| MODEL NO.: | KYTD65W01 | DESIGNED NO.: | KYT-826 65W |
|------------|-----------|---------------|-------------|

10. Package Drawing

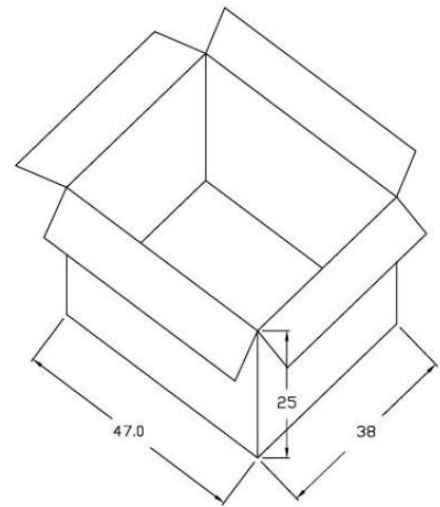
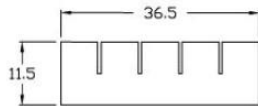
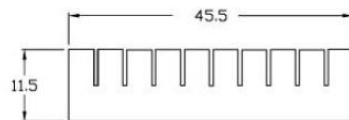
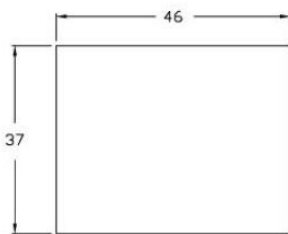
200PCS



侧视



正视



PACKING:

Our own packing style will be adopted if no special packing required .

a Inner package

PO bag

b Outer package

paper-box.

Size: 47×38×25cm, 1sheet 46X37cm

c Outer package notes include the information

Customer Name, LOT Number, Model No., Date, and so on.

MODEL NO.:

KYTD65W01

DESIGNED NO.:

KYT-826 65W