

SBM0625

(BLDC Vibrator Motor)



******* Features and uses *******

- **SBM0625 is BLDC Vibrator Motor. This is not DC Motor.**
- **When DC 3.0V is applied, the motor rotates and vibrates.**
- **There are no brushes, so there is little electrical or mechanical noise.**
- **It has excellent lifespan characteristics compared to DC motors.**
- **There is double-sided tape on the bottom and the wires are connected.**
- **Be careful not to connect the power in reverse.**

***** Specification *****

1. Operation Conditions

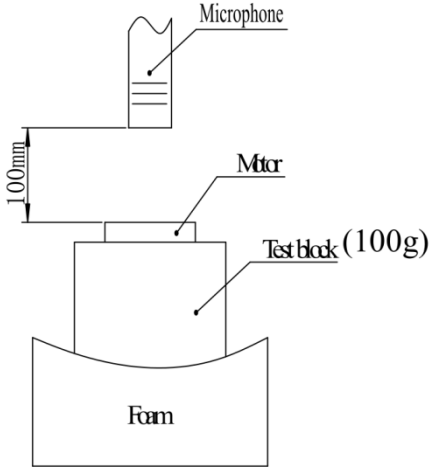
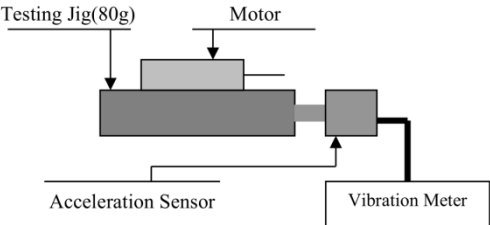
Item		Specification
1-1	Rated voltage	3.0V DC
1-2	Operating voltage	2.7~3.3V DC
1-3	Rotation	CW(clockwise) Lead Wire Red(+), Blue(-) Based on connecting lead wire Red(+), Black(-)
1-4	Operating environment	-20~+60°C, 10~90%RH
1-5	Storage environment	-30~+70°C, 10~90%RH

2. Initial Electrical Characteristics

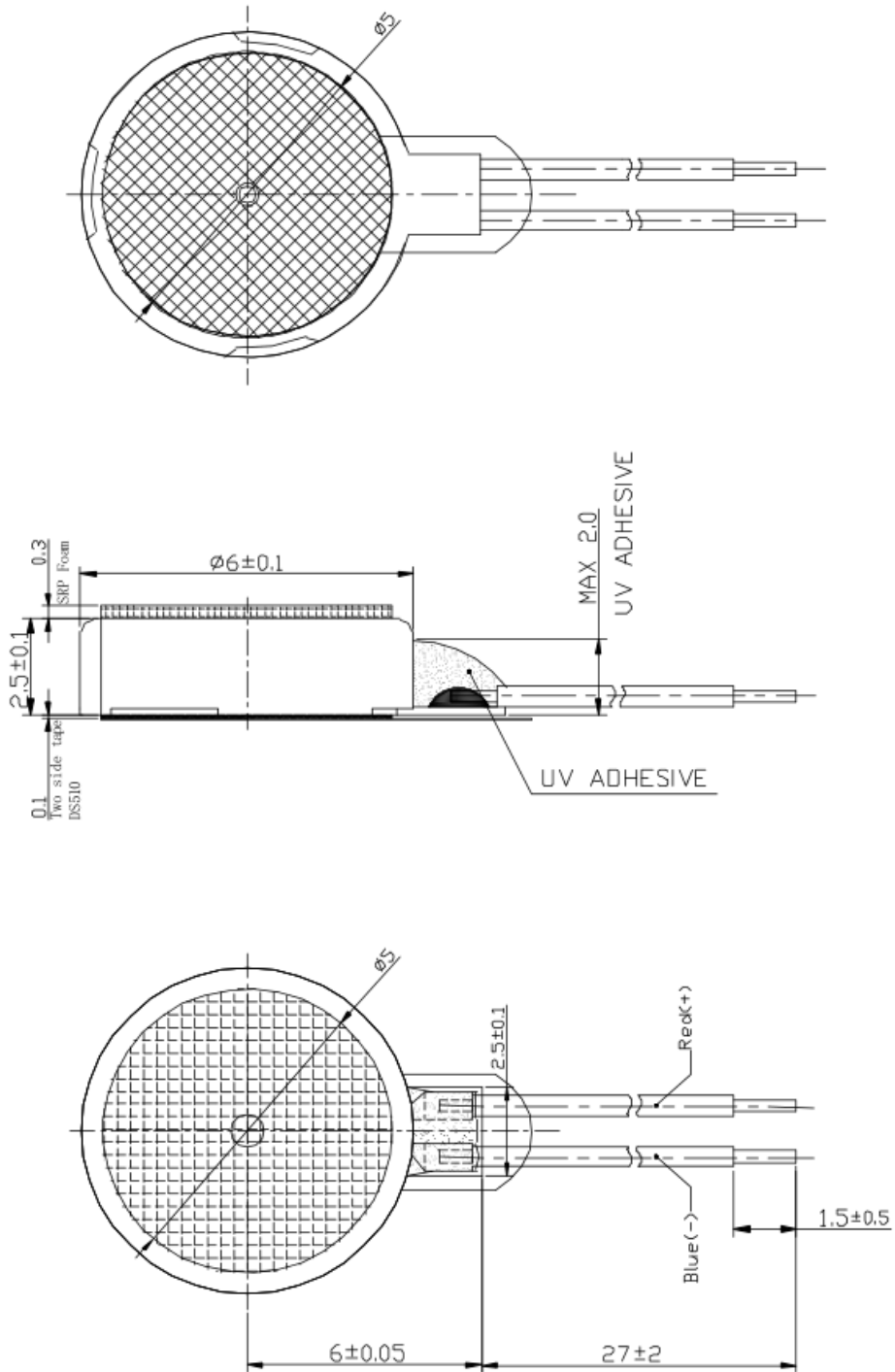
Item		Specification	Condition
2-1	Rated Speed	10000 rpm Min	At rated voltage and rated load
2-2	Rated Current	80 mA Max	
2-3	Starting Current	175 mA Max	Motor is rotating at min starting voltage
2-4	Starting Voltage	2.5V DC Max	

***** Specification *****

3. Mechanical Characteristics

Item		Specification	Test environment
3-1	Mechanical noise	$\leq 50\text{dB (A)}$	
3-2	Vibration Test	0.4G (AVG)	

***** Mechanical Drawing *****



***** Caution in Use *****

1. You might encounter functional and life problems if you use it different from the standard . Please be careful of the range of use, like voltage etc.
2. No matter what please connect red lead wire to (+) socket, and blue and black lead wire to (-) socket when you use the motor.
3. Please be careful of that the storage in high temperature and humidity and noxious gas might cause hindrances to motors.
4. Drive IC can be damaged by power plug short due to careless test. In order to prevent damage of Driver IC, please connect 2 μ F condenser to motor in a row(parallel connection) with power plug(+/-).
5. Please hold the case part lightly as much as you can when you use motors.
6. Please do not use above DC 3.8V for preventing Driver IC.
7. Please avoid being near and contacting magnetic materials like magnet which might encounter functional problems.
8. If some materials(metal, powder) and dust become mixing condition in the motor it might cause feature declines by occurring rotation faulty and abnormal sound so please be clean the working environment and careful when you deal with the motor.
9. Please be careful of not soaking in liquid like water or alcohol.
10. It can ' t guarantee if the motors are used out of the range of fulfilling this specification.