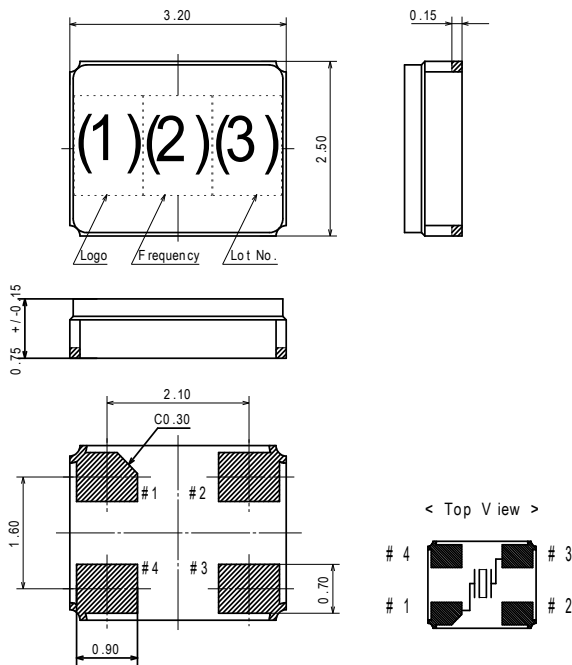


SPECIFICATION OF SURFACE MOUNT TYPE

1 .TYPE	DSX321G
2 .NOMINAL FREQUENCY	8.000000 MHz
3 .LOAD CAPACITANCE(CL)	8.0 pF
4 .DRIVE LEVEL	10 uW +/- 2 uW
5 .FREQUENCY TOLERANCE	+/- 50 × 10 ⁻⁶ at 25 deg.C +/- 3 deg.C
6 .SERIES RESISTANCE	400 ohms max. / CL = SERIES
7 .FREQUENCY CHARACTERISTICS OVER TEMPERATURE	+/- 30 × 10 ⁻⁶ / -30 deg.C to +85 deg.C (ref. +25 deg.C)
8 .OPERATING TEMPERATURE RANGE	-30 deg.C to +85 deg.C
9 .STORAGE TEMPERATURE RANGE	-40 deg.C to +85 deg.C
10 .SHUNT CAPACITANCE(C0)	2.0 pF max.
11 .INSULATION RESISTANCE	500 Mohms min. at 100V DC
12 .OVERTONE ORDER	Fundamental
13 .DIMENSIONS	Refer to Fig-1



(1)Logo, (2)Frequency and Manufacturing Location

Producing District	(1)Logo	(2)Frequency
Indonesia	<u>D</u>	08
Thailand	<u>D</u>	08
Taiwan	D	<u>08</u>

- * Made in INDONESIA : Under Bar with D
- * Made in THAILAND : Top Bar with D
- * Made in TAIWAN : Under Bar with 8

(3)Lot No.

unit : mm
Tolerance : +/-0.1
Pin #2 #4 is not connected with anything.

Fig.-1