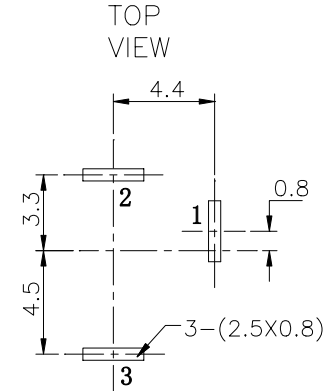
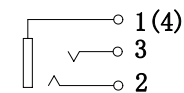


P. C. B LAYOUT



SCHEMATIC



SPECIFICATION

1. Rating : DC 30V 0.5A;
2. Contact resistance: $\leq 0.03\Omega$;
3. Insulation resistance: $\geq 100M\Omega$ (DC250V);
4. Withstand voltage: 500VAC ;
5. Insertion and extraction force: 3-20N;
6. life test: 5,000 cycles.

5	HOUSING	1	PA66	
4	AXIS SUPPORT	1	H59 BRASS	Ni-Plating
3	SPRING PIECE	1	SUS301	Sn-Plating
2	CURVE PIECE	1	H62 BRASS	Sn-Plating
1	CONTACT FOOT	1	BRONZE	
NO.	DESCRIPTION	QTY	MATERIAL	PLATING

UNIT: MM 	TYPE: PHONE JACK	MODEL NO: PJ-301C	PAPER NO: A4		PAGE 1 OF 1	
			TOLERANCE	ANGLES	SCALE	VER
			0.15	数1.5	3:1	1

DESIGNER BY:	
CHECK BY:	
APPROVED BY:	



旭日佳电子有限公司 □
 BEST SUN ELECTRONIC CO., LTD