

# LCD Module Specification

Model: LC0821-SFLYH6

## Table of Contents

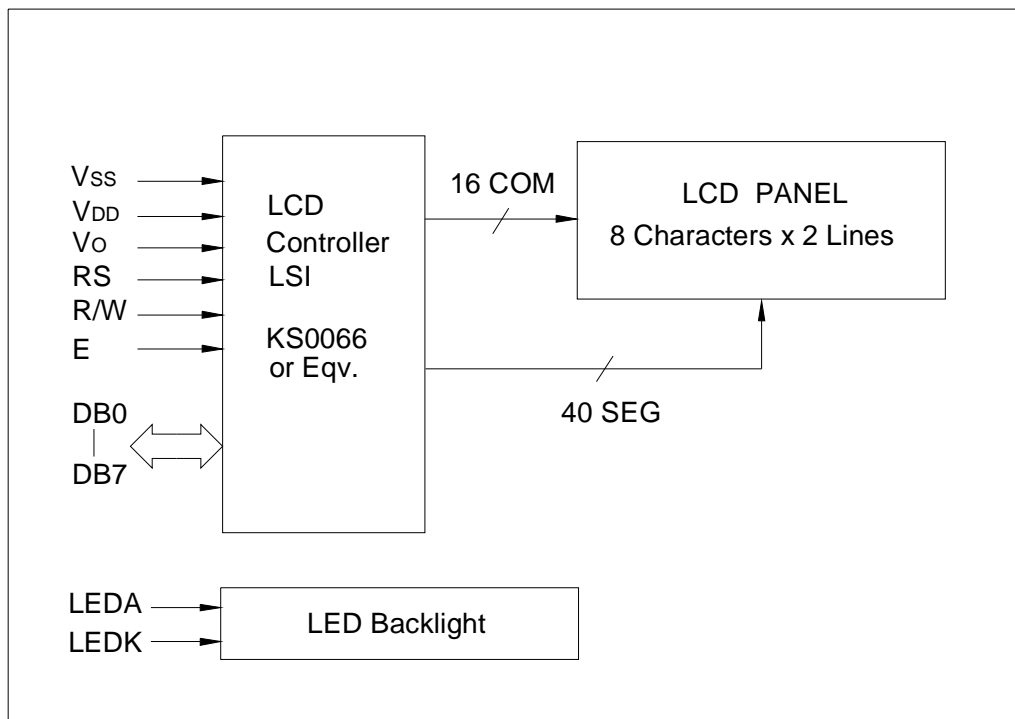
- COVER & CONTENTS . . . . . 1
- BASIC SPECIFICATIONS . . . . . 2
- ABSOLUTE MAXIMUM RATINGS . . . . . 3
- ELECTRICAL CHARACTERISTICS . . . . . 4
- OPERATING PRINCIPLES & METHODES . . . . . 7
- MPU INTERFACE . . . . . 12
- DISPLAY CONTROL INSTRUCTIONS . . . . . 16
- ELECTRO—OPTICAL CHARACTERISTICS . . . . . 21
- DIMENSIONAL OUTLINE . . . . . 23
- LCD MODULE NUMBERING SYSTEM . . . . . 24
- PRECAUTIONS FOR USE OF LCD MODULE . . . . . 25

## 1. BASIC SPECIFICATIONS

### 1.1 Features

|                   |   |   |    |
|-------------------|---|---|----|
| Display Format    | : | 8 Characters X 2 Lines                  |    |
| LCD Mode          | : | STN—Yellow Green—Positive—Transflective |    |
| Driving Method    | : | 1/16 Duty, 1/5 Bias                     |    |
| Viewing Direction | : | 6:00                                    |    |
| Backlight         | : | LED, yellow green color                 |    |
| Outline Dimension | : | 58.0(W) X 32.0(H) X 14.0(T)             | mm |
| Viewing Area      | : | 35.0(W) X 15.0(H)                       | mm |
| Character Size    | : | 2.45 X 5.00                             | mm |
| Dot Size          | : | 0.45 X 0.50                             | mm |
| Weight            | : | 26                                      | g  |
| Controller        | : | S6A0069 (KS066U)                        |    |

### 1.2 Block Diagram



### 1.3 Terminal Functions

| Pin No. | Symbol | Level  | Function   |
|---------|--------|--------|--|
| 1       | VSS    | 0V     | Ground   |
| 2       | VDD    | +5V    | Power supply for logic   |
| 3       | VO     | --     | Operating voltage for LCD (contrast adjusting)   |
| 4       | RS     | H/L    | Register selection<br>H: Display data L: Instruction code  |
| 5       | R/W    | H/L    | Read/Write selection<br>H: Read operation L: Write operation   |
| 6       | E      | H, H→L | Enable signal. Read data when E is "H", write data at the falling edge of E.   |
| 7       | DB0    | H/L    | In 8-bit mode, used as low order bi-directional data bus.<br>In 4-bit mode, open these terminals.                      |
| 8       | DB1    | H/L    |  |
| 9       | DB2    | H/L    |  |
| 10      | DB3    | H/L    |  |
| 11      | DB4    | H/L    | In 8-bit mode, used as high order bi-directional data bus.<br>In 4-bit mode, used as both high and low order data bus. |
| 12      | DB5    | H/L    |  |
| 13      | DB6    | H/L    |  |
| 14      | DB7    | H/L    |  |
| 15      | LEDA   | +5V    | Power supply for LED backlight   |
| 16      | LEDK   | 0V     | Power supply for LED backlight   |

### 2. ABSOLUTE MAXIMUM RATINGS

| Item                  | Symbol  | Min. | Max.    | Unit |
|-----------------------|---------|------|---------|------|
| Supply Voltage(Logic) | VDD-VSS | -0.3 | 7.0     | V    |
| Supply Voltage(LCD)   | VDD-VO  | -0.3 | 13.0    | V    |
| Input Voltage         | VI      | -0.3 | VDD+0.3 | V    |
| Operating Temp.       | Topr    | -20  | 70      | °C   |
| Storage Temp.         | Tstg    | -30  | 80      | °C   |

### 3. ELECTRICAL CHARACTERISTICS

#### 3.1 DC Characteristics

(VDD=5.0V±10%, Ta=25°C)

| Item                       | Symbol | Condition  | Min. | Typ. | Max. | Unit |
|----------------------------|--------|------------|------|------|------|------|
| Supply Voltage (Logic)     | VDD    |            | 4.5  | 5.0  | 5.5  | V    |
| Supply Voltage (LCD Drive) | VDD-VO |            | --   | 5.0  | --   | V    |
| Input High Voltage         | VIH    |            | 2.2  | --   | VDD  | V    |
| Input Low Voltage          | VIL    |            | -0.3 | --   | 0.6  | V    |
| Output High Voltage        | VOH    | IOH=-0.2mA | 2.4  | --   | VDD  | V    |
| Output Low Voltage         | VOL    | IOL=1.2mA  | 0    | --   | 0.4  | V    |
| Supply Current (Logic)     | IDD    | VDD=5.0V   | --   | 1.2  | 3.0  | mA   |

#### 3.2 Interface Timing Chart

(VDD=5.0V±10%, Ta=25°C)

| Mode                         | Characteristic           | Symbol | Min. | Typ. | Max. | Unit |
|------------------------------|--------------------------|--------|------|------|------|------|
| Write Mode<br>Refer to fig.1 | E Cycle Time             | tc     | 500  | --   | --   | ns   |
|                              | E Rise/Fall Time         | tR, tF | --   | --   | 20   |      |
|                              | E Pulse Width (High,Low) | tw     | 230  | --   | --   |      |
|                              | R/W and RS Setup Time    | tsu1   | 40   | --   | --   |      |
|                              | R/W and RS Hold Time     | tH1    | 10   | --   | --   |      |
|                              | Data Setup Time          | tsu2   | 80   | --   | --   |      |
|                              | Data Hold Time           | tH2    | 10   | --   | --   |      |
| Read Mode<br>Refer to fig.2  | E Cycle Time             | tc     | 500  | --   | --   | ns   |
|                              | E Rise/Fall Time         | tR, tF | --   | --   | 20   |      |
|                              | E Pulse Width (High,Low) | tw     | 230  | --   | --   |      |
|                              | R/W and RS Setup Time    | tsu    | 40   | --   | --   |      |
|                              | R/W and RS Hold Time     | tH     | 10   | --   | --   |      |
|                              | Data Output Delay Time   | tD     | --   | --   | 120  |      |
|                              | Data Hold Time           | tDH    | 5    | --   | --   |      |

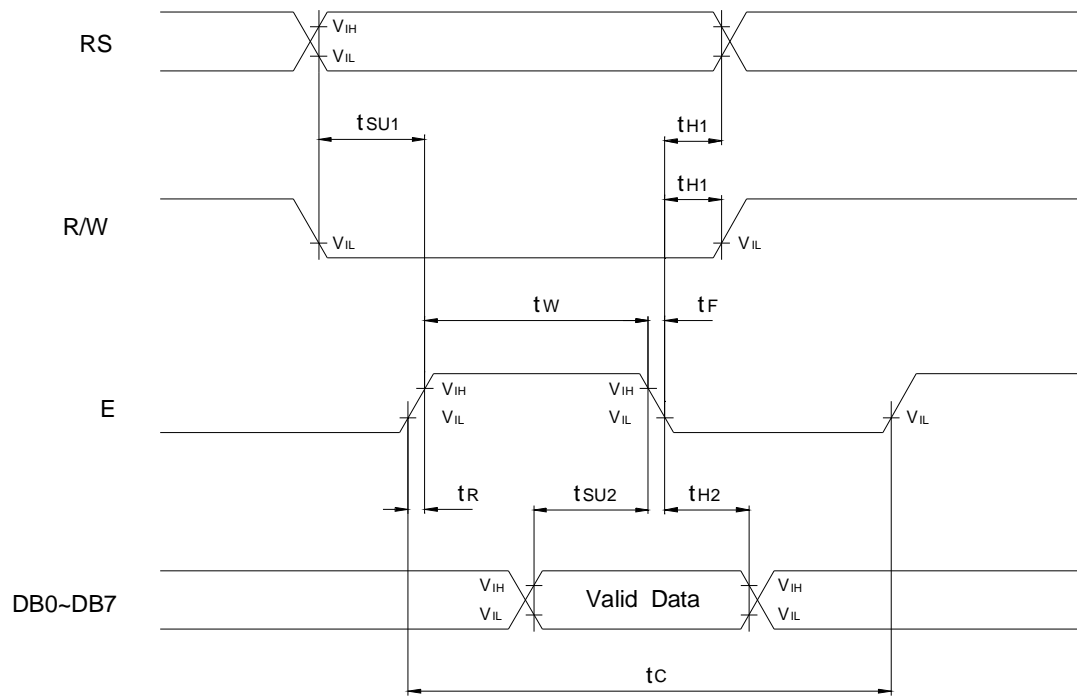


Fig.1 MPU Write Timing

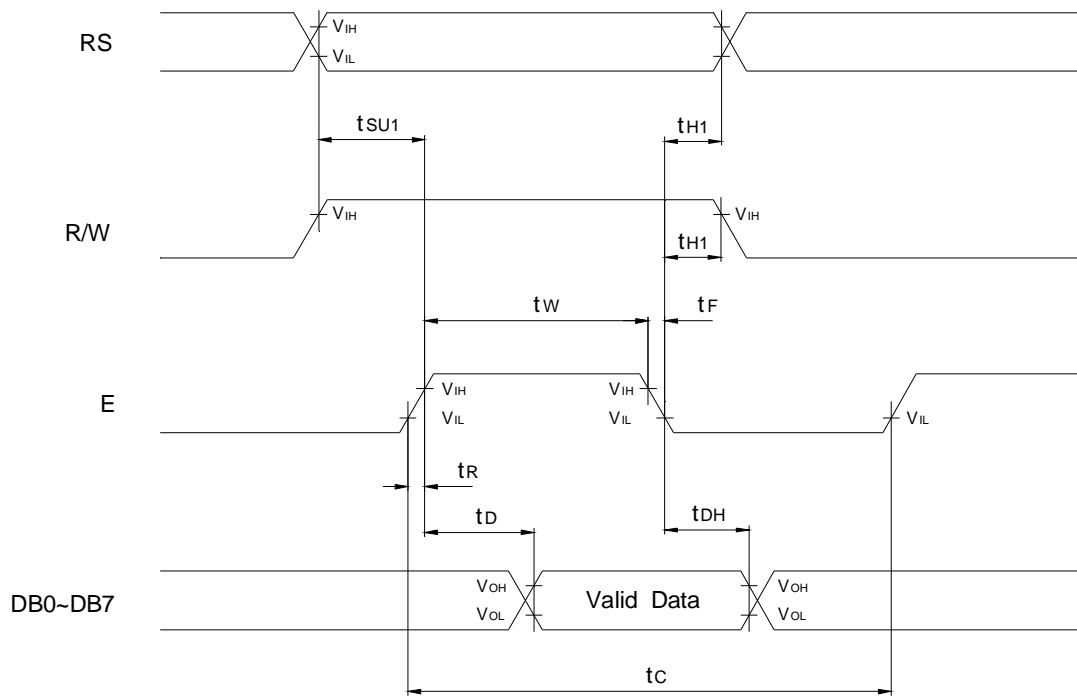
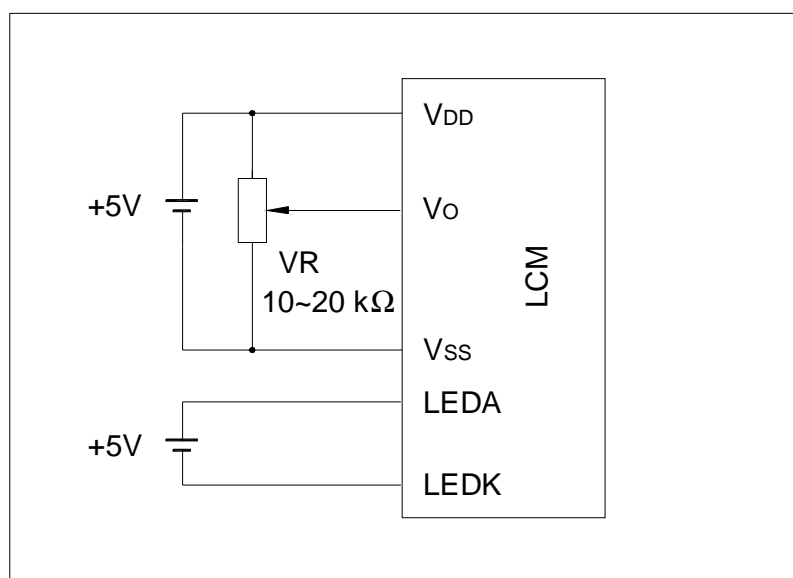


Fig.2 MPU Read Timing

### 3.3 LED Backlight Characteristics (Ta=25°C)

| Item             | Symbol      | Condition | Min. | Typ. | Max. | Unit |
|------------------|-------------|-----------|------|------|------|------|
| Forward Voltage  | Vf          |           | 3.9  | 4.1  | 4.3  | V    |
| Forward Current  | If          | Vf=4.1V   | --   | 60   | --   | mA   |
| Peak Wave Length | $\lambda p$ | If=60mA   | --   | 568  | --   | nm   |

### 3.4 Power Supply



Note: 5V voltage for the LED backlight should be supplied to Pin15 (LEDA) and Pin16 (LEDK) terminal of the interface, it should not be supplied to the Anode/Cathode terminal of the LED backlight directly.

## 4. OPERATING PRINCIPLES & METHODES

### 4.1 Register

The LCD Controller has two 8-bit registers, the Instruction register (IR) and the data register (DR).

The IR is a write only register to store instruction codes like Display Clear or Cursor Shift as well as addresses for the Display Data RAM (DD RAM) or the Character Generator RAM (CG RAM).

The DR is a read/write register used for temporarily storing data to be read/written to/from the DD RAM or CG RAM. Data written into the DR is automatically written into DD RAM or CG RAM by an internal operation of the display controller.

The DR is also used to store data when reading out data from DD RAM or CG RAM.

When address information is written into IR, data is read out from DD RAM or CG RAM to DR by an internal operation. Data transfer is then completed by reading the DR.

After performing a read from the DR, data in the DD RAM or CG RAM at the next address is sent to the DR for the next read cycle. The register select (RS) signal determines which of these two registers is selected.

Table 4.1 Selection of Registers

| RS | R/W | Function  |
|----|-----|---|
| 0  | 0   | Instruction Write operation (MPU writes instruction code to IR) |
|    | 1   | Read Busy flag (DB7) and Address Counter (DB0 ~ DB6)            |
| 1  | 0   | Data Write operation (MPU writes data to DR)                    |
|    | 1   | Data Read operation (MPU reads data from DR)                    |

### 4.2 Busy Flag (BF)

When the busy flag is high or "1" the module is performing an internal operation and the next instruction will not be accepted. The busy flag outputs to DB7 when RS = 0 and a read operation is performed. The next instruction must not be written until ensuring that the busy flag is low or "0".

### 4.3 Address Counter (AC)

The address counter (AC) assigns addresses to the DD RAM and the CG RAM.

When the address of an instruction is written into the IR, the address information is sent from the IR to the AC. The selection of either DD RAM or CG RAM is also determined concurrently by the same instruction. After writing into or reading from the DD RAM or CG RAM the address counter (AC) is automatically increased by 1 or decreased by 1 (determined by the I/D bit in the "Entry Mode Set" command). AC contents are output to DB0 ~ DB6 when RS = 0 and a read operation is performed.

#### 4.4 Display Data RAM (DD RAM)

The Display Data RAM (DD RAM) stores the display data represented in 8-bit character codes. Its capacity is 80 x 8 bits or 80 characters. The Display Data RAM that is not used for the display can be used as a general data RAM.

The DD RAM address (ADD) is set in the Address Counter (AC) and is represented in hexadecimal. The address counter can be written by using the "Set DD RAM Address" instruction and can be read by using the "Read Busy Flag and Address" instruction. In each case, data bits DB0-DB6 represent the DD RAM address. In the read operation, bit DB7 represents the "Busy Flag".

| MSB |     |     |     |     |     |     |     | LSB |  |
|-----|-----|-----|-----|-----|-----|-----|-----|-----|--|
| BF  | AC6 | AC5 | AC4 | AC3 | AC2 | AC1 | AC0 |     |  |

Relations between DD RAM addresses and positions on the liquid crystal display are shown below.

|              |        | 1   | 2   | 3   | --- | 6   | 7   | 8   | ← Display Position |
|--------------|--------|-----|-----|-----|-----|-----|-----|-----|--------------------|
| DD RAM Addr. | Line 1 | 00H | 01H | 02H | --- | 05H | 06H | 07H |                    |
|              | Line 2 | 40H | 41H | 42H | --- | 45H | 46H | 47H |                    |

When display shift operation is performed, the DD RAM address moves as follows:

For left shift:

|              |        | 1   | 2   | 3   | --- | 6   | 7   | 8   | ← Display Position |
|--------------|--------|-----|-----|-----|-----|-----|-----|-----|--------------------|
| DD RAM Addr. | Line 1 | 01H | 02H | 03H | --- | 06H | 07H | 08H |                    |
|              | Line 2 | 41H | 42H | 43H | --- | 46H | 47H | 48H |                    |

For right shift:

|              |        | 1   | 2   | 3   | --- | 6   | 7   | 8   | ← Display Position |
|--------------|--------|-----|-----|-----|-----|-----|-----|-----|--------------------|
| DD RAM Addr. | Line 1 | 27H | 00H | 01H | --- | 04H | 05H | 06H |                    |
|              | Line 2 | 67H | 40H | 41H | --- | 44H | 45H | 46H |                    |



#### 4.5 Character Generator ROM (CG ROM)

The Character Generator ROM (CG ROM) generates 5 x 7 dot or 5 x 10 dot character patterns from 8-bit character codes. It can generate up to 192 types of 5x7 dot character patterns and 32 types of 5x10 dot character patterns. Table 4.3 shows the relation between character codes and character patterns of the standard character font.

#### 4.6 Character Generator RAM (CG RAM)

The CG RAM is a 64 x 8 bit RAM in which the user can program custom character patterns. With 5 x 7 dots, 8 types of character patterns can be written and with 5 x 10 dots 4 types of character patterns can be written. To write previously programmed characters from the CG RAM to the DD RAM, character codes 00H through 07H are used. (See character font Table 4.3). Unused CG RAM locations can be used for general purpose RAM.

The relationship between CG RAM address and data and the displayed character is shown in Tables 4.2

To program a 5 x 7 character pattern into the CG RAM location (for example, character code 01H), the following steps should be taken.

- A. Use the "Set CG RAM address" command to position the CG RAM pointer to the 1st row of character code 01H (CG RAM address=48H).
- B. Use the "Write Data to CG or DD RAM" Command to write the top row of the custom character (Only lower 5-bit of character pattern data is valid).
- C. The CG RAM address is automatically increased if the I/D bit is set in the "Entry Mode Set" command. When this is the case, return to step B until all rows of the character are written.
- D. After writing all 7 rows of data, use the "Set DD RAM address" command to return the address counter to a DD RAM location.
- E. To display the custom character written above, use the "Write Data to CG or DD RAM" command with the data being 01H to display the character in the DD RAM address.

Table 4.2 Relation between CG RAM address, character codes (DD RAM) and character patterns (5x7 dots)

| Character Code(DDRAM data) |    |    |    |    |    |    |    | CGRAM Address |    |    |    |    |    | CGRAM Data |    |    |    |    |    |    |    | Pattern number                                       |
|----------------------------|----|----|----|----|----|----|----|---------------|----|----|----|----|----|------------|----|----|----|----|----|----|----|--|
| D7                         | D6 | D5 | D4 | D3 | D2 | D1 | D0 | A5            | A4 | A3 | A2 | A1 | A0 | P7         | P6 | P5 | P4 | P3 | P2 | P1 | P0 |  |
| 0                          | 0  | 0  | 0  | ×  | 0  | 0  | 0  | 0             | 0  | 0  | 0  | 0  | 0  | ×          | ×  | ×  | 0  | 1  | 1  | 1  | 0  | pattern 1<br><br><br><br><br><br><br>cursor position |
|                            |    |    |    |    |    |    |    |               |    |    |    |    |    |            |    |    | 1  | 0  | 0  | 0  | 1  |  |
|                            |    |    |    |    |    |    |    |               |    |    |    |    |    |            |    |    | 1  | 0  | 0  | 0  | 1  |  |
|                            |    |    |    | .  |    |    |    |               |    |    |    |    |    |            |    |    | 1  | 1  | 1  | 1  | 1  |  |
|                            |    |    |    | .  |    |    |    |               |    |    |    |    |    |            |    |    | 1  | 0  | 0  | 0  | 1  |  |
|                            |    |    |    | .  |    |    |    |               |    |    |    |    |    |            |    |    | 1  | 0  | 0  | 0  | 1  |  |
|                            |    |    |    | .  |    |    |    |               |    |    |    |    |    |            |    |    | 1  | 0  | 0  | 0  | 1  |  |
|                            |    |    |    | .  |    |    |    |               |    |    |    |    |    |            |    |    | 0  | 0  | 0  | 0  | 0  |  |
| 0                          | 0  | 0  | 0  | ×  | 1  | 1  | 1  | 0             | 0  | 0  | 0  | 0  | 0  | ×          | ×  | ×  | 1  | 0  | 0  | 0  | 1  | pattern 8<br><br><br><br><br><br><br>cursor position |
|                            |    |    |    |    |    |    |    |               |    |    | 0  | 0  | 1  |            |    |    | 1  | 0  | 0  | 0  | 1  |  |
|                            |    |    |    | .  |    |    |    |               |    |    | 0  | 1  | 0  |            |    |    | 1  | 0  | 0  | 0  | 1  |  |
|                            |    |    |    | .  |    |    |    |               |    |    | 0  | 1  | 1  |            |    |    | 1  | 1  | 1  | 1  | 1  |  |
|                            |    |    |    | .  |    |    |    |               |    |    | 1  | 0  | 0  |            |    |    | 1  | 0  | 0  | 0  | 1  |  |
|                            |    |    |    | .  |    |    |    |               |    |    | 1  | 0  | 1  |            |    |    | 1  | 0  | 0  | 0  | 1  |  |
|                            |    |    |    | .  |    |    |    |               |    |    | 1  | 1  | 0  |            |    |    | 1  | 0  | 0  | 0  | 1  |  |
|                            |    |    |    | .  |    |    |    |               |    |    | 1  | 1  | 1  |            |    |    | 0  | 0  | 0  | 0  | 0  |  |

## Notes:

- Character code bits 0~2 correspond to CG RAM address bit 3~5 (3 bits: 8 types).
- CG RAM address bits 0~2 designate the line position within a character pattern. The 8th line is the cursor position and display is determined by the logical OR of the 8th line and the cursor. Maintain the 8th line data, corresponding to the cursor display position, in the "0" state for cursor display. When the 8th line data is "1", bit 1 lights up regardless of cursor existence.
- Character pattern row positions correspond to CG RAM data bits 0~4 as shown in the above (bit 4 being at the left end). Since CG RAM data bits 5~7 are not used for display, they can be used for the general data RAM as memory elements still exit.
- As shown in Table 4.2, CG RAM character patterns are selected when character code bits 4~7 are all "0". However as character code bit 3 is an ineffective bit, the "A" in the character pattern example is selected by character code "00H" or "08H".
- "1" for CG RAM data corresponds to selected pixels and "0" for non-selected.

Table 4.3 CGROM Character Code Table (S6A0069-00)

| Upper<br>4bit<br>Lower<br>4bit | 0000             | 0001 | 0010 | 0011 | 0100 | 0101 | 0110 | 0111 | 1000 | 1001 | 1010 | 1011 | 1100 | 1101 | 1110 | 1111 |
|--------------------------------|------------------|------|------|------|------|------|------|------|------|------|------|------|------|------|------|------|
| 0000                           | CG<br>RAM<br>(1) |      |      | 0    | 0    | P    | Y    | F    |      |      |      | 一    | 9    | 3    | 0    | P    |
| 0001                           | (2)              |      | !    | 1    | A    | Q    | a    | 9    |      |      | .    | P    | チ    | △    | △    | 9    |
| 0010                           | (3)              |      | "    | 2    | R    | r    | b    | r    |      |      | 「    | イ    | ウ    | ×    | F    | P    |
| 0011                           | (4)              |      | #    | 3    | C    | S    | c    | s    |      |      | 」    | ウ    | テ    | テ    | △    | ×    |
| 0100                           | (5)              |      | \$   | 4    | O    | T    | t    | d    |      |      | √    | 工    | ト    | ト    | H    | △    |
| 0101                           | (6)              |      | %    | 5    | E    | U    | e    | u    |      |      | .    | オ    | カ    | 工    | △    | 0    |
| 0110                           | (7)              |      | &    | 6    | F    | V    | f    | v    |      |      | ヲ    | カ    | ニ    | ヨ    | P    | △    |
| 0111                           | (8)              |      | '    | 7    | G    | W    | g    | w    |      |      | ヲ    | キ    | △    | ヲ    | 9    | △    |
| 1000                           | (1)              |      | (    | 8    | H    | X    | h    | x    |      |      | イ    | ウ    | オ    | リ    | △    | △    |
| 1001                           | (2)              |      | )    | 9    | I    | Y    | i    | y    |      |      | ウ    | ウ    | ル    | △    | △    | △    |
| 1010                           | (3)              |      | *    | △    | J    | Z    | j    | z    |      |      | 工    | コ    | △    | △    | △    | △    |
| 1011                           | (4)              |      | +    | △    | K    | L    | k    | l    |      |      | オ    | カ    | △    | △    | △    | △    |
| 1100                           | (5)              |      | ,    | △    | L    | I    | l    | i    |      |      | カ    | △    | △    | △    | △    | △    |
| 1101                           | (6)              |      | -    | =    | M    | J    | m    | j    |      |      | ユ    | △    | △    | △    | △    | △    |
| 1110                           | (7)              |      | .    | >    | N    | △    | n    | △    |      |      | ヨ    | △    | △    | △    | △    | △    |
| 1111                           | (8)              |      | /    | ?    | 0    | L    | o    | △    |      |      | ウ    | △    | △    | △    | △    | △    |

## 5. MPU INTERFACE

### 5.1 General

(1). The LCD controller can be operated in either 4 or 8 bits mode. Instructions/Data are written to the display using the signal timing characteristics found in section 3.2.

When operating in 4-bit mode, data is transferred in two 4-bit operations using data bits DB4~DB7. DB0~DB3 are not used. When using 4-bit mode, data is transferred twice before the instruction cycle is complete. The higher order 4 bits (contents of DB4~DB7 when interface data is 8 bits long) is transferred first, then the lower order 4 bits (contents of DB0~DB3 when interface data is 8 bits long) is transferred. Check the busy flag after 4-bit data has been transferred twice (one instruction). A 4-bit two operation will then transfer the busy flag and address counter data.

(2). When operating in 8-bit mode, data is transferred using the full 8-bit bus DB0~DB7.

### 5.2 Initialization

#### 5.2.1 Initialization by the Internal Reset Circuit

The display can be initialized using the internal reset circuit when the power is turned on. The following instructions are executed in initialization. The busy flag (BF) is kept in busy state until initialization ends. The busy flag will go active 10ms after Vcc rises to 4.5V.

(1). Display Clear

(2). Function set:

DL = 1 : 8 bit interface operation

N = 0 : 1 - line display mode

F = 0 : 5 x 7 dots character font

(3). Display ON/OFF Control:

D = 0 : Display OFF

C = 0 : Cursor OFF

B = 0 : Blink OFF

(4). Entry Mode Set

I/D = 1 : +1 (Increment Mode)

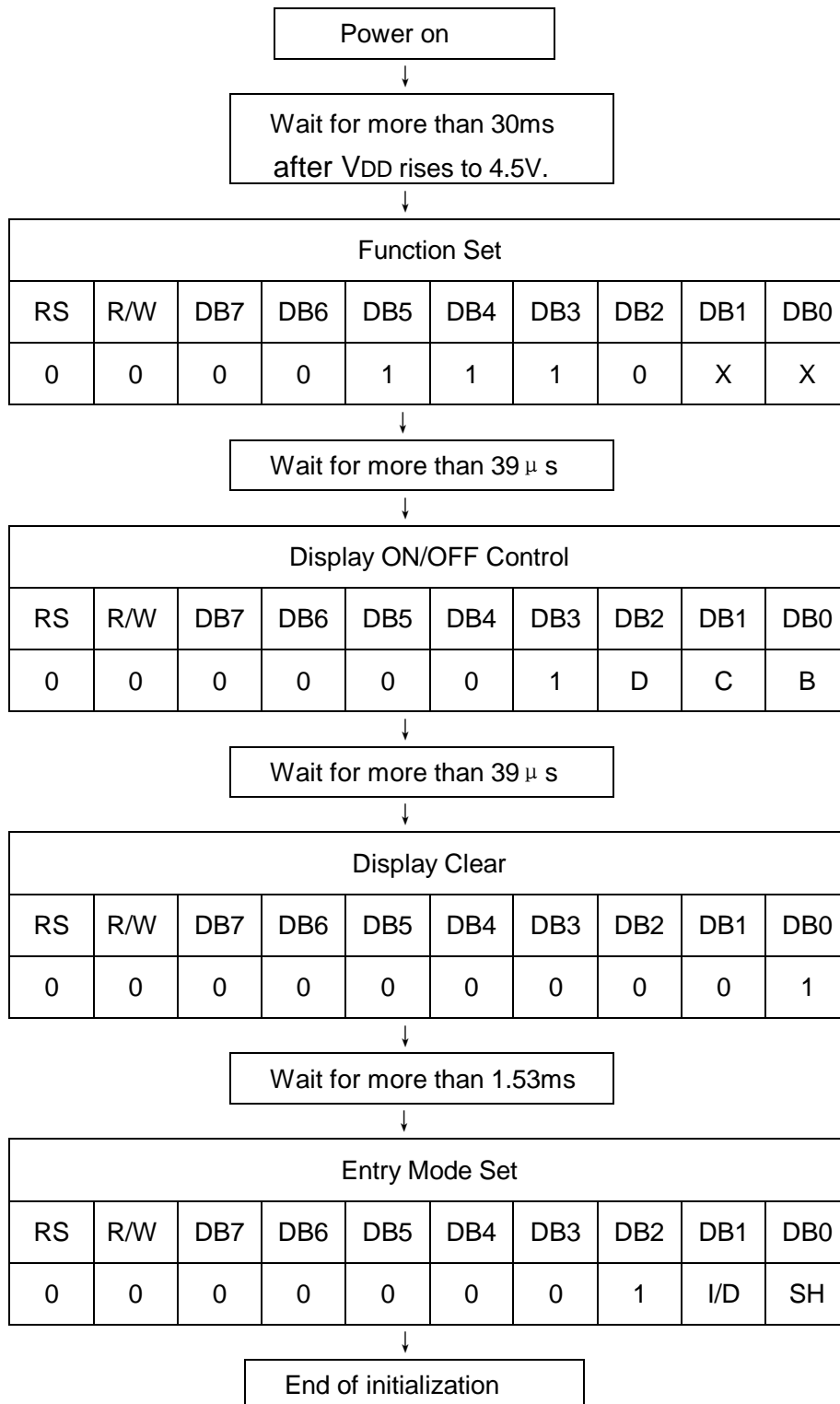
SH = 0 : No Display Shift operation

If the internal power supply reset timing cannot be met ( $0.1\text{ms} < \text{trcc} < 10\text{ms}$ ), the internal reset circuit will not operate normally and initialization will not be performed. In this case, the display must be initialized by software.

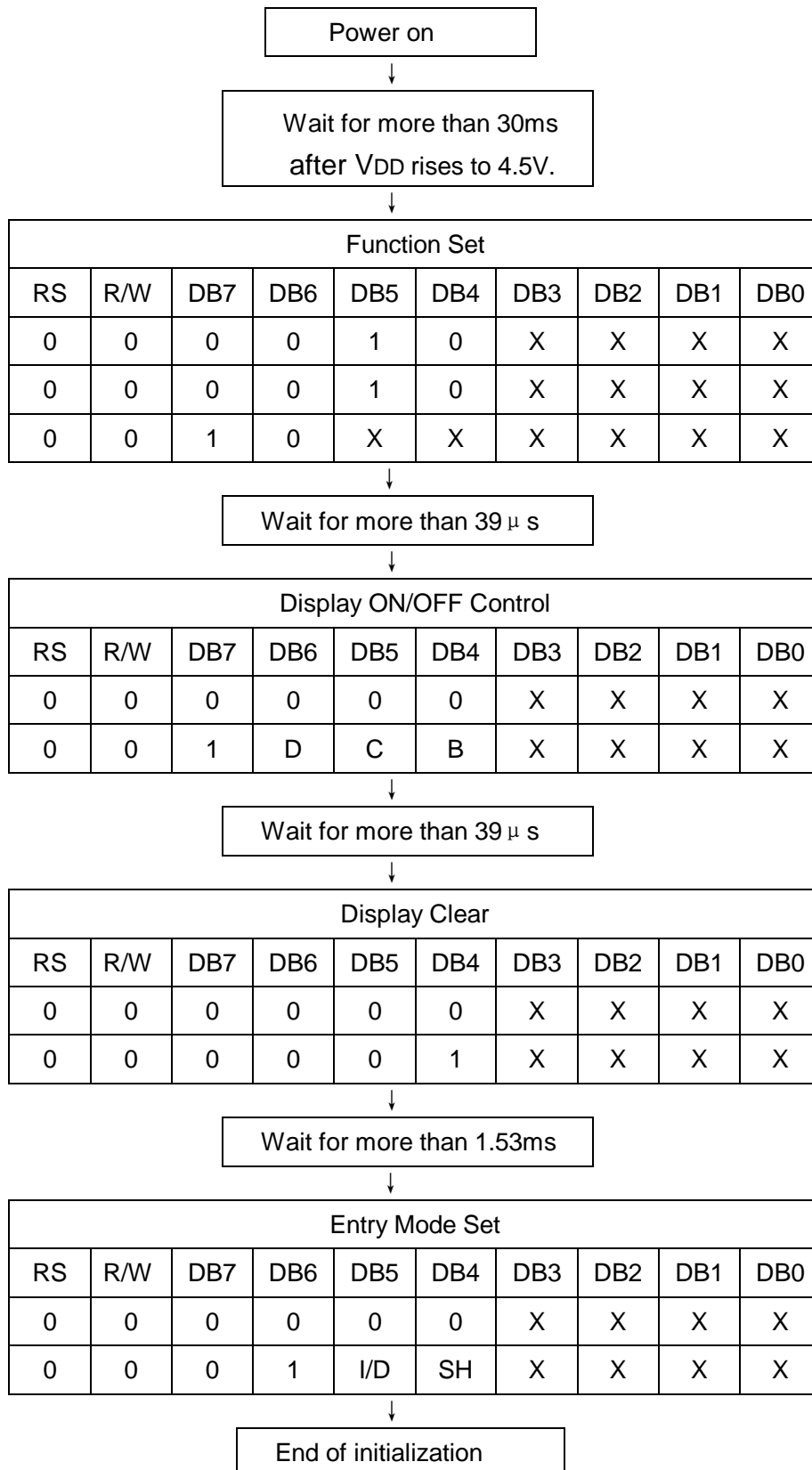
#### 5.2.2 Software Initialization

Although software initialization is not mandatory, it is recommended that this procedure always be performed. When the internal power supply reset timing cannot be met, then the display must be initialized using one of the following procedures.

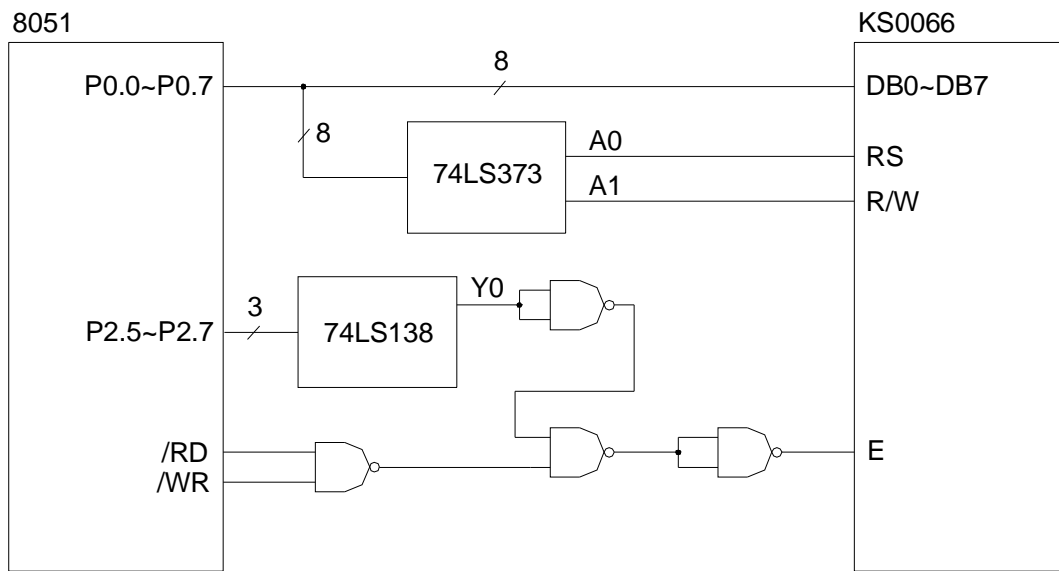
## (1). 8-Bit Initialization:



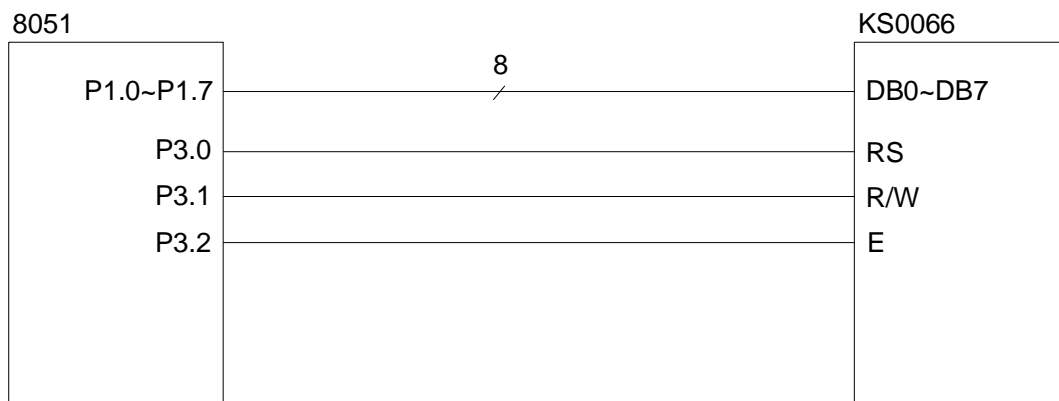
## (2). 4-Bit Initialization:



## 5.3 Connection with 8051 Family MPU



a. Application Circuit 1



b. Application Circuit 2

## 6. DISPLAY CONTROL INSTRUCTIONS

Table 6.1 Instructions

| Instruction                 | Instruction code |     |     |     |     |     |     |     |     |     | Description  | Execution time<br>(fosc=270KHz)   |        |
|-----------------------------|------------------|-----|-----|-----|-----|-----|-----|-----|-----|-----|--|---|--------|
|                             | RS               | R/W | DB7 | DB6 | DB5 | DB4 | DB3 | DB2 | DB1 | DB0 |  |   |        |
| Clear Display               | 0                | 0   | 0   | 0   | 0   | 0   | 0   | 0   | 0   | 1   | Clears entire display and sets DDRAM address to 00H. | 1.53ms  |        |
| Return Home                 | 0                | 0   | 0   | 0   | 0   | 0   | 0   | 0   | 0   | 1   | -  | Sets DDRAM address to 00H in AC and returns shifted display to its original position. The contents of DDRAM remain unchanged.         | 1.53ms |
| Entry Mode Set              | 0                | 0   | 0   | 0   | 0   | 0   | 0   | 0   | 1   | I/D | SH   | Sets cursor move direction and enable the shift of entire display. These operations are performed during data write and read.         | 39 μ s |
| Display ON/OFF Control      | 0                | 0   | 0   | 0   | 0   | 0   | 0   | 1   | D   | C   | B  | Set ON/OFF of entire display (D), cursor ON/OFF(C), and blinking of cursor position character(B).                                     | 39 μ s |
| Cursor or Display Shift     | 0                | 0   | 0   | 0   | 0   | 0   | 1   | S/C | R/L | -   | -  | Moves cursor and shifts display without changing DDRAM contents.  | 39 μ s |
| Function Set                | 0                | 0   | 0   | 0   | 0   | 1   | DL  | N   | F   | -   | -  | Sets interface data length (DL: 8-bit/4-bit), numbers of display line (N: 2-line/1-line), and display font type (F: 5x11dots/5x8dots) | 39 μ s |
| Set CGRAM Address           | 0                | 0   | 0   | 1   | AC5 | AC4 | AC3 | AC2 | AC1 | AC0 |  | Set CGRAM address in address counter.   | 39 μ s |
| Set DDRAM Address           | 0                | 0   | 1   | AC6 | AC5 | AC4 | AC3 | AC2 | AC1 | AC0 |  | Set DDRAM address in address Counter.   | 39 μ s |
| Read Busy Flag and Address  | 0                | 1   | BF  | AC6 | AC5 | AC4 | AC3 | AC2 | AC1 | AC0 |  | Reads busy flag (BF) indicating internal operation is being performed and reads address counter contents.                             | 0 μ s  |
| Write data to CG or DD RAM  | 1                | 0   | D7  | D6  | D5  | D4  | D3  | D2  | D1  | D0  |  | Write data into internal RAM (DDRAM/CGRAM).   | 43us   |
| Read data from CG or DD RAM | 1                | 1   | D7  | D6  | D5  | D4  | D3  | D2  | D1  | D0  |  | Read data from internal RAM (DDRAM/CGRAM).  | 43us   |

“-” : don't care

- Note: 1. Make sure to check the busy flag before sending the instruction to the display. If the busy flag is not checked, the time between first and next instruction must be longer than the instruction execution time list in the Table 6.1.
2. After execution of CG RAM/DD RAM data write or read instruction, the RAM address counter is increased or decreased by 1. The RAM address counter is updated after the busy flag turns off.



## 6.1 Clear Display

| RS | R/W | DB7 | DB6 | DB5 | DB4 | DB3 | DB2 | DB1 | DB0 |
|----|-----|-----|-----|-----|-----|-----|-----|-----|-----|
| 0  | 0   | 0   | 0   | 0   | 0   | 0   | 0   | 0   | 1   |

Clear all the display data by writing the space code "20H" to all DD RAM addresses, and set DD RAM address to "00H" into address counter. Returns cursor to the original position, namely, brings the cursor to the upper left end of the display. The execution of clear display instruction sets entry mode to increment mode (I/D = 1).

## 6.2 Return Home

| RS | R/W | DB7 | DB6 | DB5 | DB4 | DB3 | DB2 | DB1 | DB0 |
|----|-----|-----|-----|-----|-----|-----|-----|-----|-----|
| 0  | 0   | 0   | 0   | 0   | 0   | 0   | 0   | 1   | -   |

Sets the DD RAM address "00H" in address counter. Return display to its original position if it was shifted. DD RAM contents do not change. The cursor or the blink moves to the upper left end of the display. Contents of DD RAM remain unchanged.

## 6.3 Entry Mode Set

| RS | R/W | DB7 | DB6 | DB5 | DB4 | DB3 | DB2 | DB1 | DB0 |
|----|-----|-----|-----|-----|-----|-----|-----|-----|-----|
| 0  | 0   | 0   | 0   | 0   | 0   | 0   | 1   | I/D | SH  |

Sets the move direction of cursor and display.

I/D: Increases (I/D = 1) or decreases (I/D = 0) the DD RAM address by 1 when a character code is written into or read from the DD RAM.

The cursor or blink moves to the right when increased by 1 and to the left when decreased by 1. The same applies to writing and reading the CG RAM.

SH: Shifts the entire display when SH = 1; shifts to the left when I/D = 1 and to the right when I/D = 0. Thus it looks as if the cursor stands still and only the display seems to move. The display does not shift when reading from DD RAM or writing/reading into/from CG RAM.

When SH = 0, the display does not shift.

## 6.4 Display ON/OFF Control

| RS | R/W | DB7 | DB6 | DB5 | DB4 | DB3 | DB2 | DB1 | DB0 |
|----|-----|-----|-----|-----|-----|-----|-----|-----|-----|
| 0  | 0   | 0   | 0   | 0   | 0   | 1   | D   | C   | B   |

Controls the display ON/OFF status, Cursor ON/OFF and Cursor Blink function.

D: The entire display is ON when D = 1 and OFF when D = 0. The display data remains in the DD RAM when display is OFF, it can be displayed immediately by setting D = 1.

C: The cursor displays when C = 1 and does not display when C = 0. The cursor is displayed on the 8th line when 5x7 dots character font has been selected.

B: The character indicated by the cursor blinks when B = 1. The blink is displayed by switching between all "High" data and display characters at 0.4 sec intervals.

The cursor and the blink can be set to display simultaneously.

When B = 0, the blink is off.

### 6.5 Cursor or Display Shift

|    |     |     |     |     |     |     |     |     |     |
|----|-----|-----|-----|-----|-----|-----|-----|-----|-----|
| RS | R/W | DB7 | DB6 | DB5 | DB4 | DB3 | DB2 | DB1 | DB0 |
| 0  | 0   | 0   | 0   | 0   | 1   | S/C | R/L | -   | -   |

Shifts the cursor position or display to the right or left without writing or reading display data. This function is used to correct or search for the display.

Note that the display shift is performed simultaneously in all lines.

The contents of address counter do not change when display shift is performed.

Table 6.2 Shift Patterns According to S/C and R/L Bits

| S/C | R/L | Operation   |
|-----|-----|---|
| 0   | 0   | Shifts cursor position to the left (AC is decreased by 1)                 |
| 0   | 1   | Shifts cursor position to the right (AC is increased by 1)                |
| 1   | 0   | Shifts the entire display to the left, cursor follows the display shift.  |
| 1   | 1   | Shifts the entire display to the right, cursor follows the display shift. |

### 6.6 Function Set

|    |     |     |     |     |     |     |     |     |     |
|----|-----|-----|-----|-----|-----|-----|-----|-----|-----|
| RS | R/W | DB7 | DB6 | DB5 | DB4 | DB3 | DB2 | DB1 | DB0 |
| 0  | 0   | 0   | 0   | 1   | DL  | N   | F   | -   | -   |

Sets the interface data length, the number of lines, and character font.

DL: Sets interface data length. Data is sent or received in 8-bit length (DB7 ~ DB0) when DL = 1, and in 4-bit length (DB7 ~ DB4) when DL = 0. When the 4-bit length is selected, data must be sent or received twice.

N: Sets the number of lines

N = 0 : 1 line display (1/8 duty)

N = 1 : 2 lines display (1/16 duty)

F: Sets character font.

F = 0 : 5 x 7 dots

F = 1 : 5 x 10 dots

Note: Perform the function at the head of the program before executing all instructions (except Busy flag/address read).

### 6.7 Set CG RAM Address

| RS | R/W | DB7 | DB6 | DB5 | DB4 | DB3 | DB2 | DB1 | DB0 |
|----|-----|-----|-----|-----|-----|-----|-----|-----|-----|
| 0  | 0   | 0   | 1   | AC5 | AC4 | AC3 | AC2 | AC1 | AC0 |

Sets the CG RAM address to the address counter. Data is then written/read to/from the CG RAM.

### 6.8 Set DD RAM Address

| RS | R/W | DB7 | DB6 | DB5 | DB4 | DB3 | DB2 | DB1 | DB0 |
|----|-----|-----|-----|-----|-----|-----|-----|-----|-----|
| 0  | 0   | 1   | AC6 | AC5 | AC4 | AC3 | AC2 | AC1 | AC0 |

Sets the DD RAM address to the address counter. Data is then written/read to/from the DD RAM.

When in 1-line display mode (N = 0), DD RAM address is from "00H" to "4FH".

When in 2-line display mode (N = 1), DD RAM address corresponding to 1st line and 3rd line of the display is from "00H" to "27H"; the address corresponding to 2nd and 4th line of the display is from "40H" to "67H".

### 6.9 Read Busy Flag & Address

| RS | R/W | DB7 | DB6 | DB5 | DB4 | DB3 | DB2 | DB1 | DB0 |
|----|-----|-----|-----|-----|-----|-----|-----|-----|-----|
| 0  | 1   | BF  | AC6 | AC5 | AC4 | AC3 | AC2 | AC1 | AC0 |

Reads the busy flag (BF) and value of the address counter (AC). BF = 1 indicates that internal operation is in progress and the next instruction will not be accepted until BF is set to "0". The BF status should be checked before each write operation. At the same time the value of the address counter is read out. The address counter is used by both CG and DD RAM and its value is determined by the previous instruction.

### 6.10 Write Data to CG or DD RAM

| RS | R/W | DB7 | DB6 | DB5 | DB4 | DB3 | DB2 | DB1 | DB0 |
|----|-----|-----|-----|-----|-----|-----|-----|-----|-----|
| 1  | 0   | D7  | D6  | D5  | D4  | D3  | D2  | D1  | D0  |

Writes binary 8-bit data to the CG or DD RAM.

The previous address set instruction (CG RAM address set or DD RAM address set) determines whether the CG or DD RAM is to be written. After a write the address is automatically increased or decreased by 1, according to the entry mode. The entry mode also determines display shift.

### 6.11 Read Data from CG or DD RAM

| RS | R/W | DB7 | DB6 | DB5 | DB4 | DB3 | DB2 | DB1 | DB0 |
|----|-----|-----|-----|-----|-----|-----|-----|-----|-----|
| 1  | 1   | D7  | D6  | D5  | D4  | D3  | D2  | D1  | D0  |

Reads binary 8-bit data from the CG RAM or DD RAM.

The previous address set instruction (CG RAM address set or DD RAM address set) determines whether the CG or DD RAM is to be read. Before entering the read instruction, you must execute either the CG RAM or DD RAM address set instruction. If you don't, the first read data will be invalidated. If RAM data is read several times without RAM address instruction set before read operation, the correct RAM data can be obtained from the second read. The "address set" instruction need not be executed just before the "read" instruction when shifting the cursor by cursor shift instruction (when reading DD RAM). The cursor shift instruction operation is the same as that of the DD RAM address set instruction.

After a read the address is automatically increased or decreased by 1, according to the entry mode; however, display shift is not executed no matter what the entry mode is.

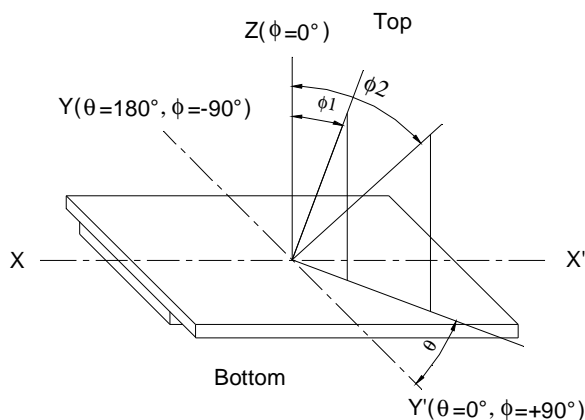
Note: The address counter (AC) is automatically increased or decreased by 1 after a "write" instruction to either CG RAM or DD RAM. RAM data selected by the AC cannot then be read out even if "read" instructions are executed.

The conditions for correct data read out are: (a) Execute either the address set instruction or cursor shift instruction (only with DD RAM) or (b) The execution of the "read data" instruction from the second time when the read instruction is performed multiple times in serial.

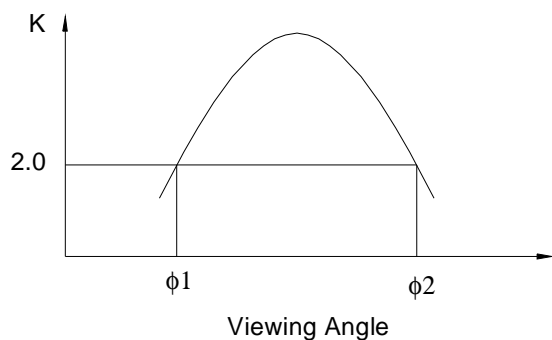
### 7. ELECTRO—OPTICAL CHARACTERISTICS ( $T_a=25^{\circ}C$ )

| Item          | Symbol          | Condition                          | Min. | Typ. | Max. | Unit | Note         |
|---------------|-----------------|------------------------------------|------|------|------|------|--------------|
| View Angle    | $\Phi 2-\Phi 1$ | $K \geq 2, \theta=0^{\circ}$       | --   | 80   | --   | Deg  | Note1, Note2 |
| Contrast      | K               | $\Phi=0^{\circ}, \theta=0^{\circ}$ | 3    | --   | --   | --   | Note3        |
| Response Time | tr (rise)       | $\Phi=0^{\circ}, \theta=0^{\circ}$ | --   | 250  | --   | ms   | Note3        |
|               | tf (fall)       | $\Phi=0^{\circ}, \theta=0^{\circ}$ | --   | 250  | --   | ms   |              |

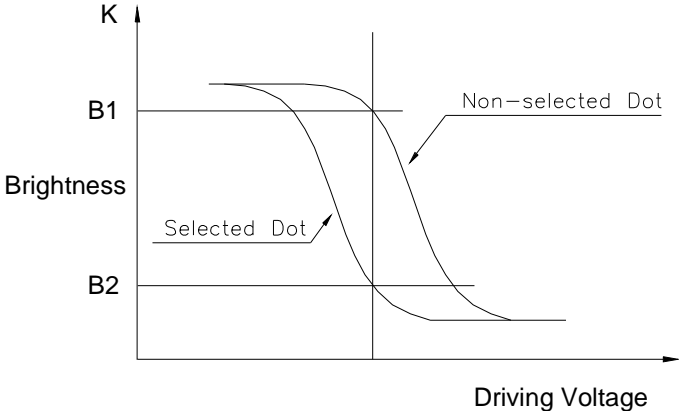
Note1: Definition of Viewing Angle  $\theta, \Phi$



Note2: Definition of viewing Angle Range:  $\Phi 1, \Phi 2$

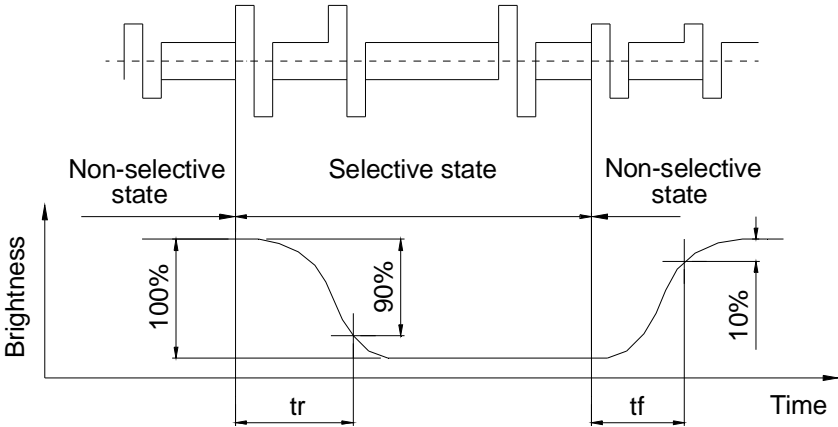


Note3: Definition of Contrast



$$\text{Contrast} = \frac{\text{Brightness of non-selected dot (B1)}}{\text{Brightness of selected dot (B2)}}$$

Note4: Definition of Response Time





## 9. LCD MODULE NUMBERING SYSTEM

L C 08 2 1 — S F L Y H 6 N — XXX  
 (1) (2) (3) (4) (5) (6) (7) (8) (9) (10) (11) (12) (13)

(1) Brand

(2) Module type

**C** - Character module

**G** - Graphic module

(3) Display format

Character module : Number of characters per line, two digits XX

Graphic module : Number of columns, two or three digits XX or XXX

(4) Display format

Character module : Number of lines, one digit X

Graphic module : Number of rows, two or three digits XX or XXX

(5) Development number : One digit X ( **1~9, A~Z** )

(6) LCD mode

**T** - TN Positive, Gray

**N** - TN Negative, Blue

**S** - STN Positive, Yellow-green

**G** - STN Positive, Gray

**B** - STN Negative, Blue

**F** - FSTN Positive, White

**K** - FSTN Negative, Black

**L** - FSTN Negative, Blue

(7) Polarizer mode

**R** - Reflective

**F** - Transflective

**M** - Transmissive

(8) Backlight type

**N** - Without backlight

**L** - Array LED

**D** - Edge light LED

**E** - EL

**C** - CCFL

(9) Backlight color

**Y** - Yellow-green

**B** - Blue

**W** - White

**G** - Green

**A** - Amber

**R** - Red

**M** - Multi color

**Nil** - Without backlight

(10) Operating temperature range

**S** - Standard temperature ( 0 ~ +50 °C )

**H** - Extended Temperature ( -20 ~ +70 °C )

(11) Viewing direction

**3** - 3:00

**6** - 6:00

**9** - 9:00

**U** - 12:00

(12) DC-DC Converter

**N or Nil** - Without DC-DC converter

**V** - Built in DC-DC converter

(13) Version code

**0~ZZZ** - Version code



## 10. PRECAUTIONS FOR USE OF LCD MODULE

### 10.1 Handling Precautions

- 1) The display panel is made of glass. Do not subject it to a mechanical shock by dropping it from a high place, etc.
- 2) If the display panel is damaged and the liquid crystal substance inside it leaks out, be sure not to get any in your mouth. If the substance comes into contact with your skin or clothes, promptly wash it off using soap and water.
- 3) Do not apply excessive force on the surface of display or the adjoining areas of LCD module since this may cause the color tone to vary.
- 4) The polarizer covering the display surface of the LCD module is soft and easily scratched. Handle this polarizer carefully.
- 5) If the display surface of LCD module becomes contaminated, blow on the surface and gently wipe it with a soft dry cloth. If it is heavily contaminated, moisten cloth with one of the following solvents.

- Isopropyl alcohol
- Ethyl alcohol

Solvents other than those mentioned above may damage the polarizer.

Especially, do not use the following:

- Water
  - Ketone
  - Aromatic Solvents
- 6) When mounting the LCD module make sure that it is free of twisting, warping, and distortion. Distortion has great influence upon display quality. Also keep the stiffness enough regarding the outer case.
  - 7) Be sure to avoid any solvent such as flux for soldering never stick to Heat-Seal. Such solvent on Heat-Seal may cause connection problem of heat-Seal and TAB.
  - 8) Do not forcibly pull or bend the TAB I/O terminals.
  - 9) Do not attempt to disassemble or process the LCD module.
  - 10) NC terminal should be open. Do not connect anything.
  - 11) If the logic circuit power is off, do not apply the input signals.
  - 12) To prevent destruction of the elements by static electricity, be careful to maintain an optimum work environment.
    - Be sure to ground the body when handling the LCD module.
    - Tools required for assembly, such as soldering irons, must be properly grounded.
    - To reduce the amount of static electricity generated, do not conduct assembly and other work under dry conditions.
    - The LCD module is coated with a film to protect the display surface. Exercise care when peeling off this protective film since static electricity may be generated.

### 10.2 Storage Precautions

- 1) When storing the LCD module, avoid exposure to direct sunlight or to the light of fluorescent lamps and high temperature/high humidity. Whenever possible, the LCD module should be stored in the same conditions in which they were shipped from our company.
- 2) Exercise care to minimize corrosion of the electrodes. Corrosion of the electrodes is accelerated by water droplets or a current flow in a high humidity environment.

### 10.3 Design Precautions

- 1) The absolute maximum ratings represent the rated value beyond which LCD module can not exceed. When the LCD modules are used in excess of this rated value, their operating characteristics may be adversely affected.
- 2) To prevent the occurrence of erroneous operation caused by noise, attention must be paid to satisfy VIL, VIH specification values, including taking the precaution of using signal cables that are short.
- 3) The liquid crystal display exhibits temperature dependency characteristics. Since recognition of the display becomes difficult when the LCD is used outside its designated operating temperature range, be sure to use the LCD within this range. Also, keep in mind that the LCD driving voltage levels necessary for clear displays will vary according to temperature.
- 4) Sufficiently notice the mutual noise interference occurred by peripheral devices.
- 5) To cope with EMI, take measures basically on outputting side.
- 6) If DC is impressed on the liquid crystal display panel, display definition is rapidly deteriorated by the electrochemical reaction that occurs inside the liquid crystal display panel. To eliminate the opportunity of DC impressing, be sure to maintain the AC characteristics of the input signals sent to the LCD Module.

### 10.4 Others

- 1) Liquid crystals solidify under low temperatures (below the storage temperature range) leading to defective orientation or the generation of air bubbles (black or white).  
Air bubbles may also be generated if the LCD module is subjected to a strong shock at a low temperature.
- 2) If the LCD modules have been operating for a long time showing the same display patterns, the display patterns may remain on the screen as ghost images and a slight contrast irregularity may also appear. A normal operating status can be regained by suspending use for some time. It should be noted that this phenomenon does not adversely affect performance reliability.
- 3) To minimize the performance degradation of the LCD modules resulting from destruction caused by static electricity, etc., exercise care to avoid touching the following sections when handling the module:
  - Terminal electrode sections.
  - Part of pattern wiring on TAB, etc.