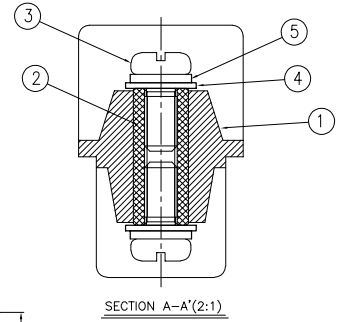
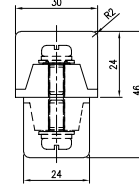
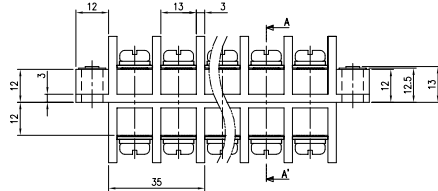
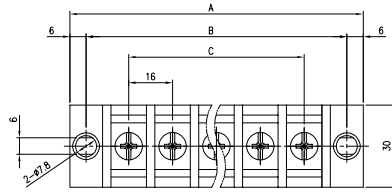


BR-1600YD

(2~12P)



- Rating : 600V 60A(D)/300V 60A(B,C)
- Insulation Resistance : More Than 1000MΩ DC 500V
- Withstand Voltage : AC2000V Per Minute
- Wire Size / Range : AWG8~10
- Maximum Acceptable Temperature : -40°C ~ +85°C

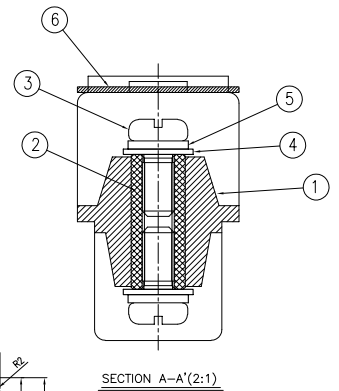
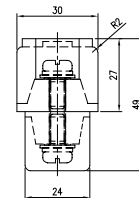
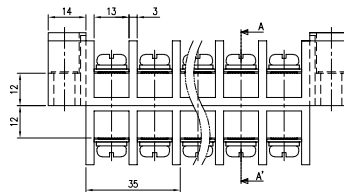
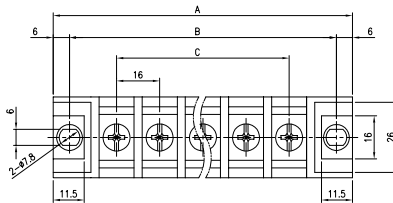
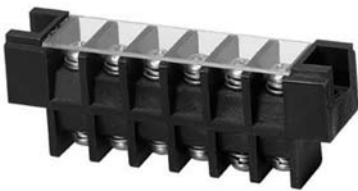
No	Component Part	Material	Standard	Plated	Remark
1	Frame	P.B.T.	UL94V-0	-	-
2	INSERT	BRASS	C3604BD	-	M6 * 14
3	Screw	SWCH10A	-	Ni	-
4	Plate Washer	SPCC	-	Ni	Ø 11.9 * Ø 5.6
5	Spring Washer	HSWR62	-	-	Ø 11.2 * Ø 5.6

A-B-C Dimension

P	1	2	3	4	5	6	7	8	9	10	11	12
A±0.8	-	63	79	95	111	127	143	159	175	191	207	223
B±0.8	-	47	63	79	95	111	127	143	159	175	191	207
C±0.5	-	16	32	48	64	80	96	112	128	144	160	176

BR-1600YDC

(2~12P)



- Rating : 600V 60A(D)/300V 60A(B,C)
- Insulation Resistance : More Than 1000MΩ DC 500V
- Withstand Voltage : AC2000V Per Minute
- Wire Size / Range : AWG8~10
- Maximum Acceptable Temperature : -40°C ~ +85°C

No	Component Part	Material	Standard	Plated	Remark
1	Frame	P.B.T.	UL94V-0	-	-
2	INSERT	BRASS	C3604BD	-	-
3	Screw	SWCH10A	-	Ni	M6 * 14
4	Plate Washer	SPCC	-	Ni	Ø 11.9 * Ø 5.6
5	Spring Washer	HSWR62	-	Ni	Ø 11.2 * Ø 5.6
6	Cover	HSWR62	-	-	NAT

A-B-C Dimension

P	1	2	3	4	5	6	7	8	9	10	11	12
A±0.8	-	63	79	95	111	127	143	159	175	191	207	223
B±0.8	-	47	63	79	95	111	127	143	159	175	191	207
C±0.5	-	16	32	48	64	80	96	112	128	144	160	176

Through