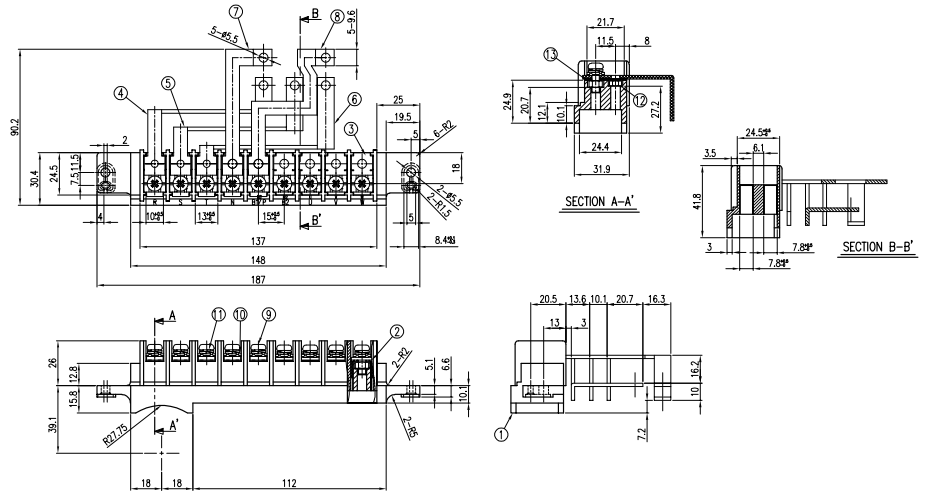


# BR-1500PD

(9P)

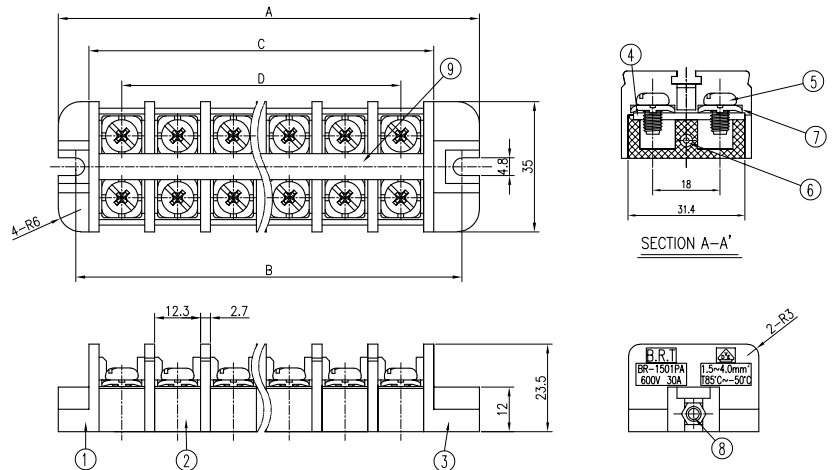


- Rating : 600V 30A
- Insulation Resistance : More Than 1000MΩ DC 500V
- Withstand Voltage : AC2500V Per Minute
- Wire Size / Range : AWG10 ~ 18
- Maximum Acceptable Temperature : -40°C ~ +85°C

No	Component Part	Material	Standard	Plated	Remark	NO	Component Part	Material	Standard	Plated	Remark
1	Frame	P.B.T.	UL94V-0	-	-	8	Bus Bar #6	BRASS	C2680	Sn	t2.0
2	Terminal	BRASS	C2680	Sn	-	9	Screw	SWCH10A	-	Ni	-
3	Bus Bar #1	BRASS	C2680	Sn	t1.6	10	Washer	SPCC	-	Ni	12.5 * 9.7
4	Bus Bar #2	BRASS	C2680	Sn	t2.0	11	Spring Washer	HSWR62	-	Ni	Ø 8.3
5	Bus Bar #3	BRASS	C2680	Sn	t2.0	12	Hex Nut #1	SWCH10A	-	Ni	M4 6.8 * 7.9
6	Bus Bar #4	BRASS	C2680	Sn	t2.0	13	Hex Nut #2	SWCH10A	-	Ni	M5 7.8 * 9.0
7	Bus Bar #5	BRASS	C2680	Sn	t2.0						

# BR-1501PA

(2~10)



- Rating : 600V 30A
- Insulation Resistance : More Than 1000MΩ DC 500V
- Withstand Voltage : AC2500V Per Minute
- Wire Size / Range : AWG10 ~ 18
- Maximum Acceptable Temperature : -40°C ~ +85°C

No	Component Part	Material	Standard	Plated	Remark
1	Frame #1	P.C.	UL94V-0	-	-
2	Frame #2	P.C.	UL94V-0	-	-
3	Side Cover	P.C.	UL94V-0	-	-
4	Terminal Plate	BRASS	C2680	Ni	-
5	Screw #1	SWCH10A	-	Cr+3	M5 * 11
6	Washer	SPCC	-	Ni	□ 11.8 * 11.8
7	Screw #2	SWCH10A	-	Ni	M3 * C
8	Hexagon Nut	SWCH10A	-	Ni	M3 * P0.5
9	Label	P.V.C	-	-	White

## A-B-C-D Dimension

P	1	2	3	4	5	6	7	8	9	10
A±0.8	-	53.2	68.2	83.2	98.2	113.2	128.2	143.2	158.2	173.2
B±0.5	-	43.8	58.8	73.8	88.8	103.8	118.8	133.8	148.8	163.8
C±0.5	-	32.7	47.7	62.7	77.7	92.7	107.7	122.7	137.7	152.7
D±0.5	-	15	30	45	60	75	90	105	120	135