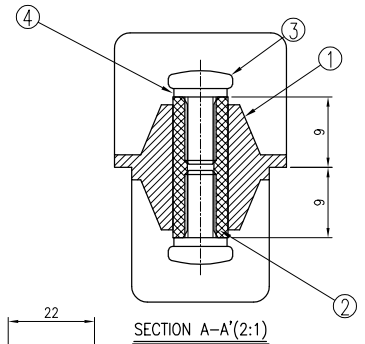
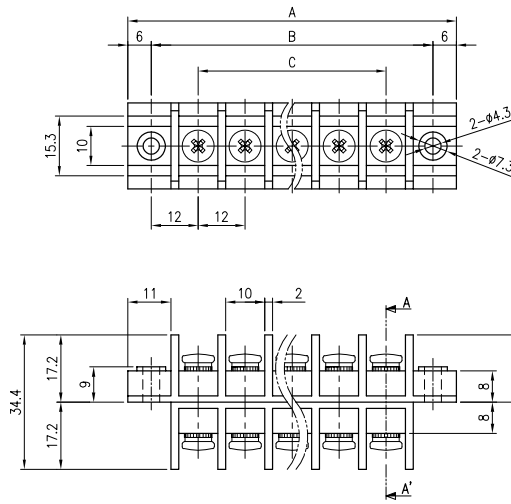


BR-1200YD

(2~20P)



- Rating : 600V 30A
- Insulation Resistance : More Than 1000MΩ DC 500V
- Withstand Voltage : AC2000V Per Minute
- Wire Size / Range : AWG8~16
- Maximum Acceptable Temperature : -40°C ~ +85°C

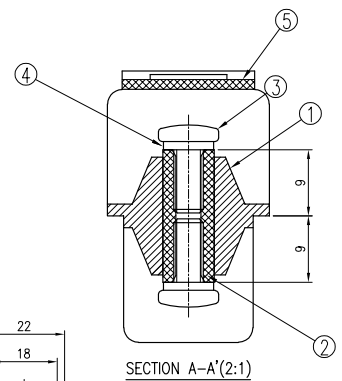
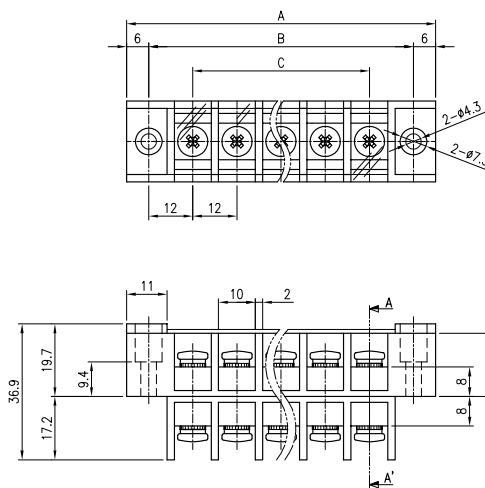
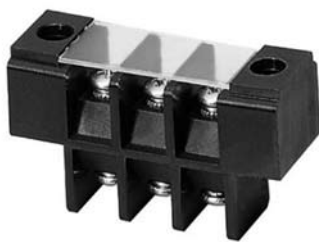
No	Component Part	Material	Standard	Plated	Remark
1	Frame	P.B.T.	UL94V-0	-	-
2	INSERT	BRASS	C3604BD	-	-
3	Screw	SWCH10A	-	Ni	M4 * 9
4	Spring Washer	HSWR62	-	Ni	Ø 6.7 * Ø 3.7

A-B-C Dimension

P	1	2	3	4	5	6	7	8	9	10	11	12	13	14	15	16	17	18	19	20
A±0.8	-	48	60	72	84	96	108	120	132	144	156	168	180	192	204	216	228	240	252	264
B±0.8	-	36	48	60	72	84	96	108	120	132	144	156	168	180	192	204	216	228	240	252
C±0.5	-	12	24	36	48	60	72	84	96	108	120	132	144	156	168	180	192	204	216	228

BR-1200YDC

(2~20P)



- Rating : 600V 30A
- Insulation Resistance : More Than 1000MΩ DC 500V
- Withstand Voltage : AC2000V Per Minute
- Wire Size / Range : AWG8~16
- Maximum Acceptable Temperature : -40°C ~ +85°C

No	Component Part	Material	Standard	Plated	Remark
1	Frame	P.B.T.	UL94V-0	-	-
2	INSERT	BRASS	C3604BD	-	-
3	Screw	SWCH10A	-	Ni	M4 * 9
4	Washer	HSWR62	-	Ni	Ø 6.7 * Ø 3.7
5	Cover	P.V.C.	-	-	NP

A-B-C Dimension

P	1	2	3	4	5	6	7	8	9	10	11	12	13	14	15	16	17	18	19	20
A±0.8	-	48	60	72	84	96	108	120	132	144	156	168	180	192	204	216	228	240	252	264
B±0.8	-	36	48	60	72	84	96	108	120	132	144	156	168	180	192	204	216	228	240	252
C±0.5	-	12	24	36	48	60	72	84	96	108	120	132	144	156	168	180	192	204	216	228

Through