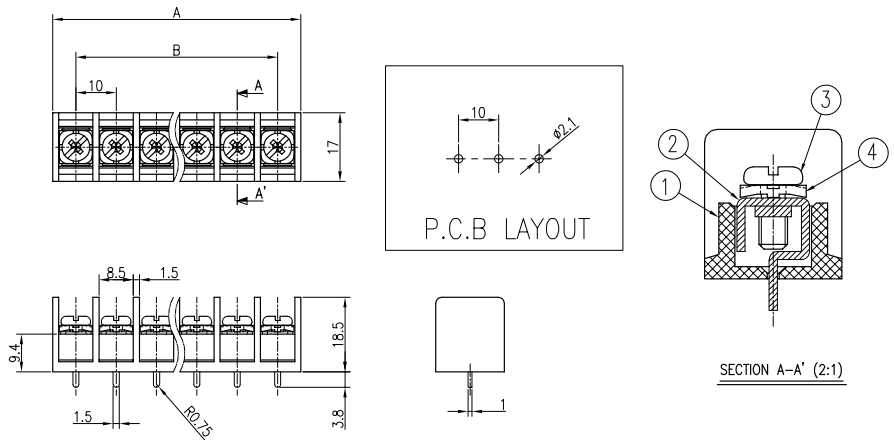


BR-1000C

(2~20P)



※ Cover Option

- Rating : 250V 20A
- Insulation Resistance : More Than 1000MΩ DC 500V
- Withstand Voltage : AC2000V Per Minute
- Wire Size / Range : AWG14~22
- Maximum Acceptable Temperature : -40°C ~ +85°C

No	Component Part	Material	Standard	Plated	Remark
1	Frame	P.B.T.	UL94V-0	-	-
2	Terminal	BRASS	C2680R	Sn	-
3	Screw	SWCH10A	-	Ni	M3.5*8
4	WASHER	SPCC	-	Ni	□ 8.2*8.2

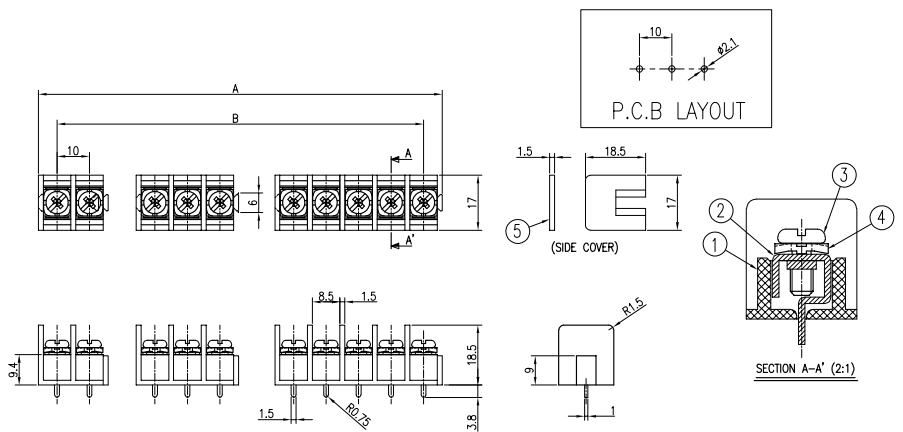
A-B Dimension

P	1	2	3	4	5	6	7	8	9	10	11	12	13	14	15	16	17	18	19	20
A±0.8	-	21.5	31.5	41.5	51.5	61.5	71.5	81.5	91.5	101.5	111.5	121.5	131.5	141.5	151.5	161.5	171.5	181.5	191.5	201.5
B±0.5	-	10	20	30	40	50	60	70	80	90	100	110	120	130	140	150	160	170	180	190

P.C.B

BR-1001C

(2,3,5P ASSEMBLE)



- Rating : 250V 20A
- Insulation Resistance : More Than 1000MΩ DC 500V
- Withstand Voltage : AC2000V Per Minute
- Wire Size / Range : AWG14~22
- Maximum Acceptable Temperature : -40°C ~ +85°C

No	Component Part	Material	Standard	Plated	Remark
1	Frame	P.B.T.	UL94V-0	-	-
2	Terminal	BRASS	C2680R	Sn	-
3	Screw	SWCH10A	-	Ni	M3.5*8
4	WASHER	SPCC	-	Ni	□ 8.2*8.2
5	Side Cover	P.B.T.	UL94V-0	-	-

A-B Dimension

P	1	2	3	4	5	6	7	8	9	10	11	12	13	14	15	16	17	18	19	20
A±0.8	-	21.5	31.5	41.5	51.5	61.5	71.5	81.5	91.5	101.5	111.5	121.5	131.5	141.5	151.5	161.5	171.5	181.5	191.5	201.5
B±0.5	-	10	20	30	40	50	60	70	80	90	100	110	120	130	140	150	160	170	180	190

※ 조립식 단자대는 경우에 따라 수축(또는 조립) 공차가 발생할 수 있습니다.