

1 2 3 4 5 6 7 8 9

G G

F F

E E

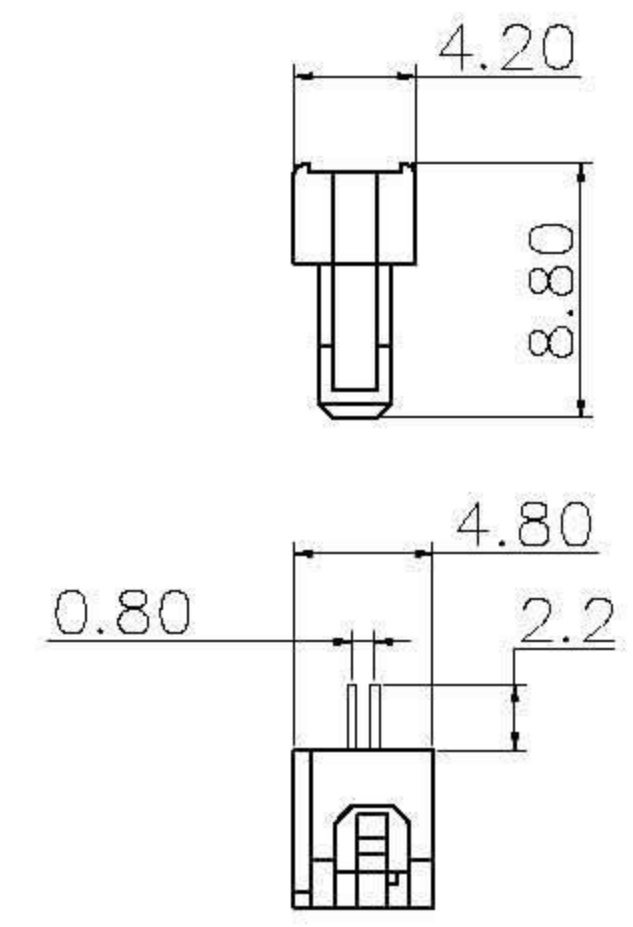
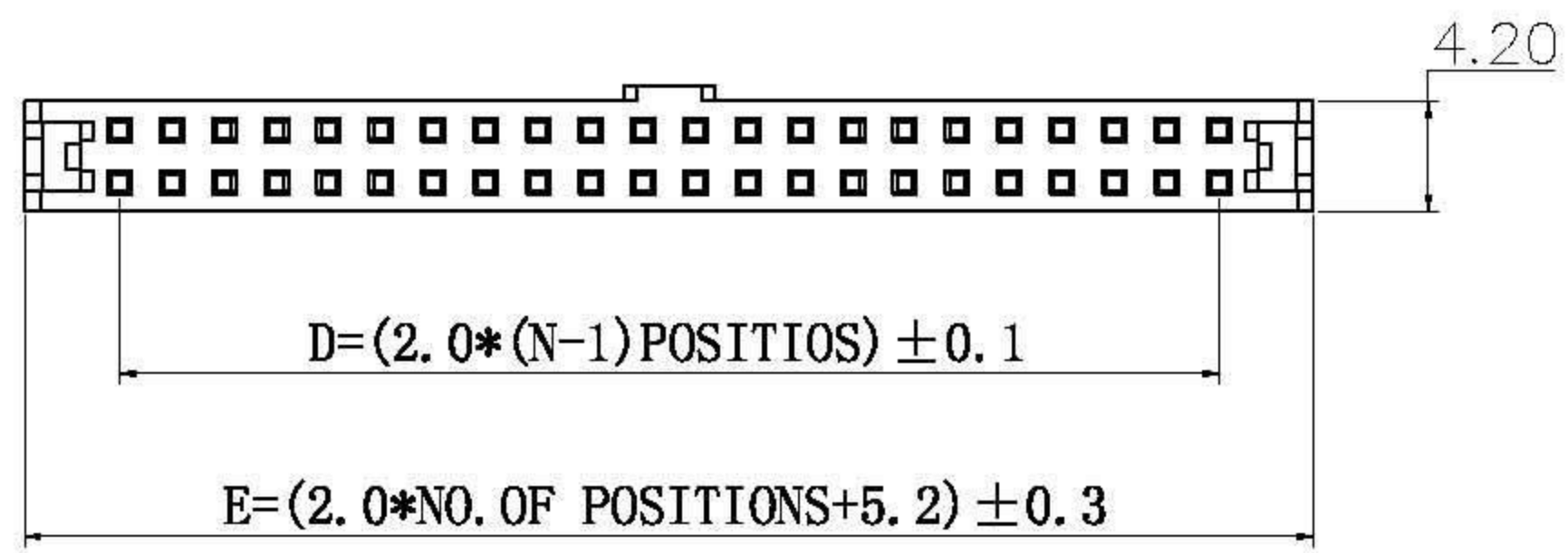
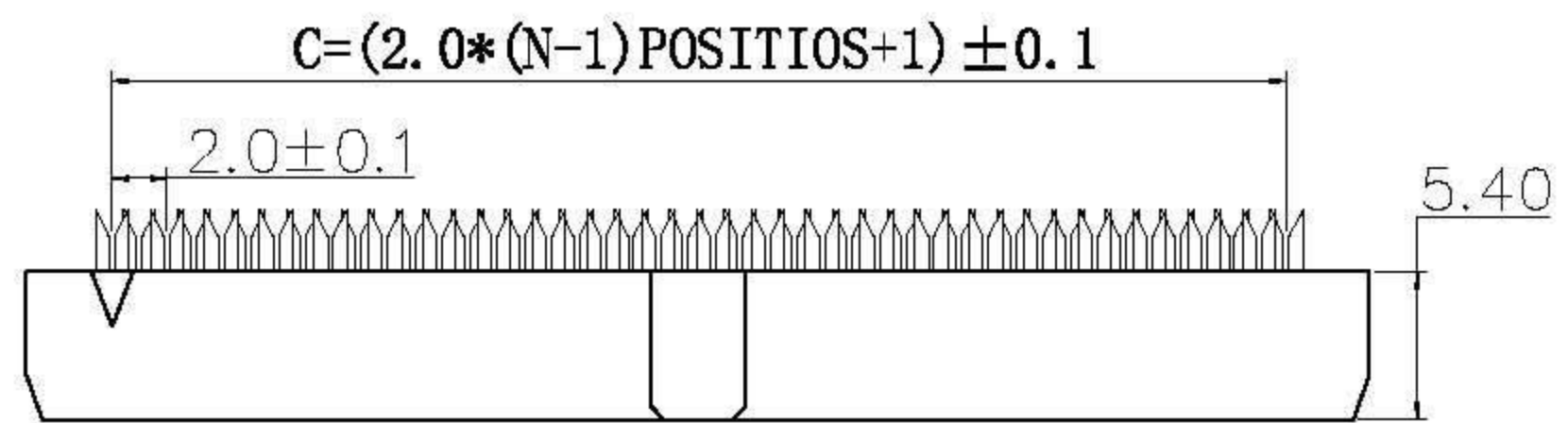
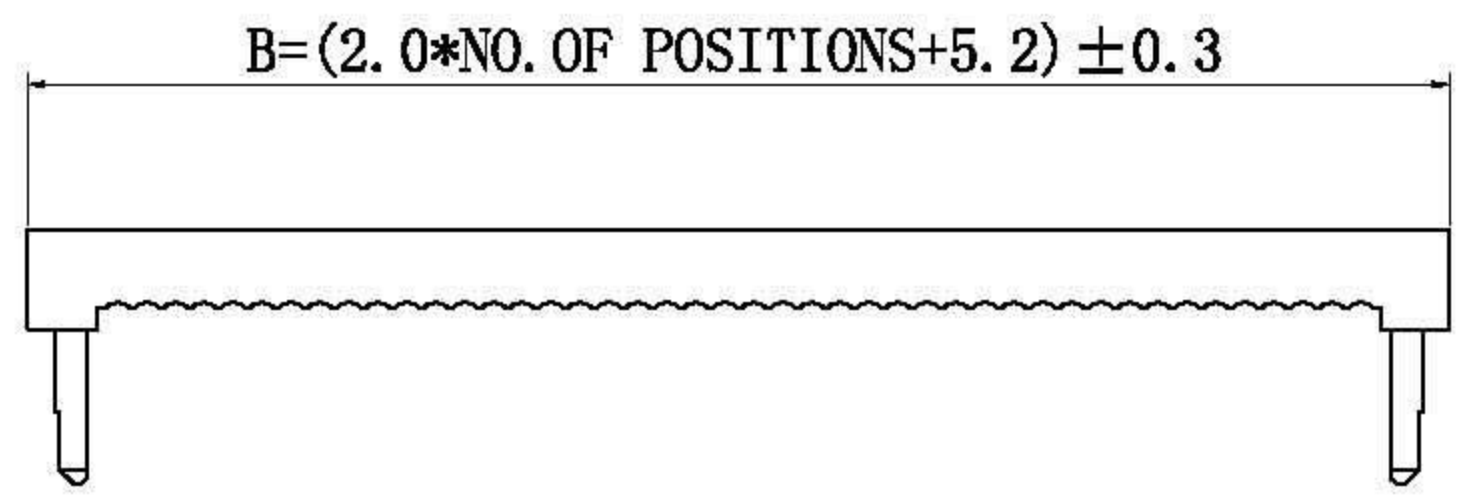
D D

C C

B B

A A

1 2 3 4 5 6 7 8 9



规格	尺寸	DIM. B	DIM. C	DIM. D	DIM. E
6PIN		11.20	5.00	4.00	11.20
8PIN		13.20	7.00	6.00	13.20
10PIN		15.20	9.00	8.00	15.20
12PIN		17.20	11.00	10.00	17.20
14PIN		19.20	13.00	12.00	19.20
16PIN		21.20	15.00	14.00	21.20
18PIN		23.20	17.00	16.00	23.20
20PIN		25.20	19.00	18.00	25.20
24PIN		29.20	23.00	22.00	29.20
26PIN		31.20	25.00	24.00	31.20
30PIN		35.20	29.00	28.00	35.20
34PIN		39.20	33.00	32.00	39.20
40PIN		45.20	39.00	38.00	45.20
44PIN		49.20	43.00	42.00	49.20
50PIN		55.20	49.00	48.00	55.20
68PIN		73.20	67.00	66.00	73.20

UNLESS OTHERWISE SPECIFIED TOLERANCE		DRAWN NAME:			
X : ±0.3	X' : ±5°	2.0 IDC 两件式 NPin			
XX : ±0.2	XX' : ±1°	SIZE	A4	SCALE	N:1
XXX : ±0.1	XXX' : ±0.5°	REV	A	UNIT	mm
		PROJECT		PAGE	1/1
DRAW:	吴奇	CHECKED:		APPROVED:	
DATE:	09/10/10	DATE:		DATE:	