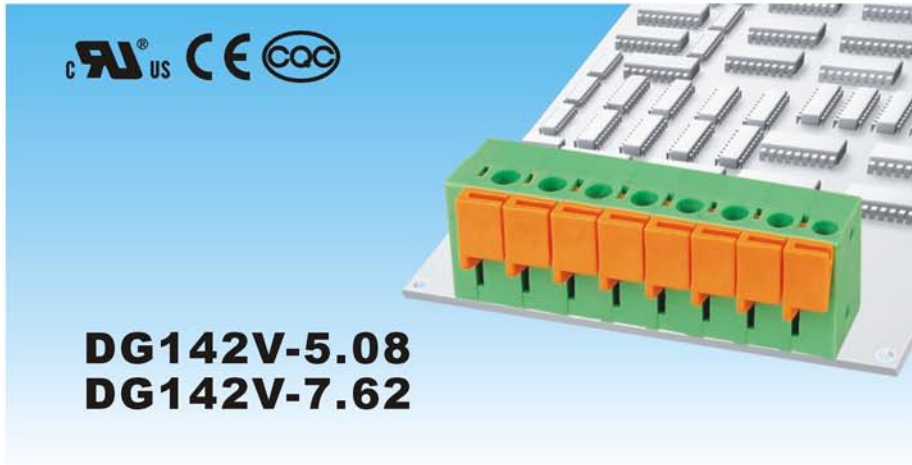


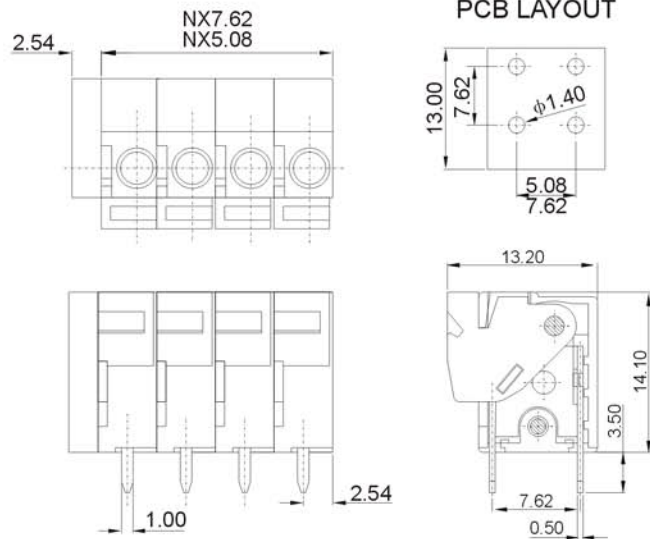


DEGSON ELECTRONICS CO., LTD.

Product Specification



Material	
Wire guard:	Stainless steel
Pin header:	Brass, Tin plated
Housing :	PA66, UL94V-0
Electrical	
Rated voltage :	300V
Rated current :	10A
Contact resistance :	20mΩ
Insulation resistance :	5000MΩ /DC1000V
Withstanding voltage:	AC2000V/1Min
Wire range :	22-16AWG 1.5mm ²
Mechanical	
Temp. Range :	-40°C~+105°C
Strip length :	10mm



HOW TO ORDER:

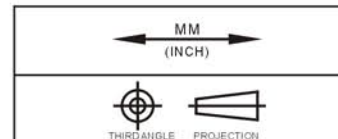


Series No.

No of Pole

Color

1 Gray	4 Green	7 Trans- parent
2 Blue	5 Orange	8 Yellow
3 Black	6 Red	9 White



DEGSON ELECTRONICS CO., LTD.

NAME

DG142V-5.08
DG142V-7.62