

3224W - 12 TURN - : 020300031



- * 가
- * : Cermet
- * : 10 ~ 2M
- * : (12turn)

(Product Features)

RoHS : Y

- : Multi Turn
- : 10 ~ 2M
- : 4.8 mm W x 5.1 mm L
- : - 65 C to + 150 C
- : 250 mW (1/4 W)
- : 100 PPM / C
- : SMD/SMT

" 가 " " & "가 .

(Key information)

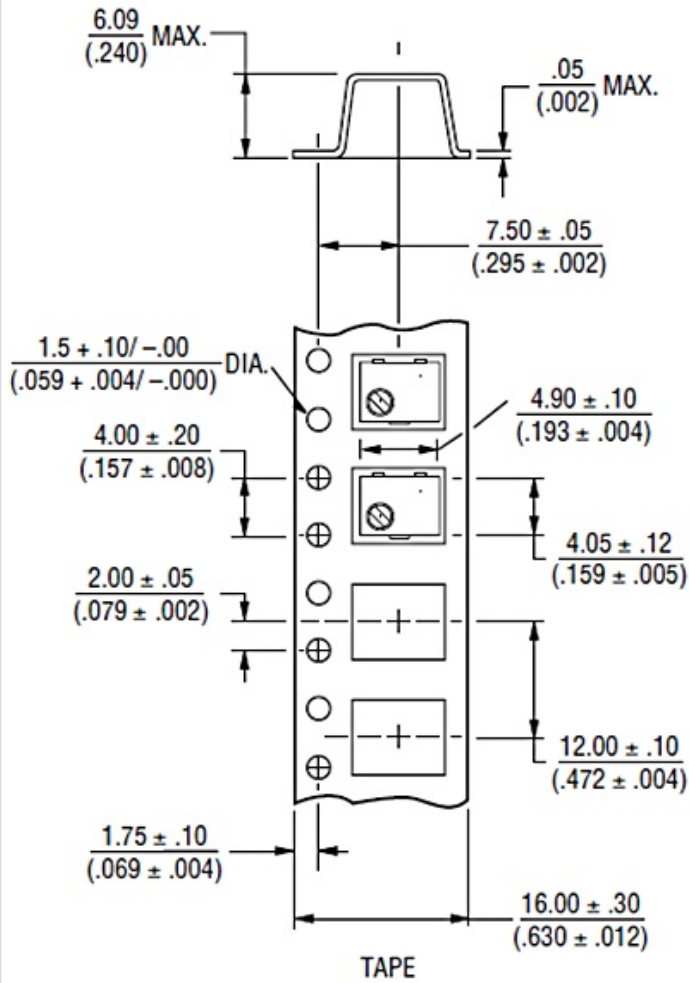
	10 ~ 2M
	12 turn
Power Rating (300 volts max.)	85 ° C / 0.25 watt
Power Rating (300 volts max.)	150 ° C / 0 watt
Resistance Tolerance	± 10 % std.
Rotational Life	200 cycles

	10 ~ 2M
Resistance Tolerance	± 10 % std.
Absolute Minimum Resistance	1.0 % or 2 ohms max.
Contact Resistance Variation	1.0 % or 3 ohm max
Resolution	Essentially Infinite
Insulation Resistance	500 vdc. 100 megohms min.
Sea Level	600 vac (1 minute)
Adjustment Angle	12 turns nom.

Power Rating (400 volts max.)	85 ° C / 0.25 watt
Power Rating (400 volts max.)	150 ° C / 0 watt
Temperature Range	- 65 ° C to +155 ° C
Temperature Coefficient	± 100 ppm/ ° C
Thermal Shock	5 cycles
Humidity	MIL - STD 202 Method 106
Vibration	100 G TRS ± 1 %; VRS ± 1 %
TRS	3 ohms or 3 %
Load Life	85 ° C rated power 1,000 hours
Rotational Life	200 cycles

Technical Data	
Torque	180 g - cm max.
Mechanical Stops	Wiper idles
Terminals	Solderable pins
Weight	Approximately 0.01 oz.
Wiper	50 % (Actual TR) ± 10 %
Flammability	U.L. 94V - 0

Dimension

W Style


3224W DIMENSION

