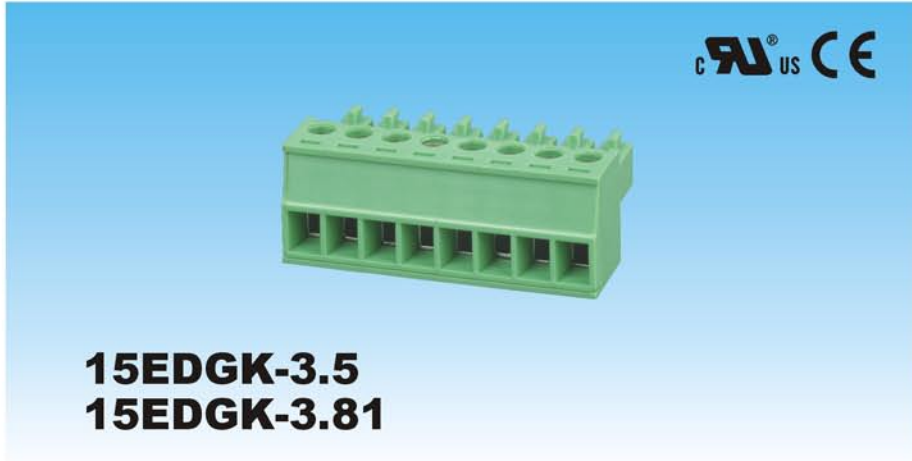


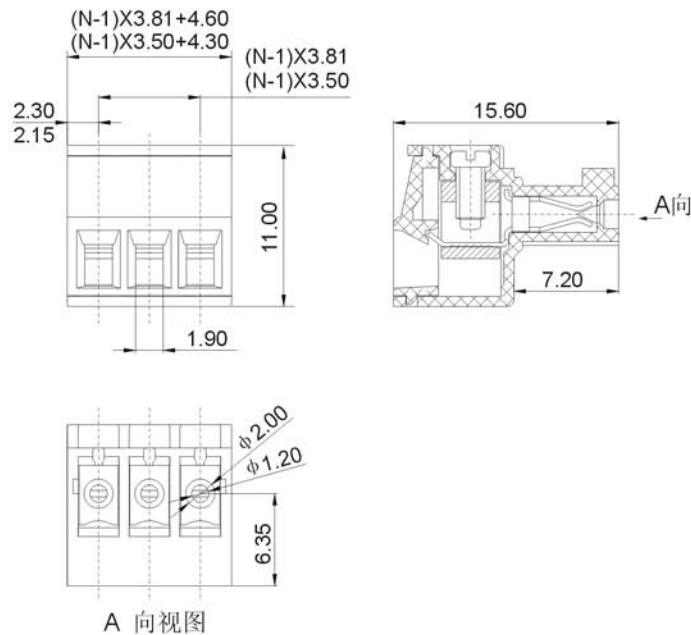


# DEGSON ELECTRONICS CO., LTD.

## Product Specification

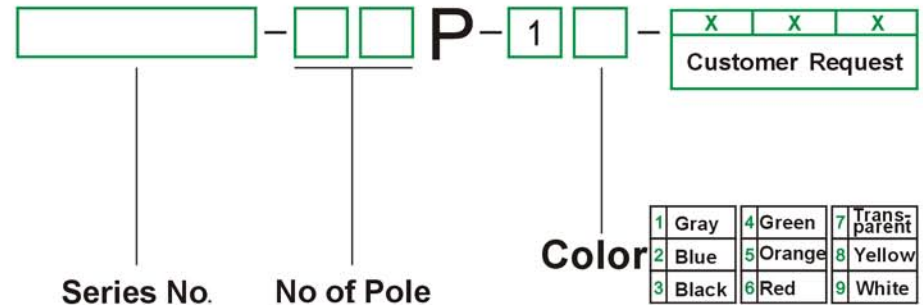


**15EDGK-3.5**  
**15EDGK-3.81**



Material	
Screws :	M2 steel Zinc plated
Contact :	Phosphor bronze
Housing :	PA66, UL94V-0
Electrical	
Rated voltage :	300V
Rated current :	8A
Contact resistance :	20mΩ
Insulation resistance :	5000MΩ /DC 1000V
Withstanding voltage:	AC2000V/1Min
Wire range :	28-16AWG 1.5mm <sup>2</sup>
Mechanical	
Temp. Range :	-40°C~+105°C
Torque :	0.2Nm(1.7lb.in)
Strip length :	6-7mm

### HOW TO ORDER:



	<b>DEGSON ELECTRONICS CO., LTD.</b>
	NAME <b>15EDGK-3.5</b> <b>15EDGK-3.81</b>