

CRAZYBOYS S5PC100 EVB

Project Name : Mango100

Revision : V0.2

DATE:2010.01.25

Table Of Contents

01. TITLE (This Page)
02. SYSTEM BLOCK DIAGRAM
03. REVISION HISTORY
04. CPU(S5PC100) PART A
05. CPU(S5PC100) PART B
06. CPU(S5PC100) PART C
07. CPU(S5PC100) PART D
08. MEMORY[DDR2] : 256MBytes DDR2
09. MEMORY[NAND] : 256MBytes SLC NAND
10. POWER[CPU / MEM / PERIPHERAL]
11. POWER[DC INPUT / CHARGER / PWR ON SWITCH / RESET]
12. AUDIO CODEC [WM8960]
13. ETHERNET [LAN9220]
14. USB [USBHOST/USBOTG/USB_POWER]
15. LCD [5" LCD CONNECTOR/EXPANSION CONNECTOR/BACKLIGHT]
16. MISC_T-FLASH_KEY
17. MISC_IDEHDD
18. MISC_HDMI PORT
19. EXPANSION CONNECTOR
20. DEBUG_JTAG_UART

Part Reference

- U : Component
- C : Capacitor
- R : Resistor
- TC : Tantal Capacitor
- PL : Power Choke Coil
- FB : Ferrite Bead
- CON : Connectors
- JP : Jump Connector
- BT : Backup Battery
- D : Diode
- F : EMI FILTER
- V : ESD Varistor
- LD : Chip LED
- Q : FET
- X : Crystal
- TP : Test Point
- T : Transformer + RJ45 Combo
- F : Chip Fuse

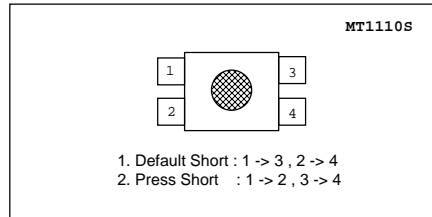
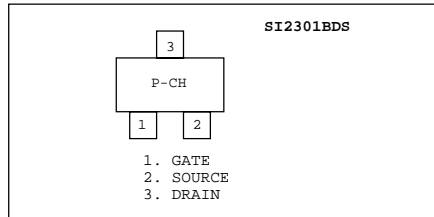
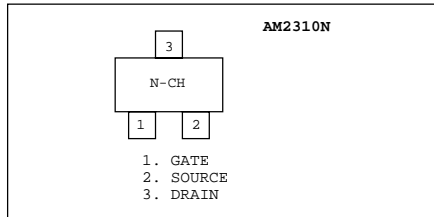
Mango100 (S5PC100 EVB)

Title		
P10-1 - TITLE		
Size A4	Document Number <Doc>	Rev 0.2
Date: Thursday, March 04, 2010	Sheet 1	of 19

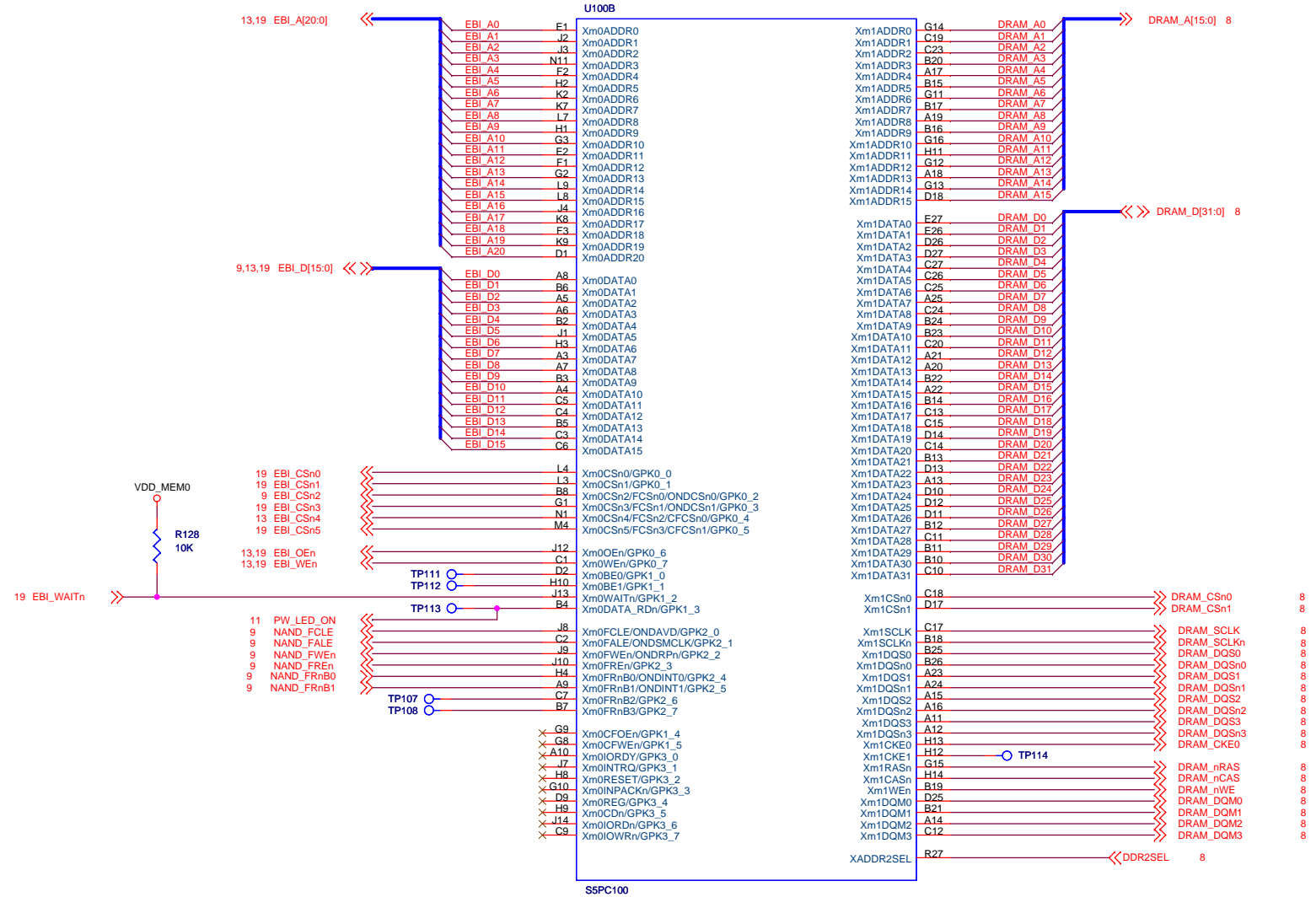
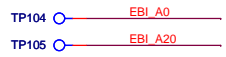
Mango100 (S5PC100 EVB) Revision History

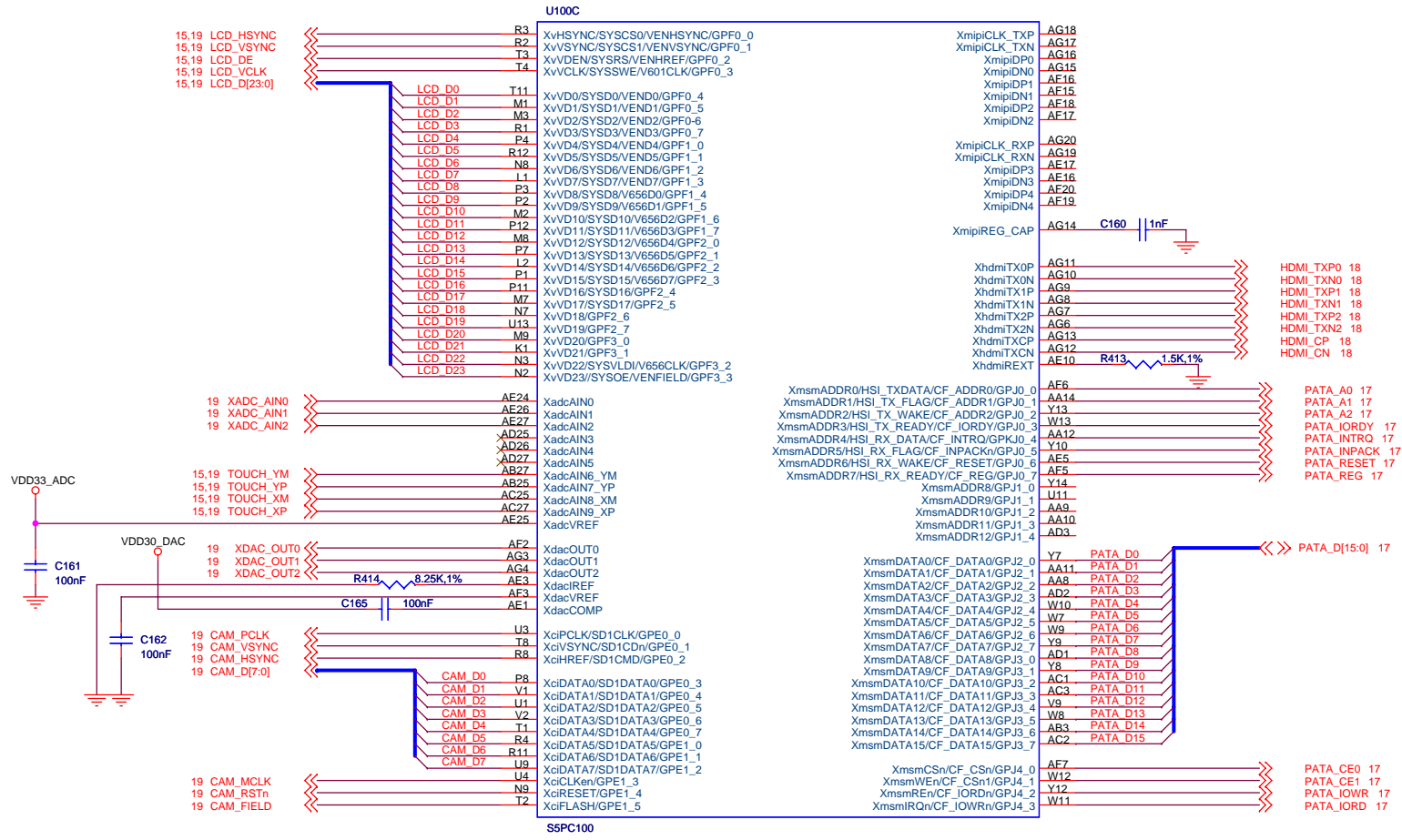
Revision History

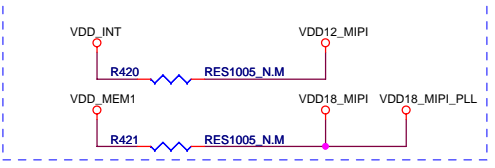
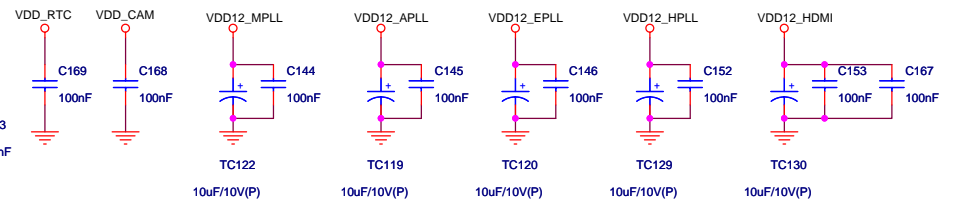
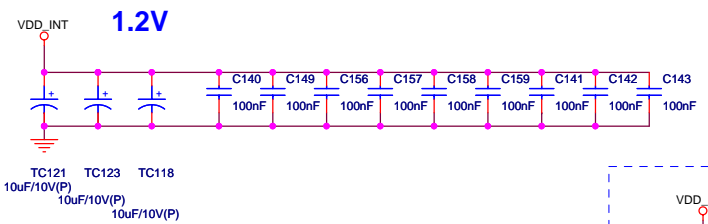
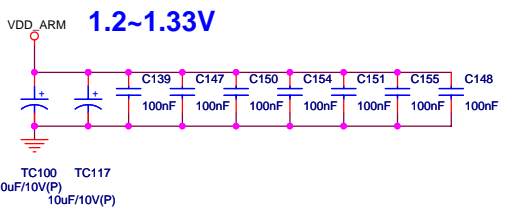
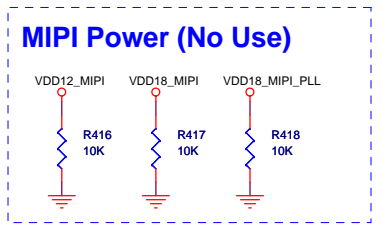
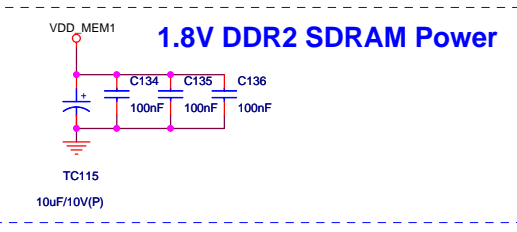
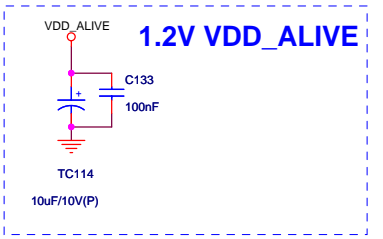
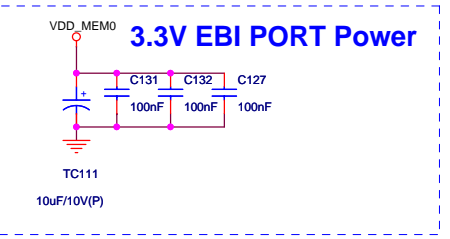
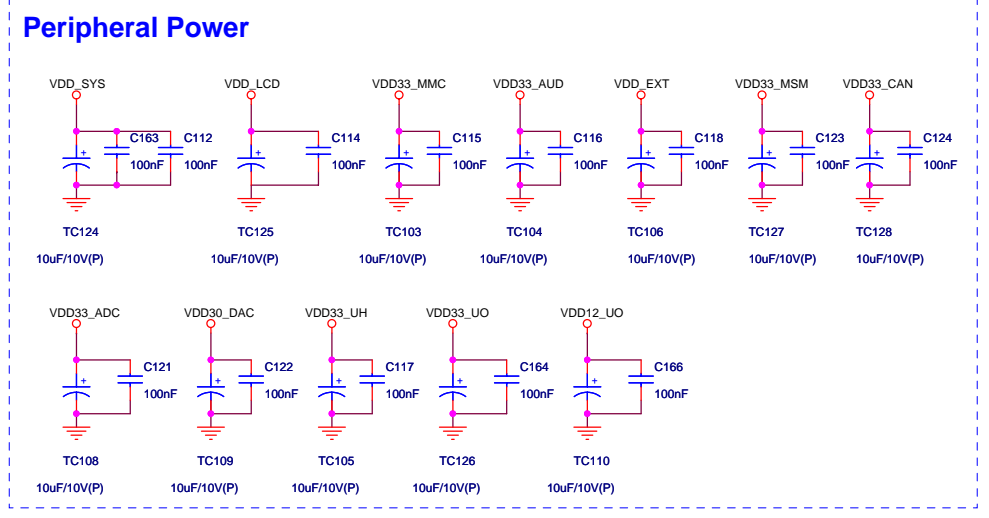
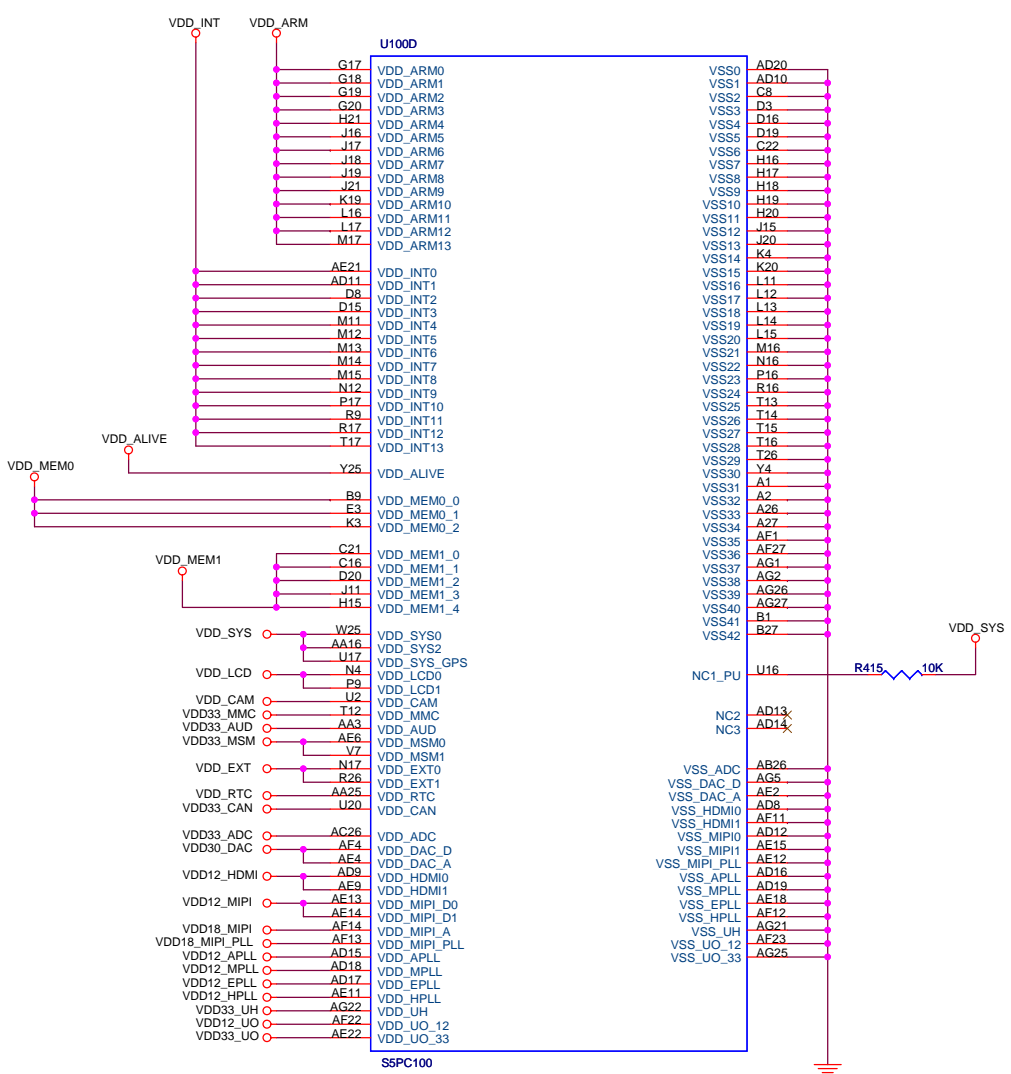
	<p>2010.01.19</p> <p>REV0.2 RELEASE</p>	



CPU(S5PC100) PART B [2/4]

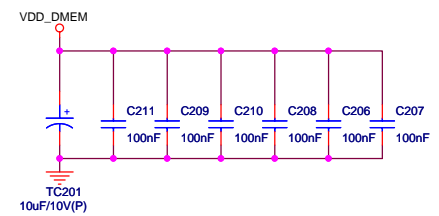
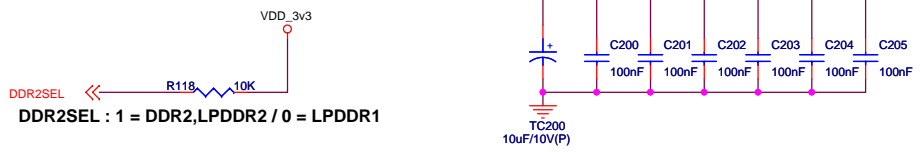
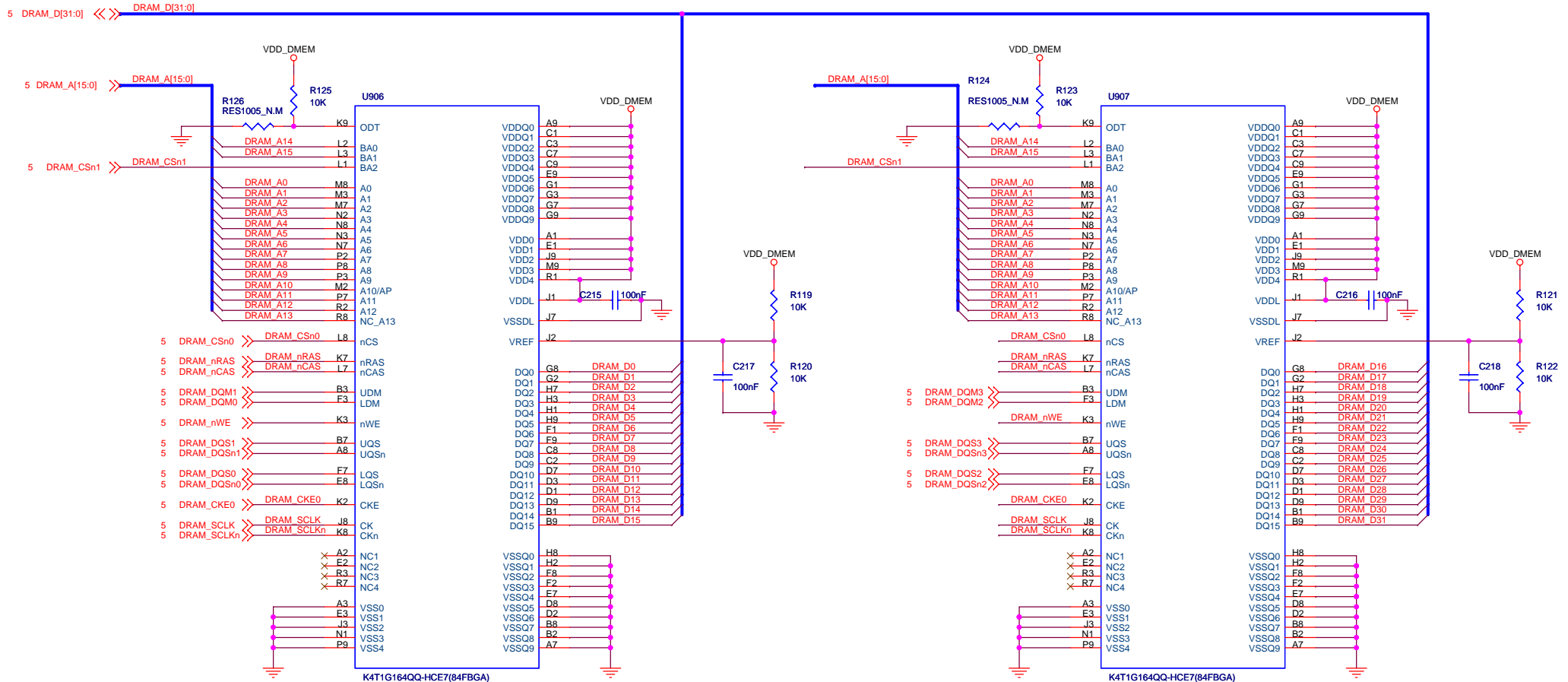






MANGO-C100			
Title P130 - CPU(S5PC100) PART D [4/4]			
Size A3	Document Number <Doc>	Rev 0.2	
Date: Thursday, March 04, 2010	Sheet 6	of 19	

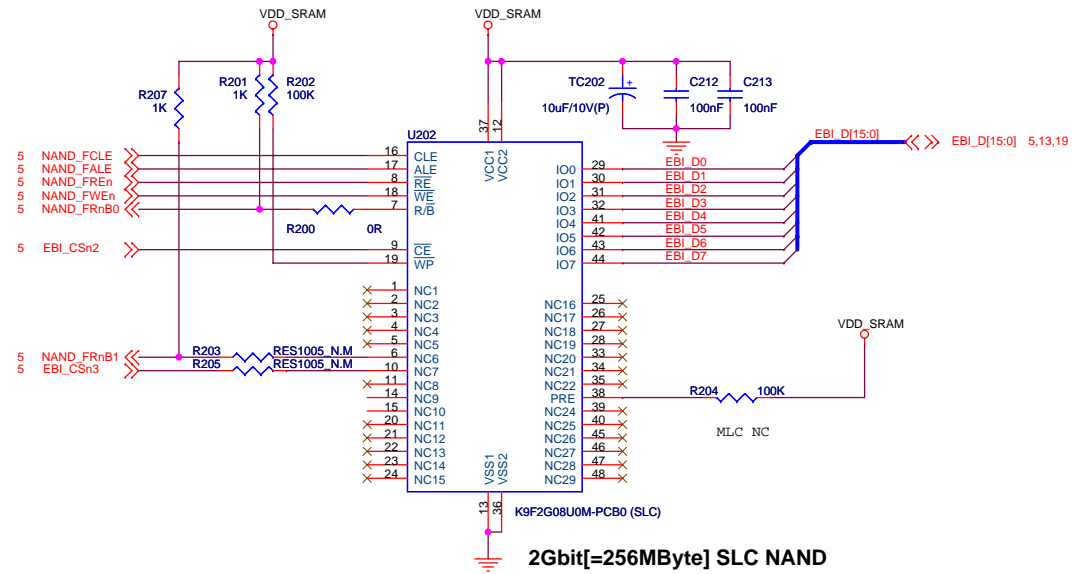
MEMORY[DDR2] : 256MBytes DDR2 SDRAM



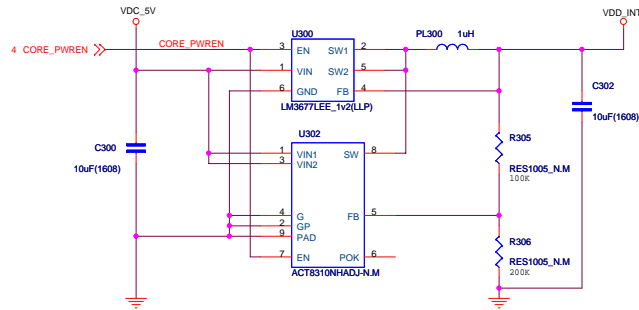
Mango100 - S5PC100 EVB		
Title	P200. MEMORY[DDR2]	
Size	Document Number	Rev
A3	<Doc>	0.2
Date:	Thursday, March 04, 2010	Sheet 7 of 19

MEMORY[NAND/NOR] : 256MBytes NAND

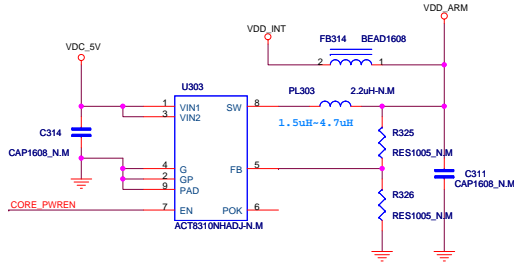
SLC NAND FLASH



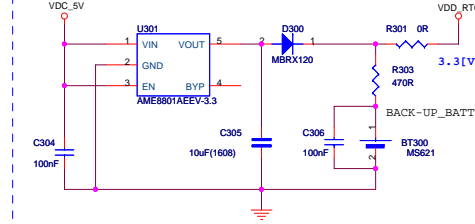
CORE POWER : VDD_INT / VDD_ARM



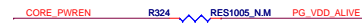
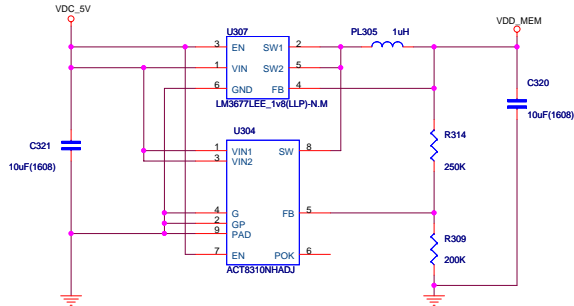
OPTION_POWER



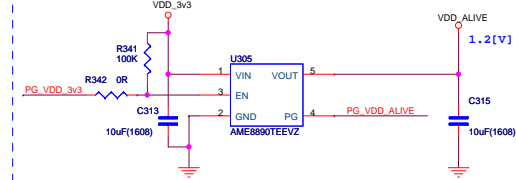
RTC/BACKUP BATT POWER



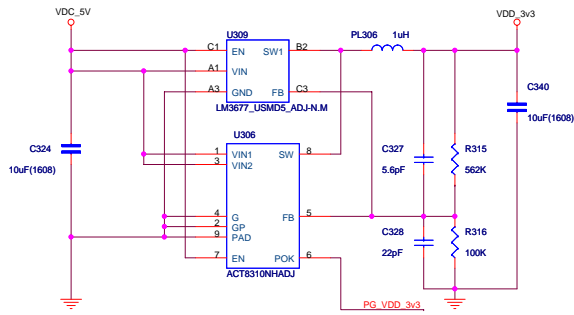
Mobile DDR POWER (1.8V) : VDD_1v8



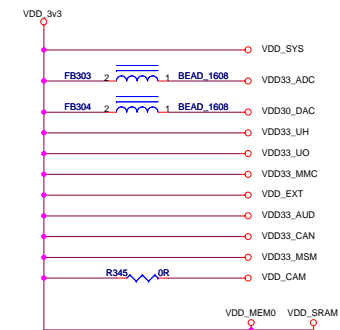
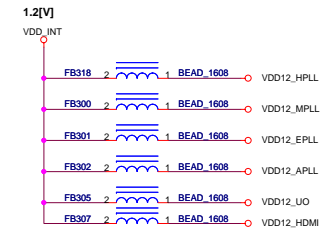
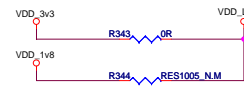
ALIVE-BLOCK POWER



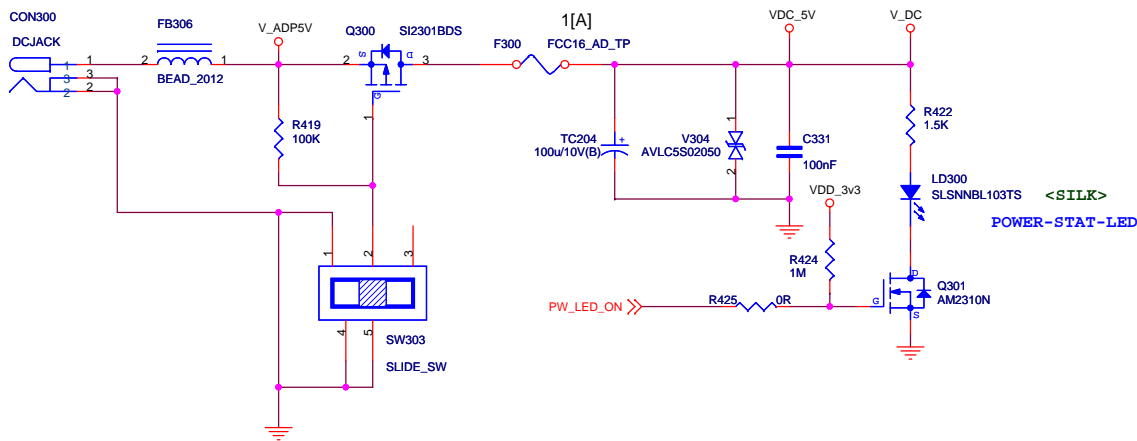
Main POWER : VDD_3v3



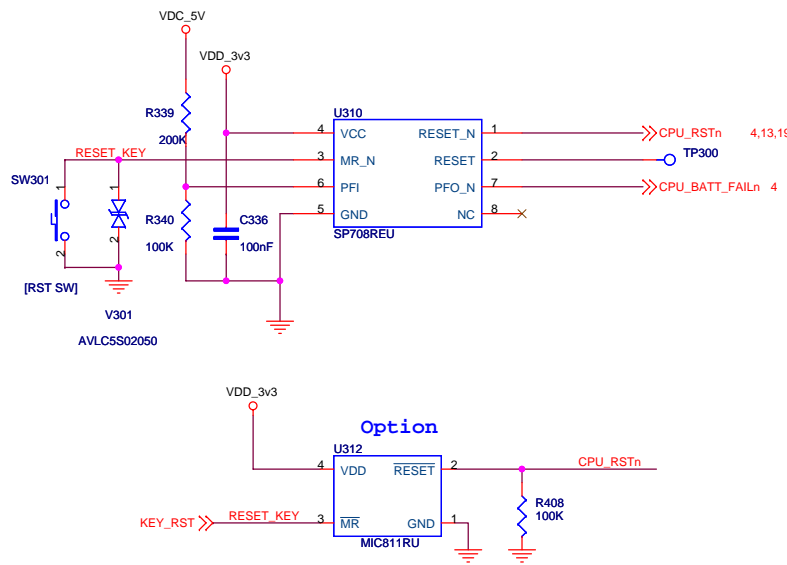
ACT8310 공학시
R315 : 619K, R316:200K



DC 5V INPUT

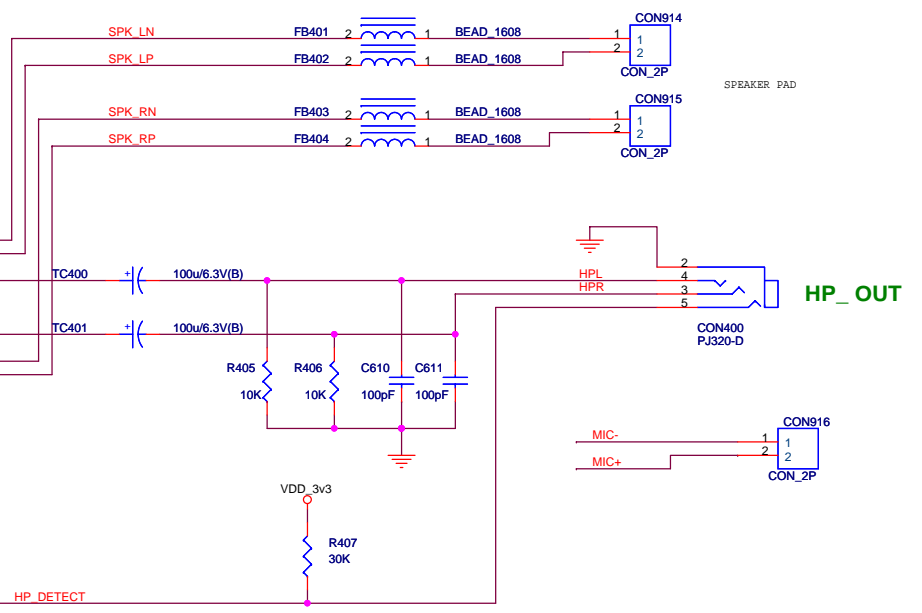
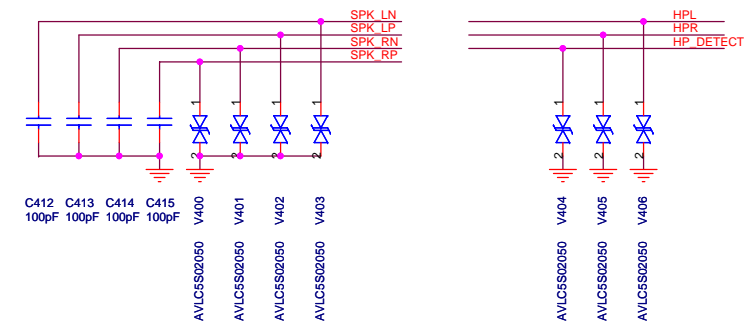
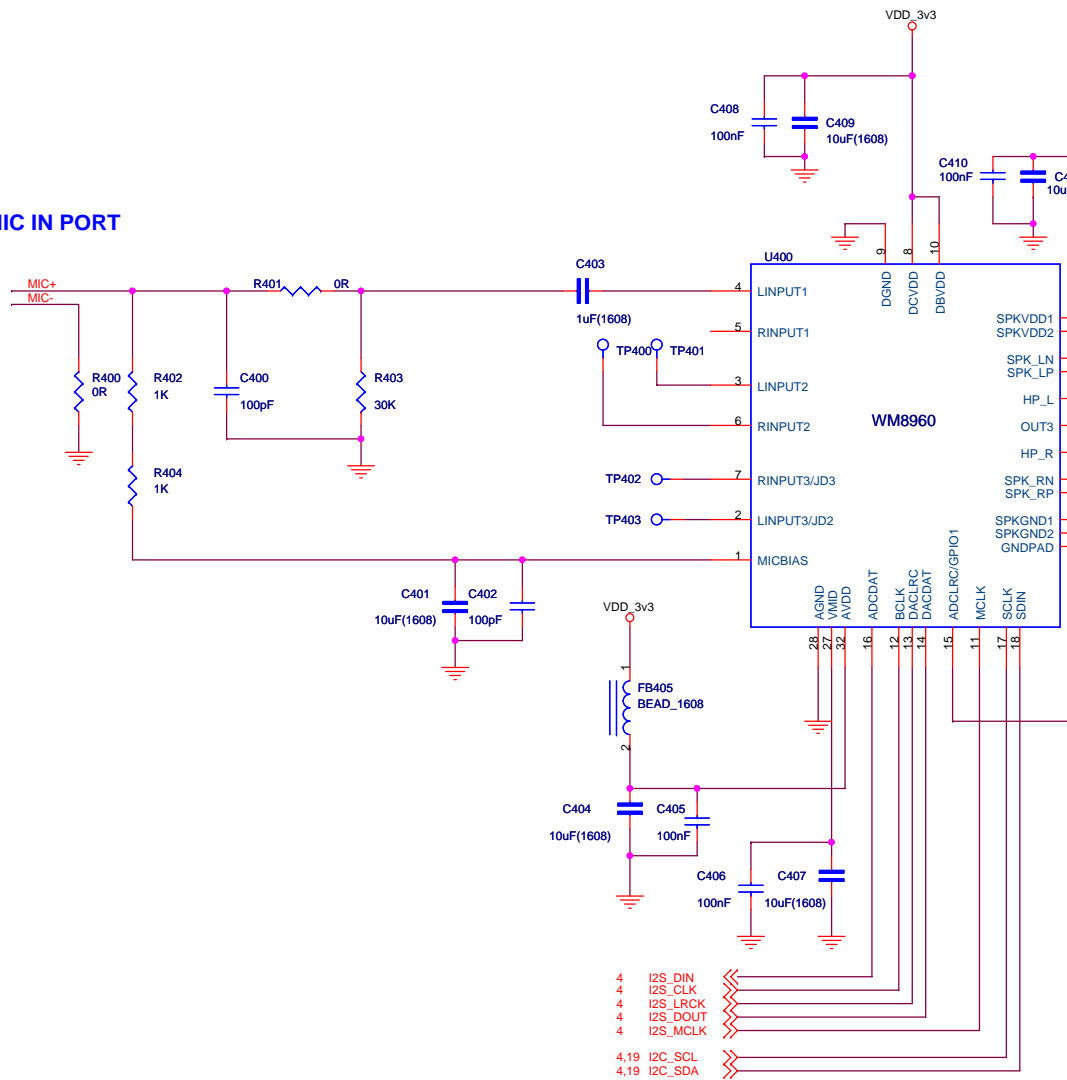


RESET



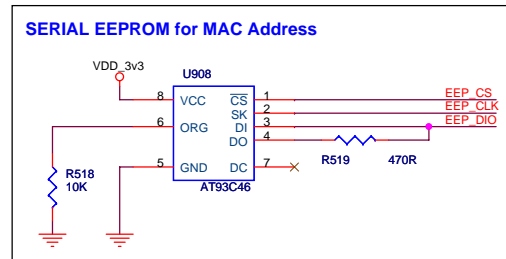
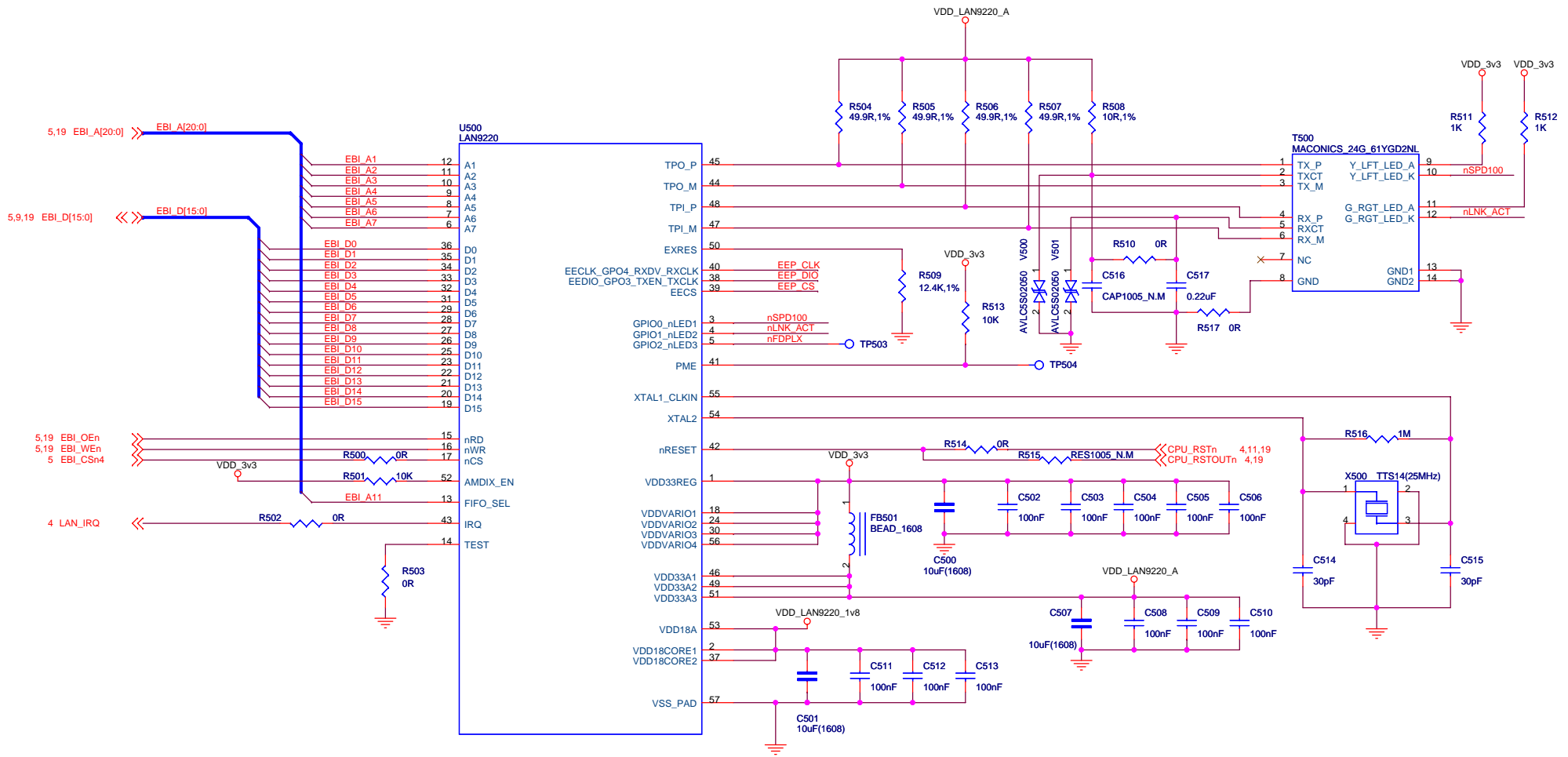
WOLFSON CODEC

MIC IN PORT



- 4 I2S_DIN
- 4 I2S_CLK
- 4 I2S_LRCK
- 4 I2S_DOUT
- 4 I2S_MCLK
- 4,19 I2C_SCL
- 4,19 I2C_SDA

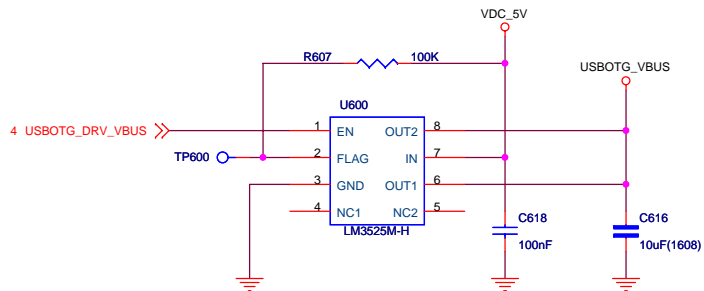
Mango100 (S5PC100 EVB)		
Title	P400-AUDIO CODEC	
Size	Document Number	Rev
A3	<Doc>	0.2
Date:	Thursday, March 04, 2010	Sheet 11 of 19



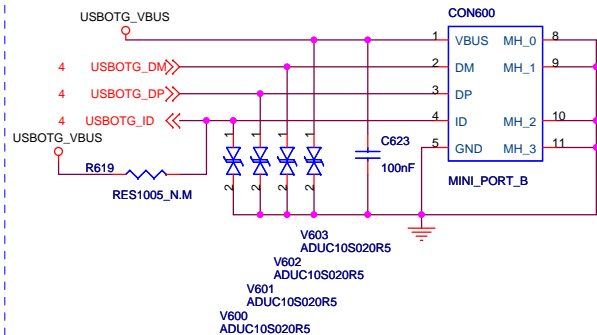
Title		
Mango100 (S5PC100 EVB)		
Size		
A3		
Document Number		
<Doc>		
Date		
Thursday, March 04, 2010		
Sheet		
12 of 19		
Rev		0.2

USB OTG

5V USB OTG POWER

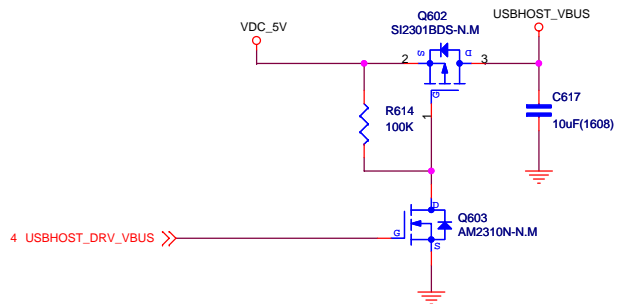


USBOTG RECEPTACLE

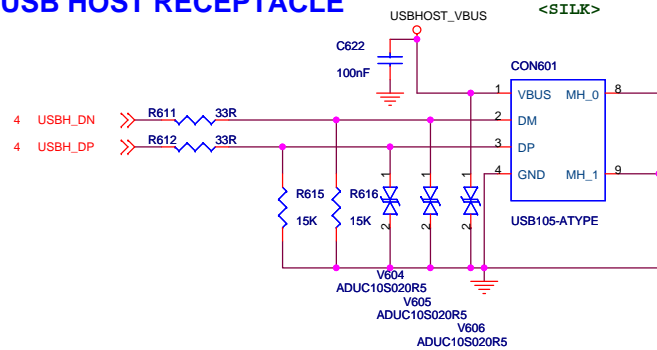


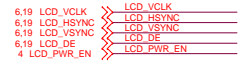
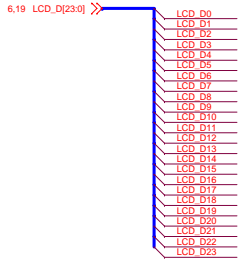
USB 1.1 HOST POWER

5V USB HOST POWER



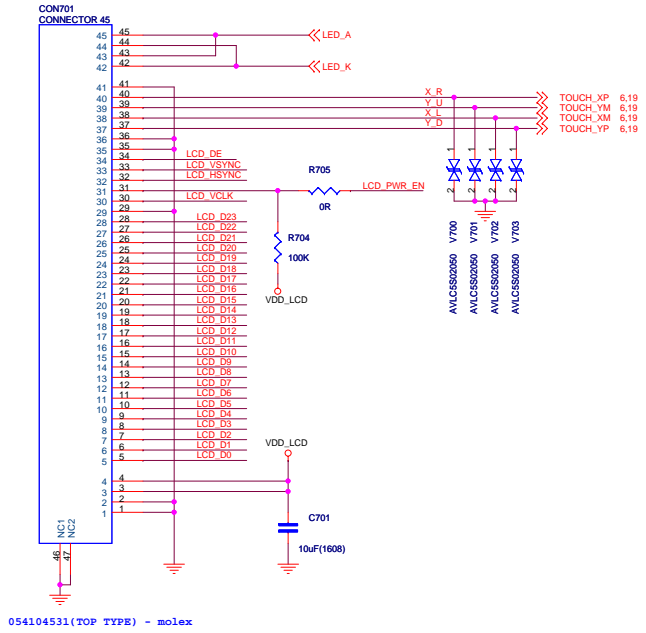
USB HOST RECEPTACLE



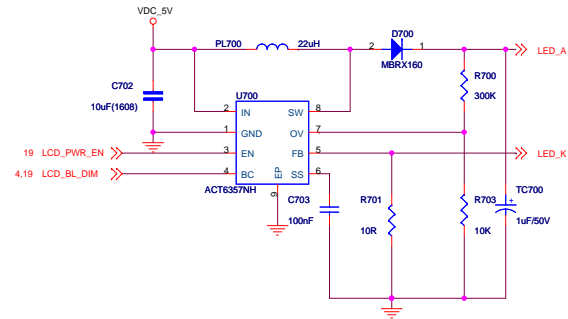


4.8" MAIN LCD CONNECTOR Samsung - LTE480WV-F01

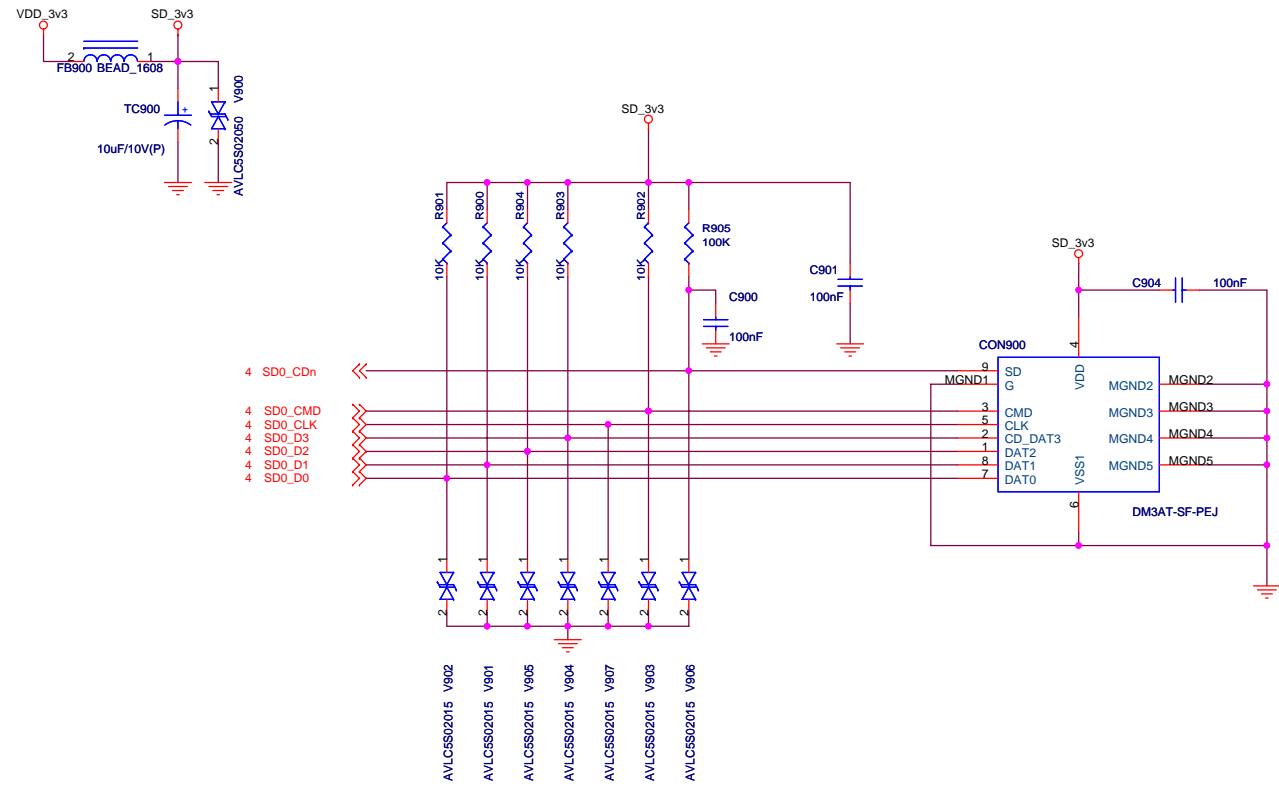
TOP TYPE



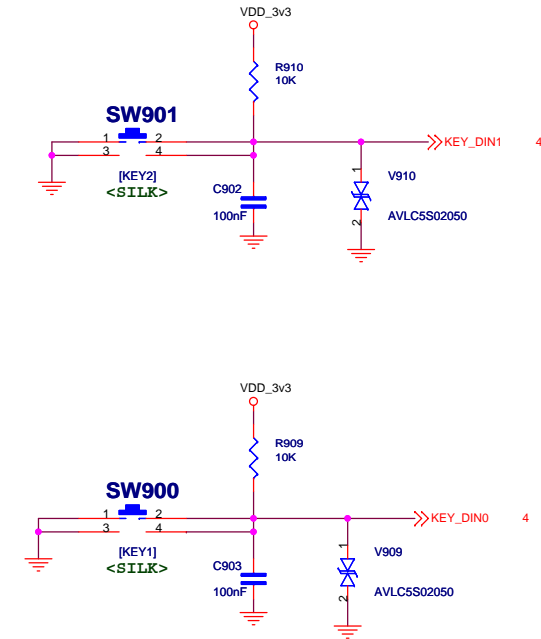
LCD BACKLIGHT DRIVER



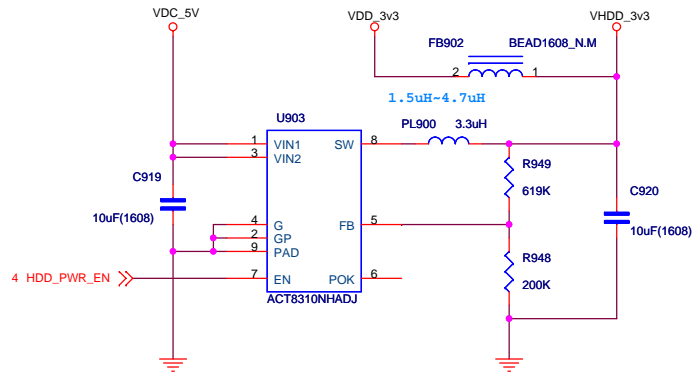
T-FLASH CARD IF



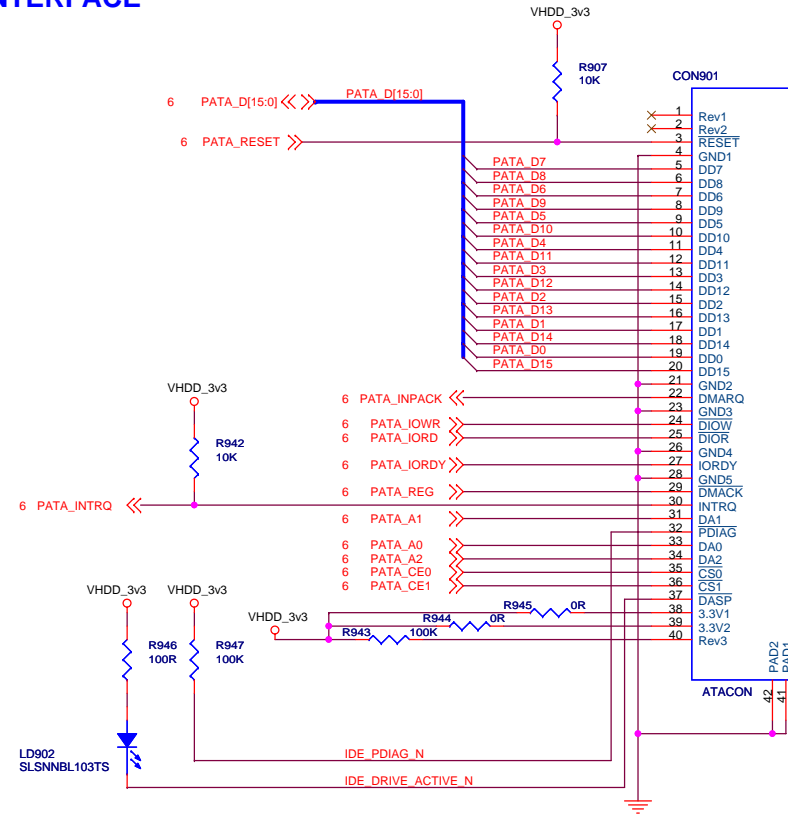
KEYS



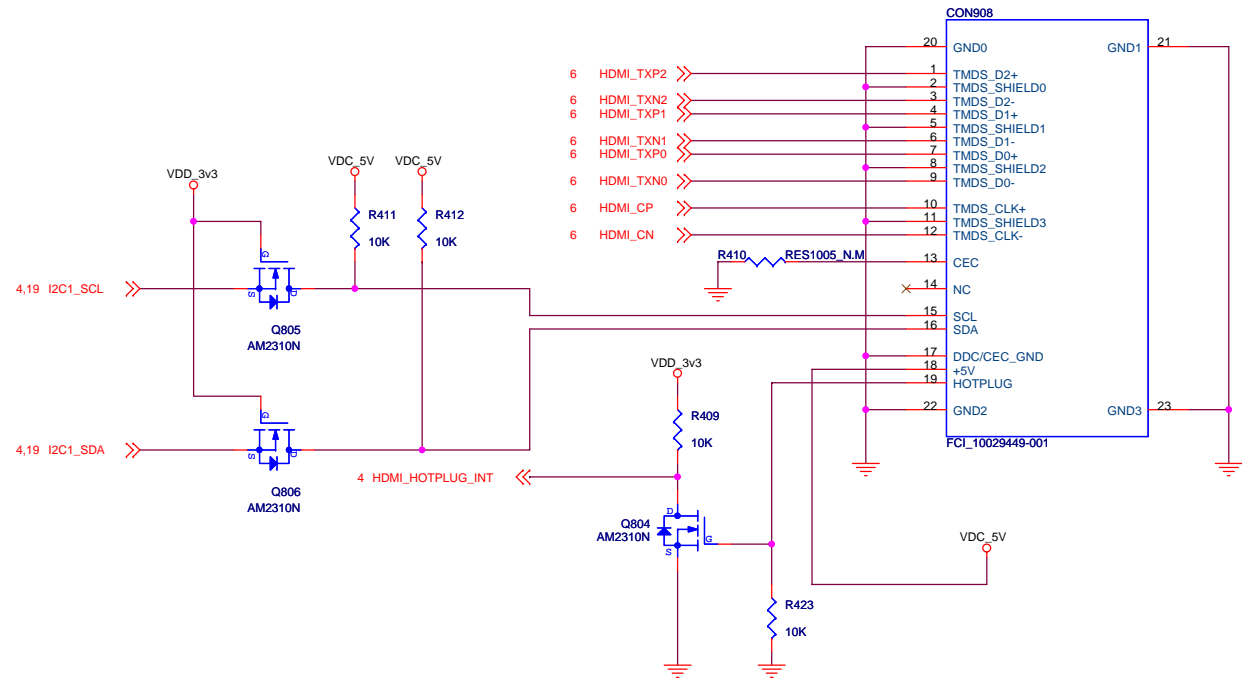
IDE POWER (3.3[V])

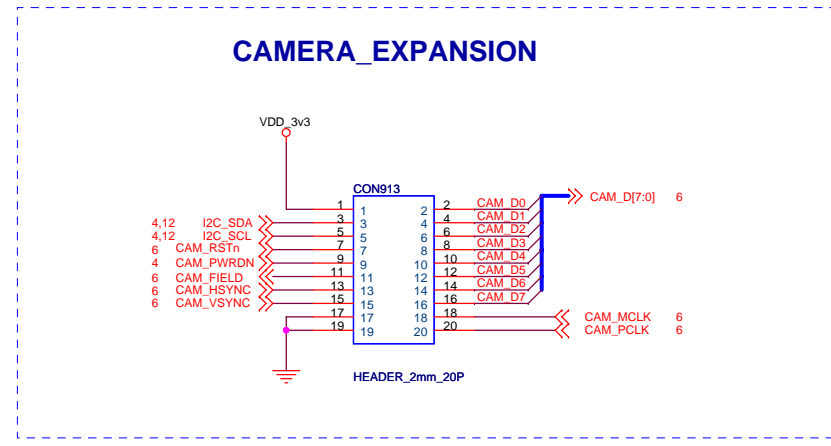
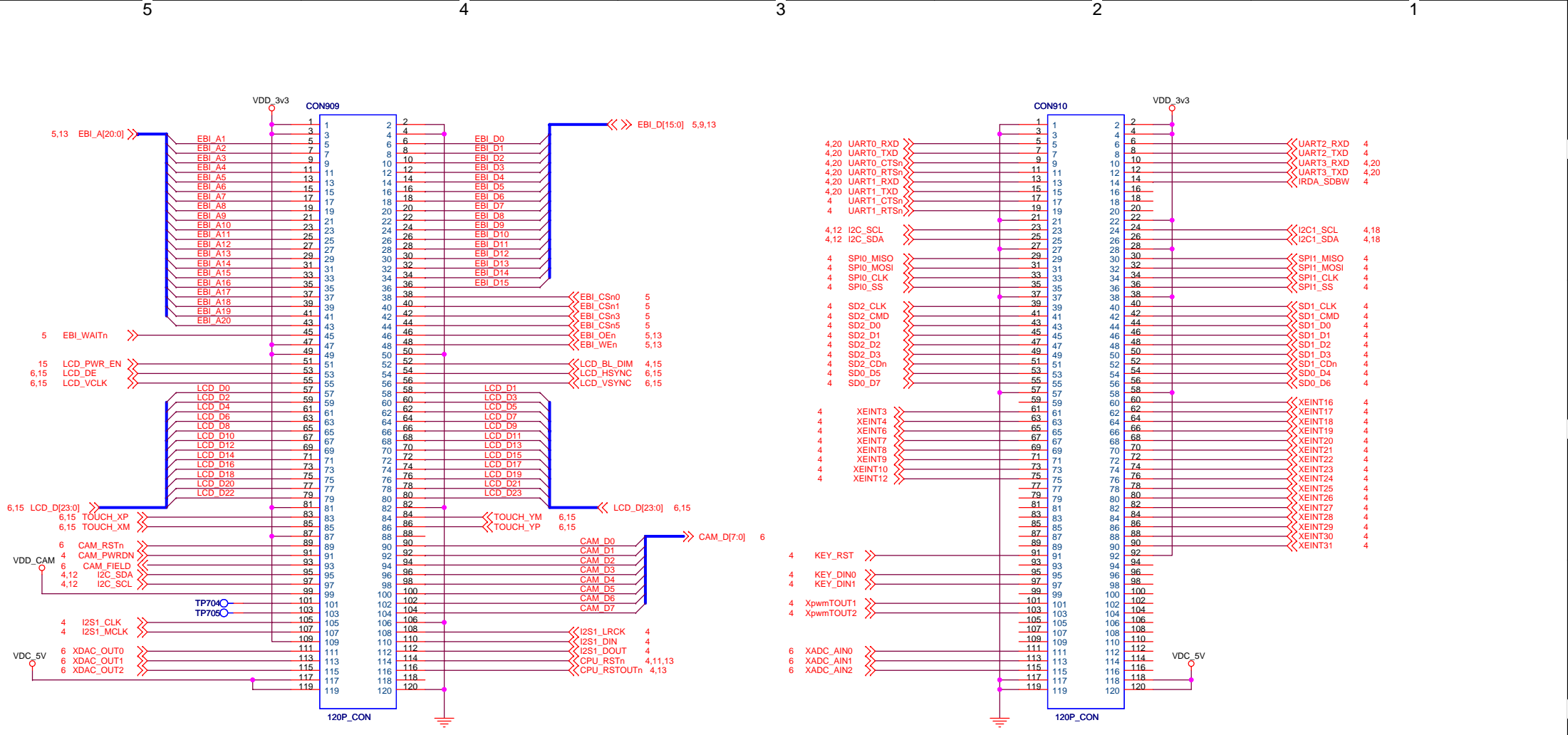


IDE INTERFACE



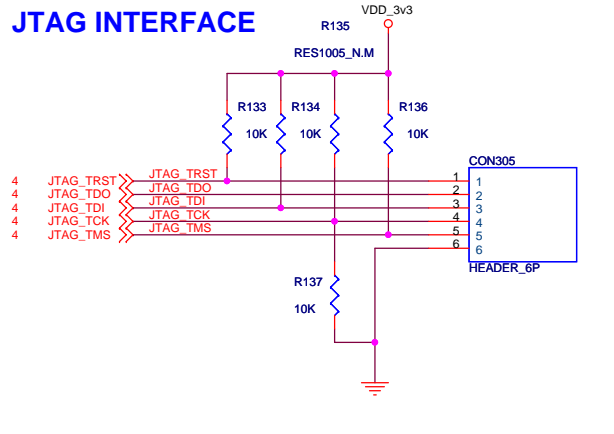
HDMI



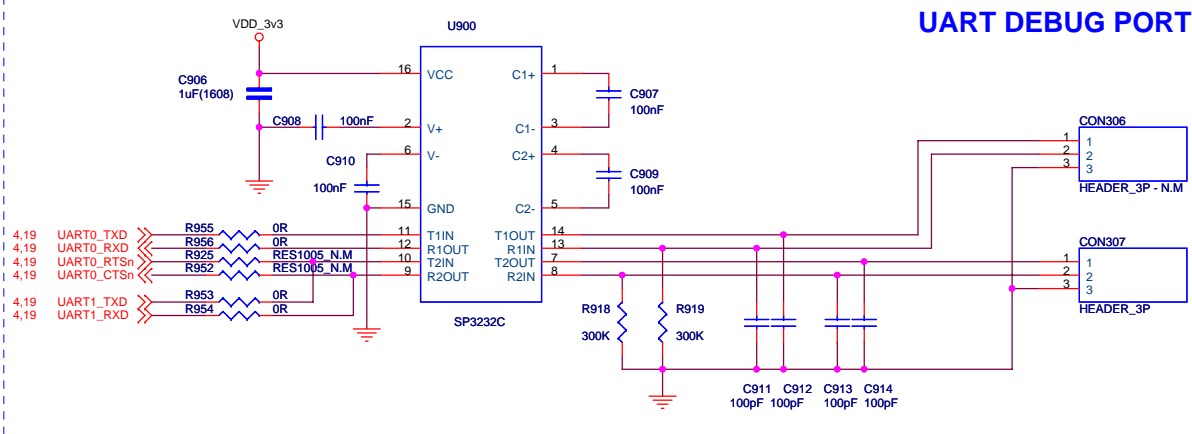


Mango100 (S5PC100 EVB)		
Title		
P903-EXPANSION CONNECTOR		
Size	Document Number	Rev
A3	<Doc>	0.2
Date:	Thursday, March 04, 2010	Sheet 18 of 19

JTAG INTERFACE



UART DEBUG PORT



USB-JTAG/SERIAL - (OPTION) NOT MOUNT

