

FP-108/DC

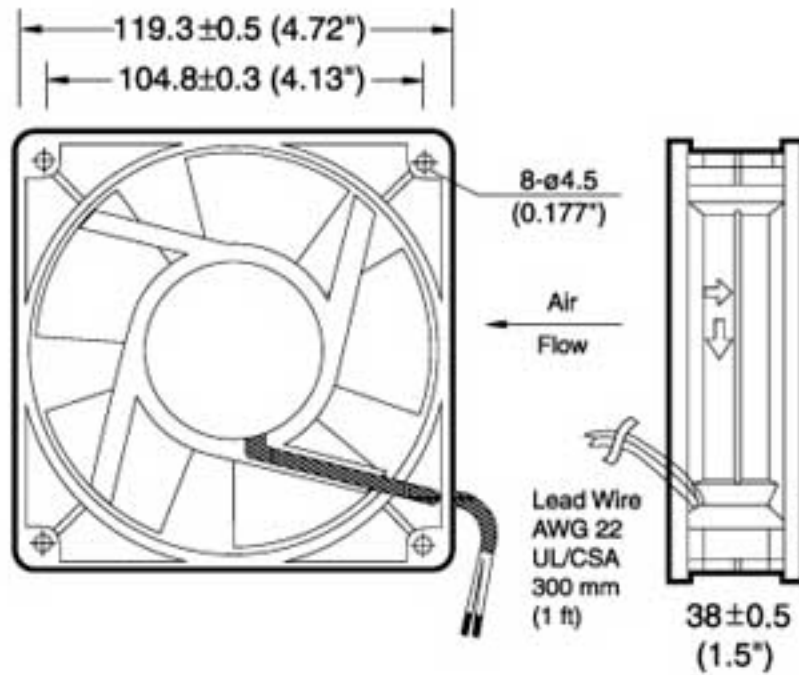
120 x 120 x 38 mm

DESIGN FEATURES

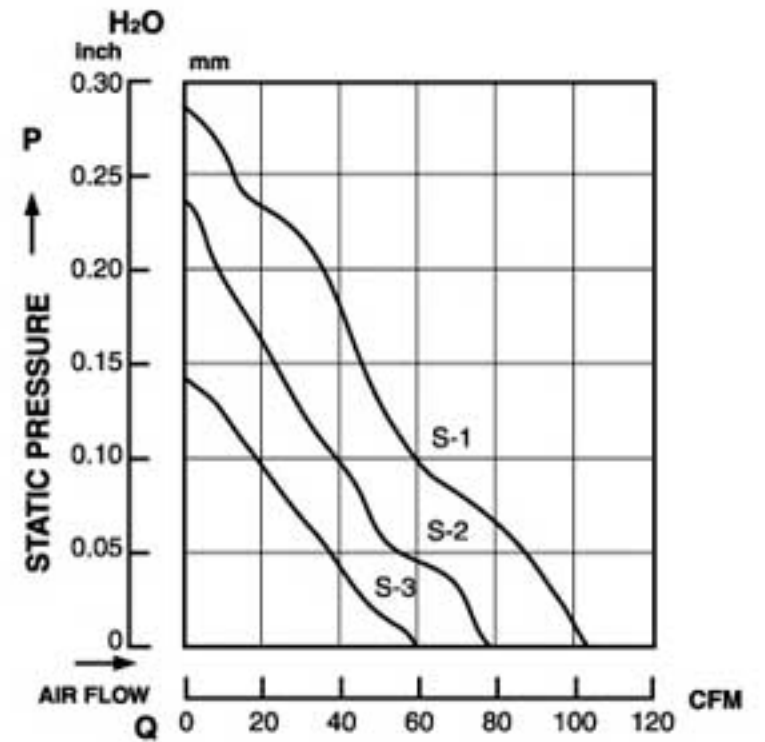
- * **Bearing System:**
Ball bearing & sleeve bearing
- * **Impeller:**
Plastic with fiber glass filed UL 94V-0
- * **Housing:**
Die cast aluminum painted black or natural color
Plastic with fiber glass filed UL 94V-0
- * **Motor:**
Brushless DC
- * **Connecting:**
Wire leads
- * **Speed:**
S-1 high speed type
S-2 medium speed type
S-3 low speed type
- * **Other Voltage:**
36,48V are available
- * **Available FG Type for Speed Sensor Signal**
- * **Available RD Type for Rotor Locked Alarm Signal**



Dimensions: mm



Performance



Specifications

MODEL NO.	VOLTAGE (VDC)	AIR (CFM)	VOLUME (M ³ /MIN)	CURRENT (A)	POWER (W)	SPEED (RPM)	STATIC PRESSURE (INCH-H ₂ O)	NOISE (dBA)
FP-108/DC (S-1)	12	105	3.00	0.60	7.00	3000	0.28	45
	24	105	3.00	0.36	8.60	3000	0.28	45
	48	105	3.00	0.28	13.44	3000	0.28	45
FP-108/DC (S-2)	12	80	2.42	0.45	5.40	2500	0.23	33
	24	80	2.42	0.28	6.72	2500	0.23	33
	48	80	2.42	0.20	9.60	2500	0.23	33
FP-108/DC (S-3)	12	60	1.70	0.28	3.36	1900	0.14	26
	24	60	1.70	0.14	3.36	1900	0.14	26
	48	60	1.70	0.13	6.24	1900	0.14	26