

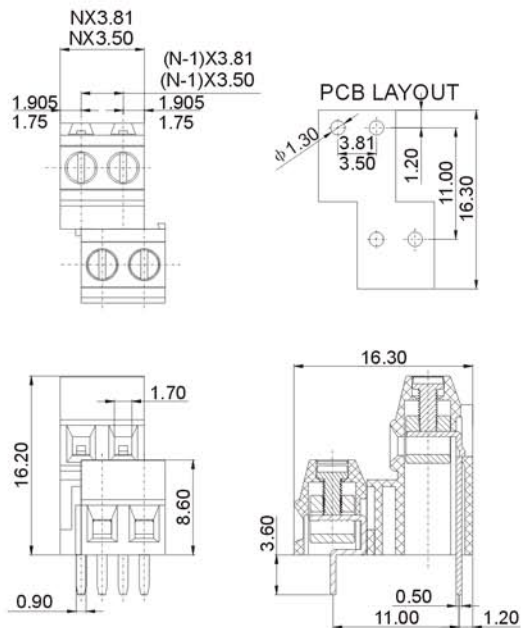


# DEGSON ELECTRONICS CO., LTD.

## Product Specification



Material	
Screws :	M2 steel Zinc plated
Pin header:	Brass, Tin plated
Housing :	PA66, UL94V-0
Electrical	
Rated voltage :	150V
Rated current :	10A
Contact resistance :	20mΩ
Insulation resistance :	5000MΩ /DC1000V
Withstanding voltage:	AC2000V/1Min
Wire range :	26-16AWG 1.5mm <sup>2</sup>
Mechanical	
Temp. Range :	-40°C~+105°C
Torque :	0.2Nm(1.7lb.in)
Strip length :	5-6mm



### HOW TO ORDER:



Series No.      No of Pole

Color

1 Gray	4 Green	7 Trans-parent
2 Blue	5 Orange	8 Yellow
3 Black	6 Red	9 White

	<b>DEGSON ELECTRONICS CO., LTD.</b>
 THIRD ANGLE    PROJECTION	<b>NAME</b> <b>DG381A-3.5</b> <b>DG381A-3.81</b>