



Speed & Technique

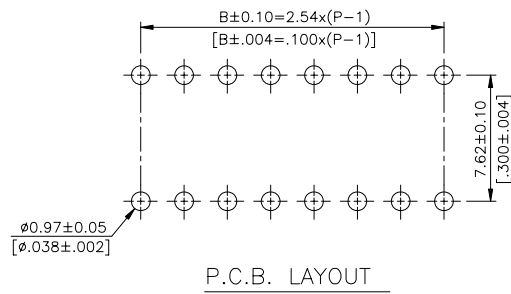
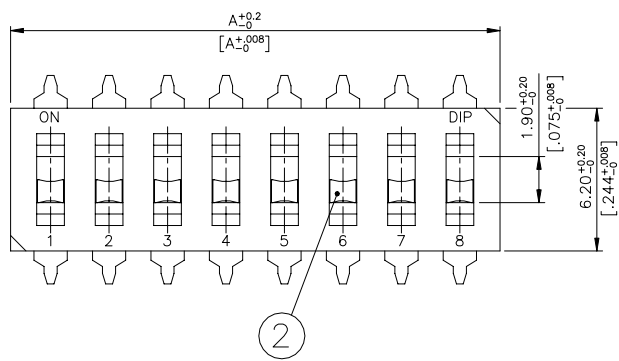
DIPTRONICS MANUFACTURING INC.

NDI(R),DM(R)&DJ(R) SERIES

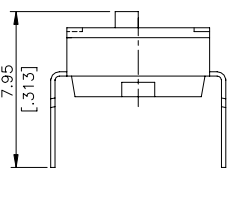
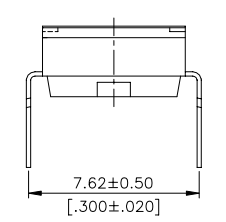
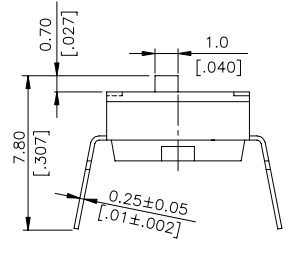
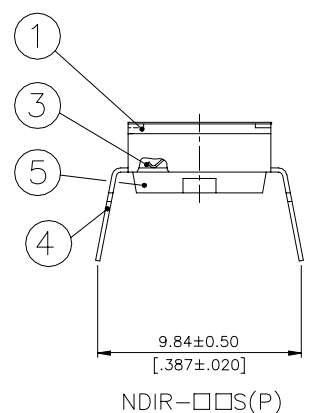
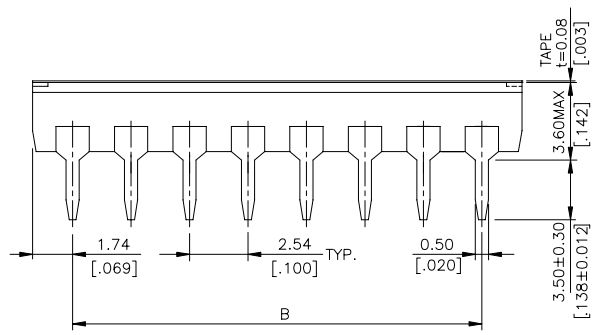
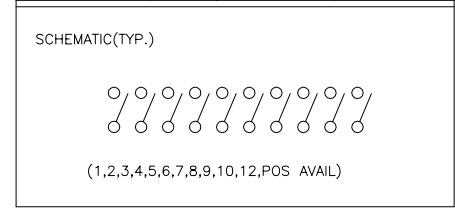


DIMENSIONS

NDI(R)

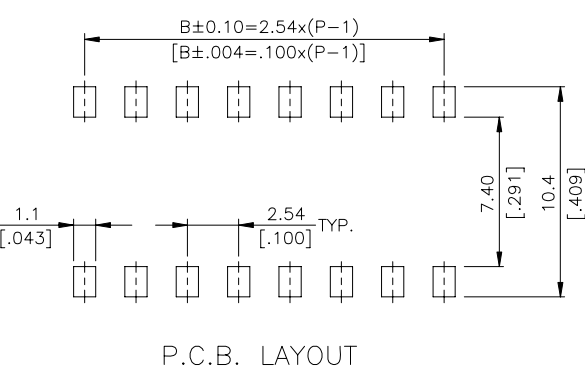
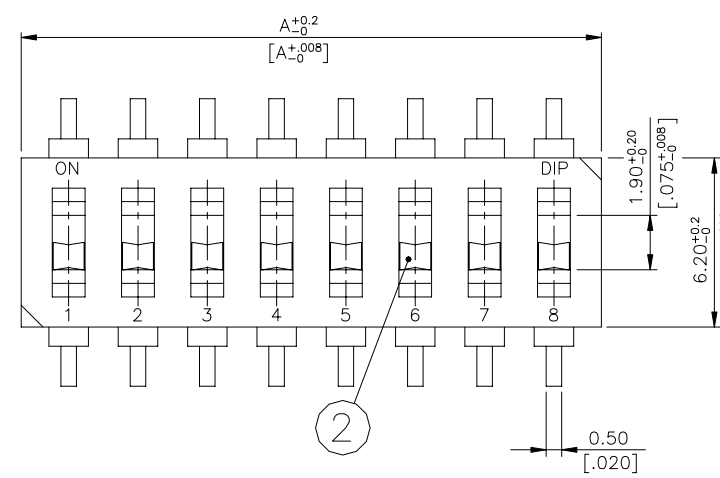


NDI -12□(P) NDIR-12□(P)	12	31.42[1.237]	27.94[1.100]
NDI -10□(P) NDIR-10□(P)	10	26.34[1.037]	22.86[.900]
NDI -09□(P) NDIR-09□(P)	9	23.80[.937]	20.32[.800]
NDI -08□(P) NDIR-08□(P)	8	21.26[.837]	17.78[.700]
NDI -07□(P) NDIR-07□(P)	7	18.72[.737]	15.24[.600]
NDI -06□(P) NDIR-06□(P)	6	16.18[.637]	12.70[.500]
NDI -05□(P) NDIR-05□(P)	5	13.64[.537]	10.16[.400]
NDI -04□(P) NDIR-04□(P)	4	11.10[.437]	7.62[.300]
NDI -03□(P) NDIR-03□(P)	3	8.56[.337]	5.08[.200]
NDI -02□(P) NDIR-02□(P)	2	6.02[.237]	2.54[.100]
NDI -01□(P) NDIR-01□(P)	1	3.48[.137]	—
PROD. NO.	NO. OF POS.	DIM. A	DIM. B

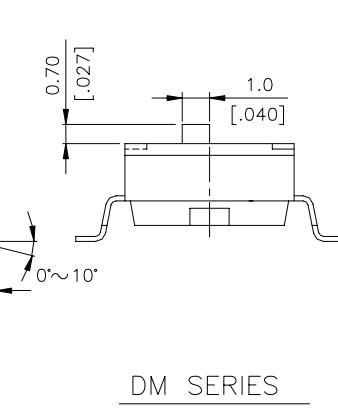
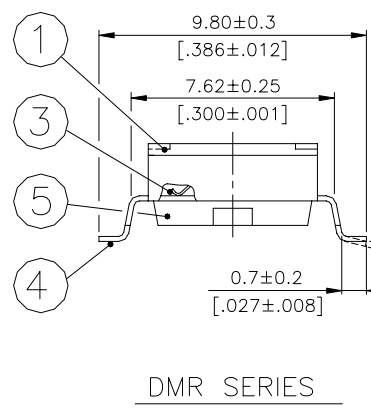
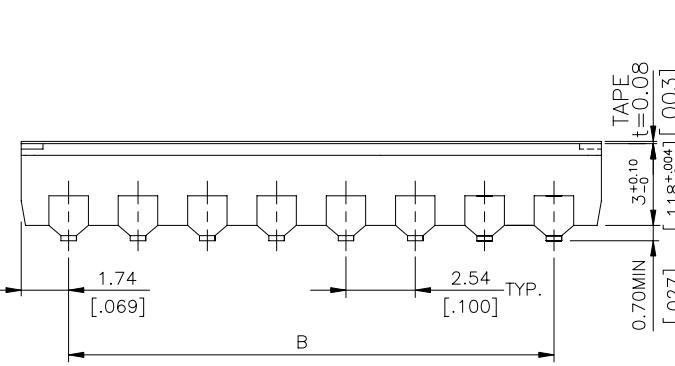
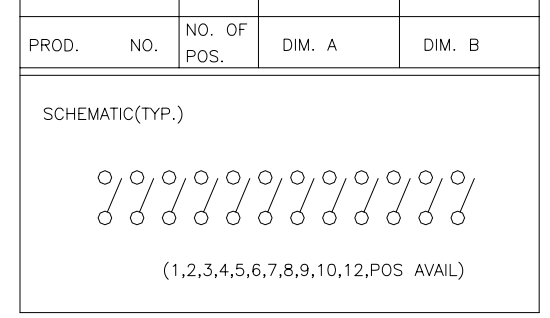


General Tolerance : ±0.2mm

DM(R)

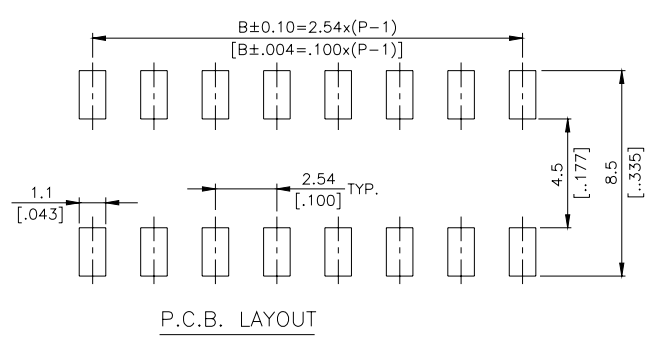
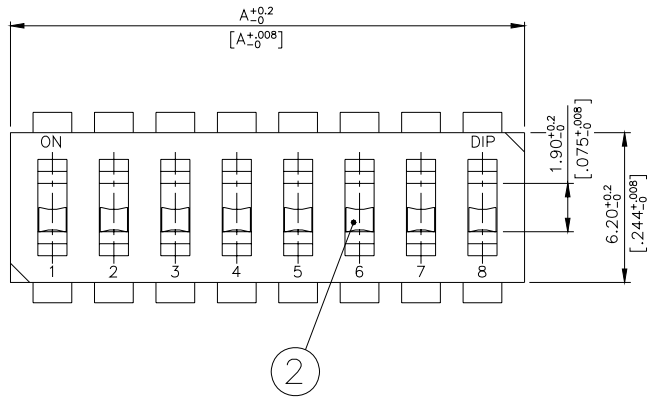


DM -12(A) (P) DMR-12(A) (P)	12	31.42[1.237]	27.94[1.100]
DM -10(A) (P) DMR-10(A) (P)	10	26.34[1.037]	22.86[.900]
DM -09(A) (P) DMR-09(A) (P)	9	23.80[.937]	20.32[.800]
DM -08(A) (P) DMR-08(A) (P)	8	21.26[.837]	17.78[.700]
DM -07(A) (P) DMR-07(A) (P)	7	18.72[.737]	15.24[.600]
DM -06(A) (P) DMR-06(A) (P)	6	16.18[.637]	12.70[.500]
DM -05(A) (P) DMR-05(A) (P)	5	13.64[.537]	10.16[.400]
DM -04(A) (P) DMR-04(A) (P)	4	11.10[.437]	7.62[.300]
DM -03(A) (P) DMR-03(A) (P)	3	8.56[.337]	5.08[.200]
DM -02(A) (P) DMR-02(A) (P)	2	6.02[.237]	2.54[.100]
—	—	—	—
PROD. NO.	NO. OF POS.	DIM. A	DIM. B



General Tolerance : ±0.2mm

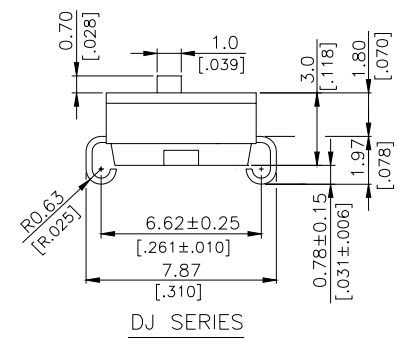
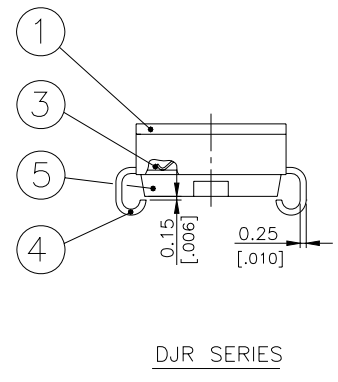
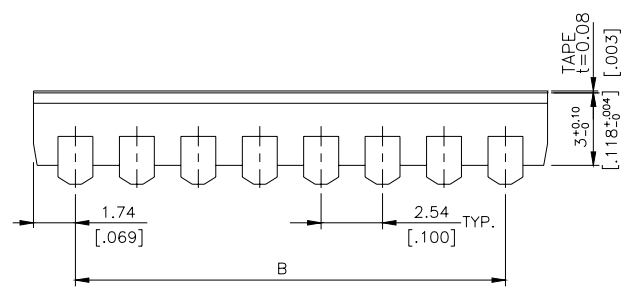
DJ(R)



DJ -12	12	31.42[1.237]	27.94[1.100]
DJR-12	12	31.42[1.237]	27.94[1.100]
DJ -10	10	26.34[1.037]	22.86[.900]
DJR-10	10	26.34[1.037]	22.86[.900]
DJ -09	9	23.80[.937]	20.32[.800]
DJR-09	9	23.80[.937]	20.32[.800]
DJ -08	8	21.26[.837]	17.78[.700]
DJR-08	8	21.26[.837]	17.78[.700]
DJ -07	7	18.72[.737]	15.24[.600]
DJR-07	7	18.72[.737]	15.24[.600]
DJ -06	6	16.18[.637]	12.70[.500]
DJR-06	6	16.18[.637]	12.70[.500]
DJ -05	5	13.64[.537]	10.16[.400]
DJR-05	5	13.64[.537]	10.16[.400]
DJ -04	4	11.10[.437]	7.62[.300]
DJR-04	4	11.10[.437]	7.62[.300]
DJ -03	3	8.56[.337]	5.08[.200]
DJR-03	3	8.56[.337]	5.08[.200]
DJ -02	2	6.02[.237]	2.54[.100]
DJR-02	2	6.02[.237]	2.54[.100]
PROD. NO.	NO. OF POS.	DIM. A	DIM. B

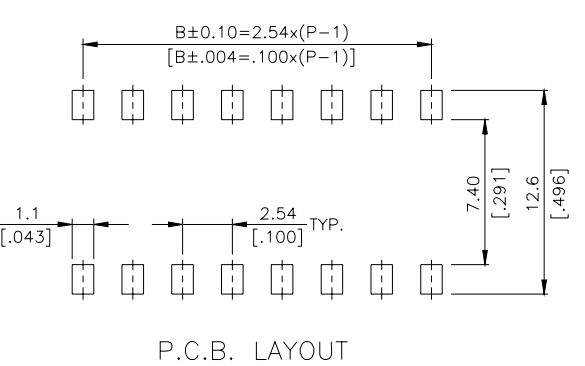
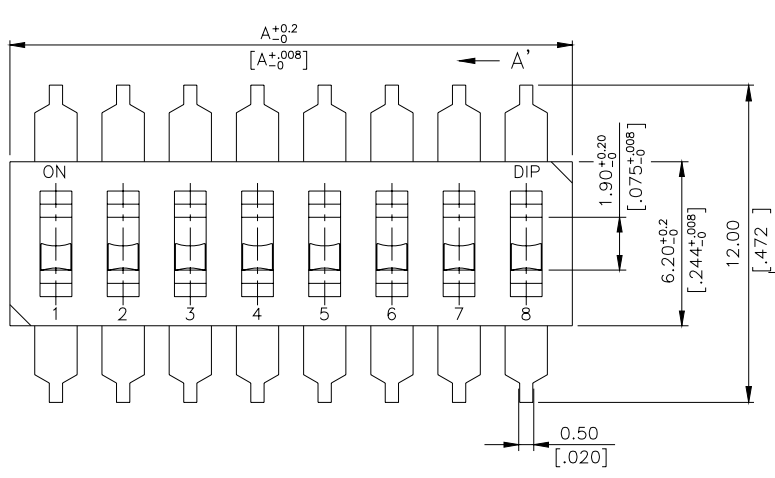
SCHMATIC(TYP.)

(1,2,3,4,5,6,7,8,9,10,12, POS AVAIL)



General Tolerance : ±0.2mm

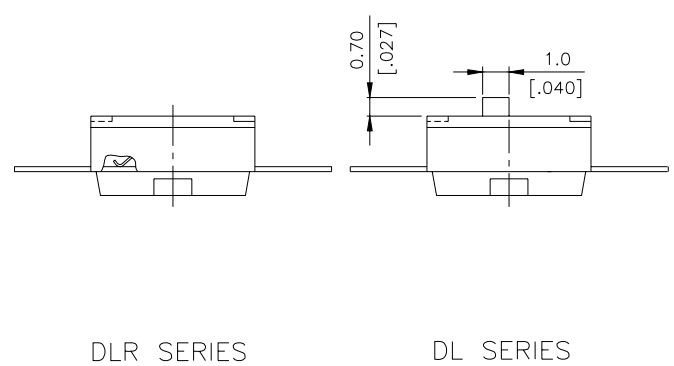
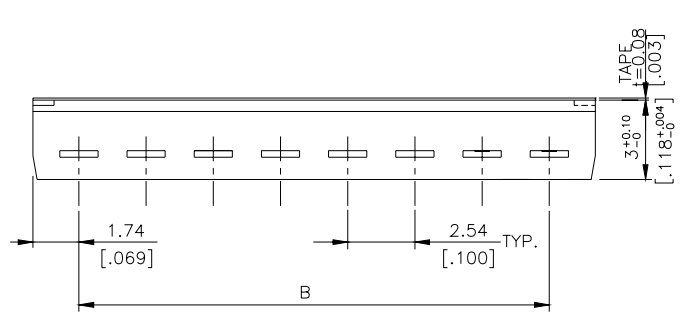
DL(R)



DL -12(A)(P)	12	31.42[1.237]	27.94[1.100]
DLR-12(A)(P)	12	31.42[1.237]	27.94[1.100]
DL -10(A)(P)	10	26.34[1.037]	22.86[.900]
DLR-10(A)(P)	10	26.34[1.037]	22.86[.900]
DL -09(A)(P)	9	23.80[.937]	20.32[.800]
DLR-09(A)(P)	9	23.80[.937]	20.32[.800]
DL -08(A)(P)	8	21.26[.837]	17.78[.700]
DLR-08(A)(P)	8	21.26[.837]	17.78[.700]
DL -07(A)(P)	7	18.72[.737]	15.24[.600]
DLR-07(A)(P)	7	18.72[.737]	15.24[.600]
DL -06(A)(P)	6	16.18[.637]	12.70[.500]
DLR-06(A)(P)	6	16.18[.637]	12.70[.500]
DL -05(A)(P)	5	13.64[.537]	10.16[.400]
DLR-05(A)(P)	5	13.64[.537]	10.16[.400]
DL -04(A)(P)	4	11.10[.437]	7.62[.300]
DLR-04(A)(P)	4	11.10[.437]	7.62[.300]
DL -03(A)(P)	3	8.56[.337]	5.08[.200]
DLR-03(A)(P)	3	8.56[.337]	5.08[.200]
DL -02(A)(P)	2	6.02[.237]	2.54[.100]
DLR-02(A)(P)	2	6.02[.237]	2.54[.100]
DL -01(A)(P)	2	3.48[.137]	
DLR-01(A)(P)	2	3.48[.137]	
PROD. NO.	NO. OF POS.	DIM. A	DIM. B

SCHMATIC(TYP.)

(1,2,3,4,5,6,7,8,9,10,12, POS AVAIL)



General Tolerance : ±0.2mm

HOW TO ORDER

□ □ □ □ - □ □ - □ - □ - □

Package Style:

□ = Tube

T/R= Tape & Reel

Soldering:

V = Lead Free Solderable

Seal:

□ = Regular

T = Top Tape Sealed <Recessed Actuator Only>

Shape of Terminal:

□ = Regular

△S = Splay Terminal

△H = Straight Terminal

△(Only for NDI(R))

Number Of Positions:

01 = 1 Position

02 = 2 Position

03 = 3 Position

04 = 4 Position

05 = 5 Position

06 = 6 Position

07 = 7 Position

08 = 8 Position

09 = 9 Position

10 = 10 Position

12 = 12 Position

Actuator Type:

□ = Raised Actuator

R = Recessed Actuator

NDI = Through Hole Type Dip Switch

DM = Gull Wing Terminal S.M.T

DJ = J Bend Terminal S.M.T

DL = Flat Terminal S.M.T

..

SPECIFICATION

△MECHANICAL

Mechanical Life: 2,000 operations per switch.

Operation Force: 1,000gf max.

Stroke: 1.0 mm

Operation Temp: -20°C to +85°C

Storage Temperature: -40°C to +85°C

△ELECTRICAL

Electrical Life: 2,000 operations min. per switch 24VDC,
25mA

Non-switching Rating: 100mA, 50VDC

Switching Rating: 25mA, 24VDC

Contact resistance: (a) 50mΩ max. at initial

(b) 100mΩ max. after life test

Insulation Resistance: 100MΩ min. 500VDC

Dielectric Strength: 500VAC/ minute

Capacitance: 5pF max.

Circuit: Single pole single throw.

MATERIAL

△BASE & COVER: UL94V-0 PPS High-Temp.
Thermoplastic, Color: Black

△ACTUATOR: UL94V-0 Nylon Thermoplastic (NDI)
UL94V-0 Nylon High-Temp Thermoplastic
(V-option only for DM(R) 、DL(R) 、DJ(R))
Color: White

△CONTACT: Alloy Copper with gold plated

△TERMINAL: Brass with gold plated

▲CONTACT PLATING: Gold plated over nickel.

▲TERMINAL PLATING: Gold plated

△TAPE : KAPTON

SOLDERING PROCESSES

For best results, please follow these recommendation:

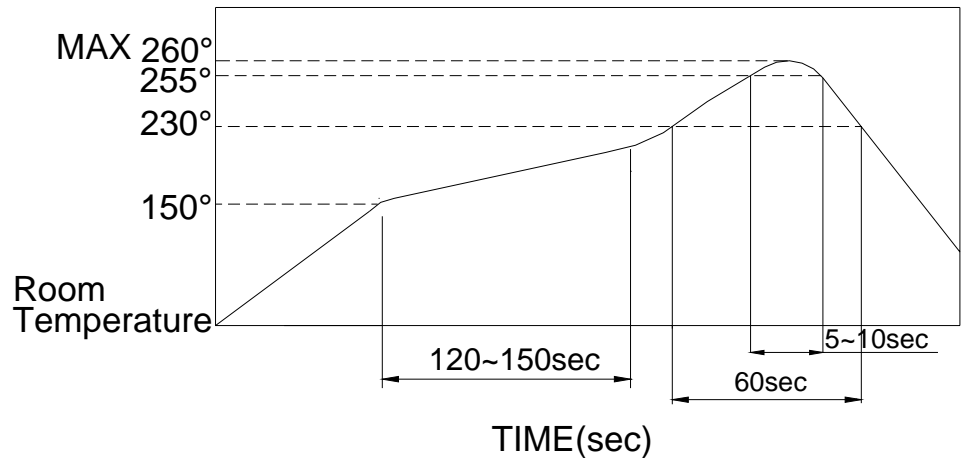
△WAVE SOLDERING: Recommended solder temperature at 500°F(260°C) max. of 5 seconds for through hole type.

△HAND SOLDERING : Use a soldering iron of 30 watts, controlled at 350°C approximately 5 seconds.

△REFLOW SOLDERING: When applying reflow soldering, the peak temperature or the reflow Oven should be set at 260°C max.

△Any flux enters the switch may fail the conductivity.

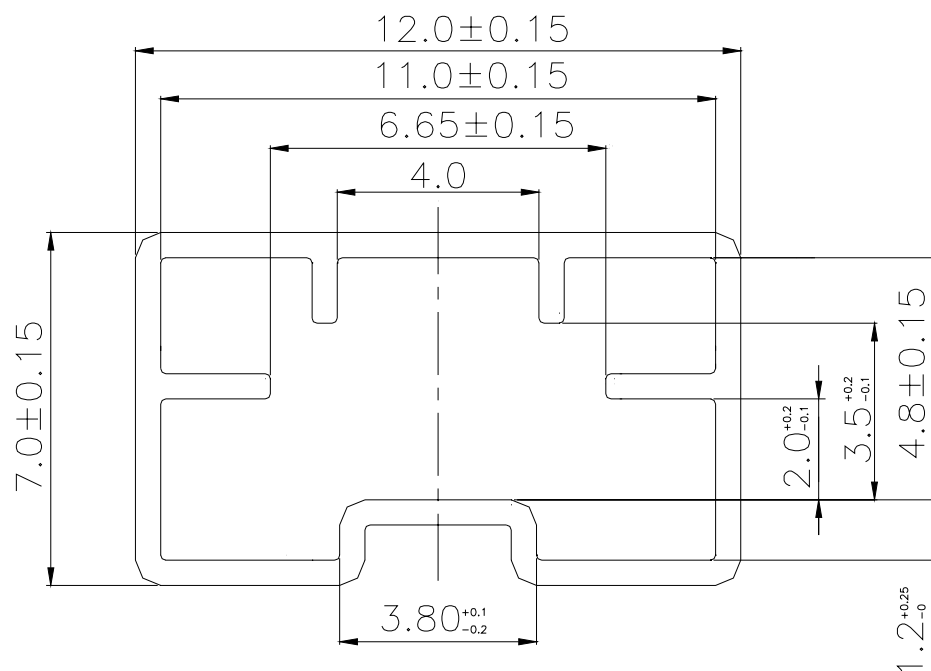
△Do not clean the switch body except top tape sealed type, which only suitable for spray cleaning method from top of the s/w.



Part Number	Number Per Tube	Part Number	Number Per Reel	Part Number	Number Per Tube	Part Number	Number Per Reel
DM(R)-01	130	DMR-01-T/R	800	NDI-01(-T)	130	DM-01-T/R	800
DM(R)-02(-T)	76	DMR-02-T-T/R	900	NDI-02(-T)	76	DM-02-T/R	700
DM(R)-03(-T)	55	DMR-03-T-T/R	900	NDI-03(-T)	55	DM-03-T/R	700
DM(R)-04(-T)	42	DMR-04-T-T/R	900	NDI-04(-T)	42	DM-04-T/R	700
DM(R)-05(-T)	35	DMR-05-T-T/R	900	NDI-05(-T)	34	DM-05-T/R	800
DM(R)-06(-T)	28	DMR-06-T-T/R	900	NDI-06(-T)	29	DM-06-T/R	700
DM(R)-07(-T)	25	DMR-07-T-T/R	900	NDI-07(-T)	25	DM-07-T/R	800
DM(R)-08(-T)	22	DMR-08-T-T/R	900	NDI-08(-T)	22	DM-08-T/R	700
DM(R)-09(-T)	20	DMR-09-T-T/R	900	NDI-09(-T)	20	DM-10-T/R	800
DM(R)-10(-T)	18	DMR-10-T-T/R	900	NDI-10(-T)	18	DM-12-T/R	700
DM(R)-12(-T)	15	DMR-12-T-T/R	900	NDI-12(-T)	15		
						DJR-□□-T-T/R	1000

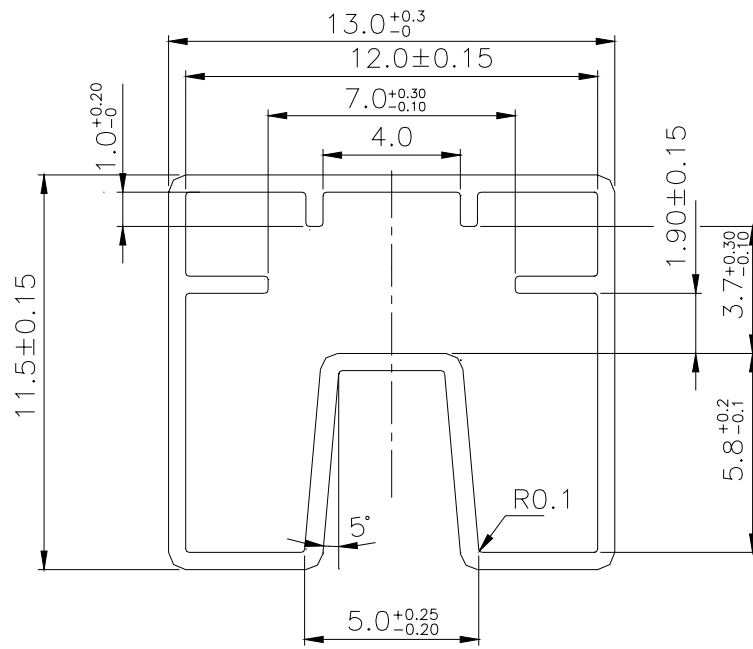
PACKING

DM(R) 、DJ(R) TUBE



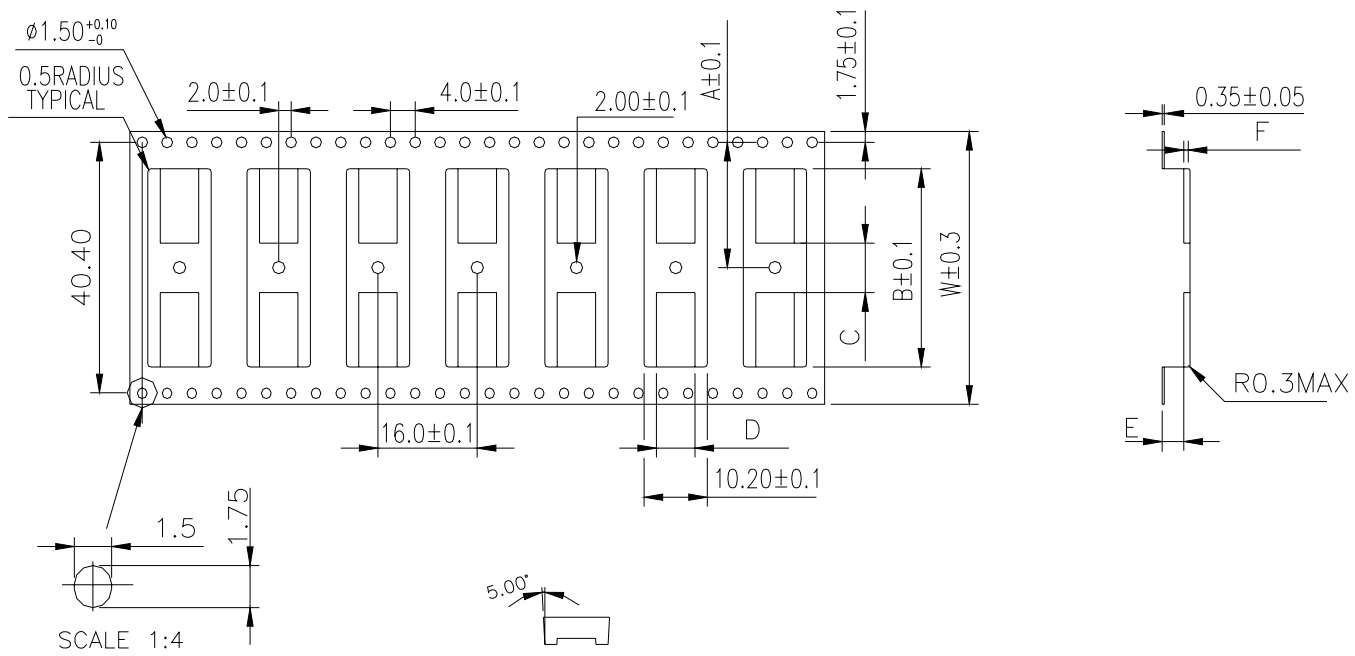
General Tolerance : ±0.2mm

NDI(R) TUBE



General Tolerance : $\pm 0.20\text{mm}$

DMR-07.10.12 REEL

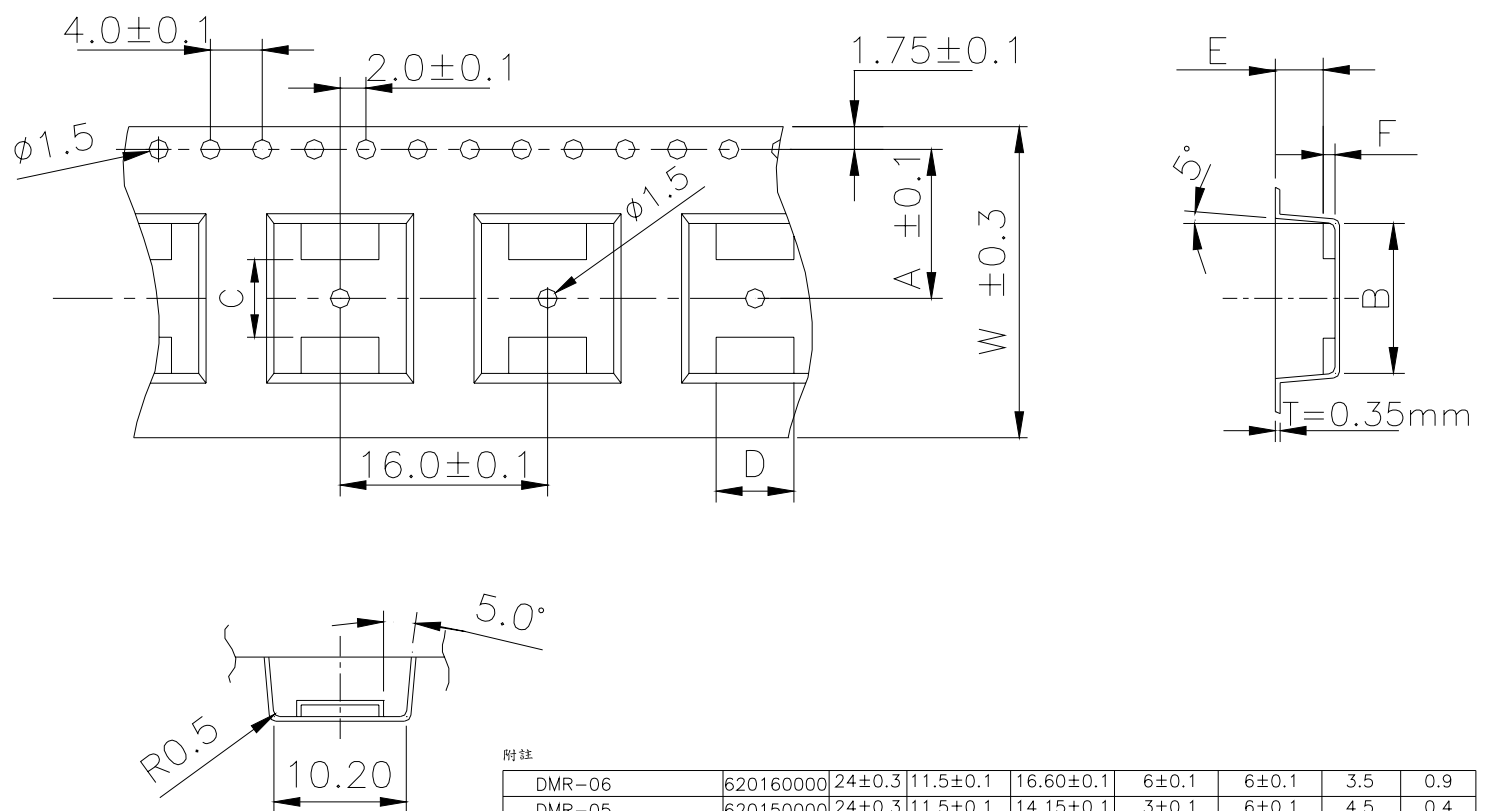


附註

DMR-12	6201C0000	44.00	20.20	32.00	8.00	6.20	3.45	1.0
DMR-10	6201A0000	44.00	20.20	26.80	5.0	6.00	4.5	0.4
DMR-07	620170000	32.00	14.20	19.20	5.00	6.00	4.5	0.4
PART NAME	PART NO.	W±0.3	A	B	C	D	E	F

General Tolerance : $\pm 0.2\text{mm}$

DMR-02~06 REEL

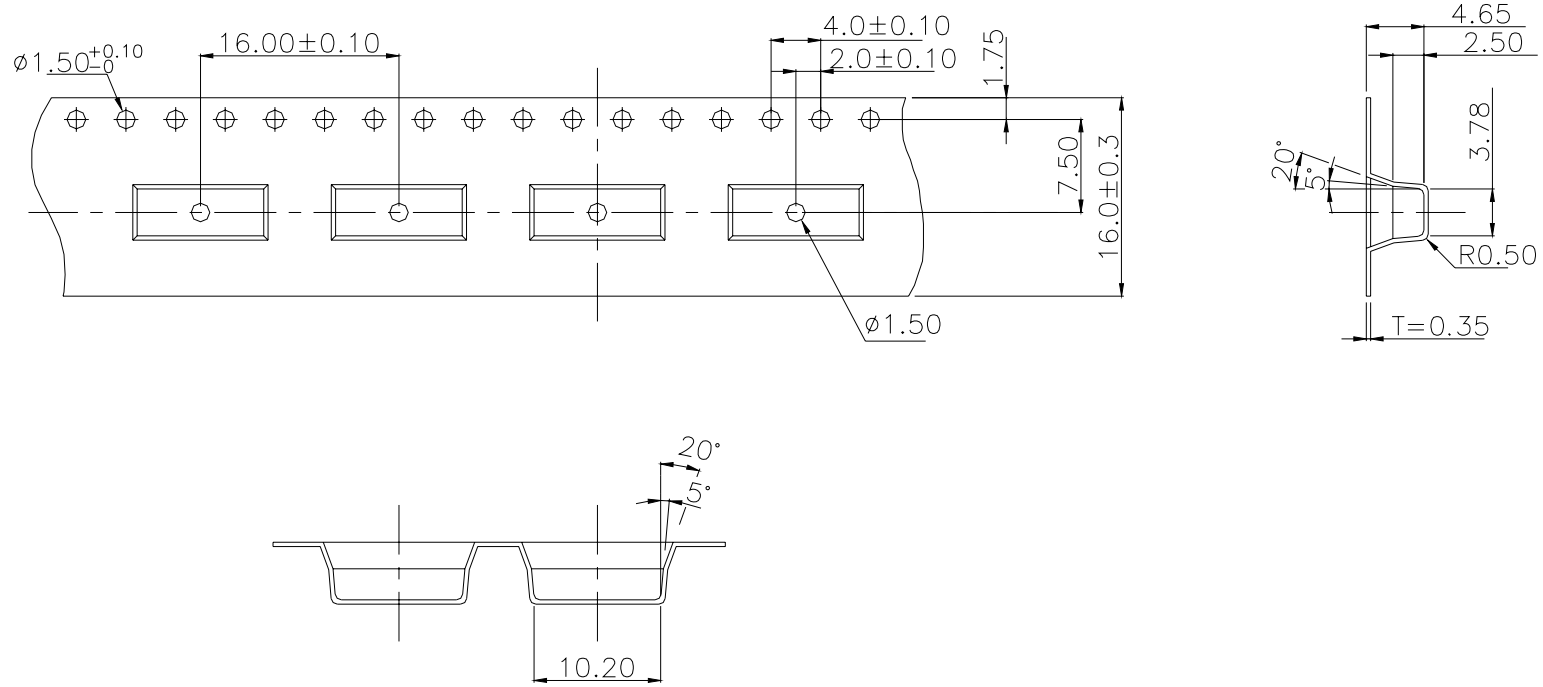


附註

DMR-06	620160000	24±0.3	11.5±0.1	16.60±0.1	6±0.1	6±0.1	3.5	0.9
DMR-05	620150000	24±0.3	11.5±0.1	14.15±0.1	3±0.1	6±0.1	4.5	0.4
DMR-04	620140000	24±0.3	11.5±0.1	11.56±0.1	6±0.1	6±0.1	3.5	0.9
DMR-03	620130000	24±0.3	11.5±0.1	9.07±0.1	3±0.1	6±0.1	4.5	0.4
DMR-02	620120000	16±0.3	7.5±0.1	6.50±0.1	3±0.1	6±0.1	3.5	0.9
PART NAME	PART NO.	W±0.3	A	B	C	D	E	F

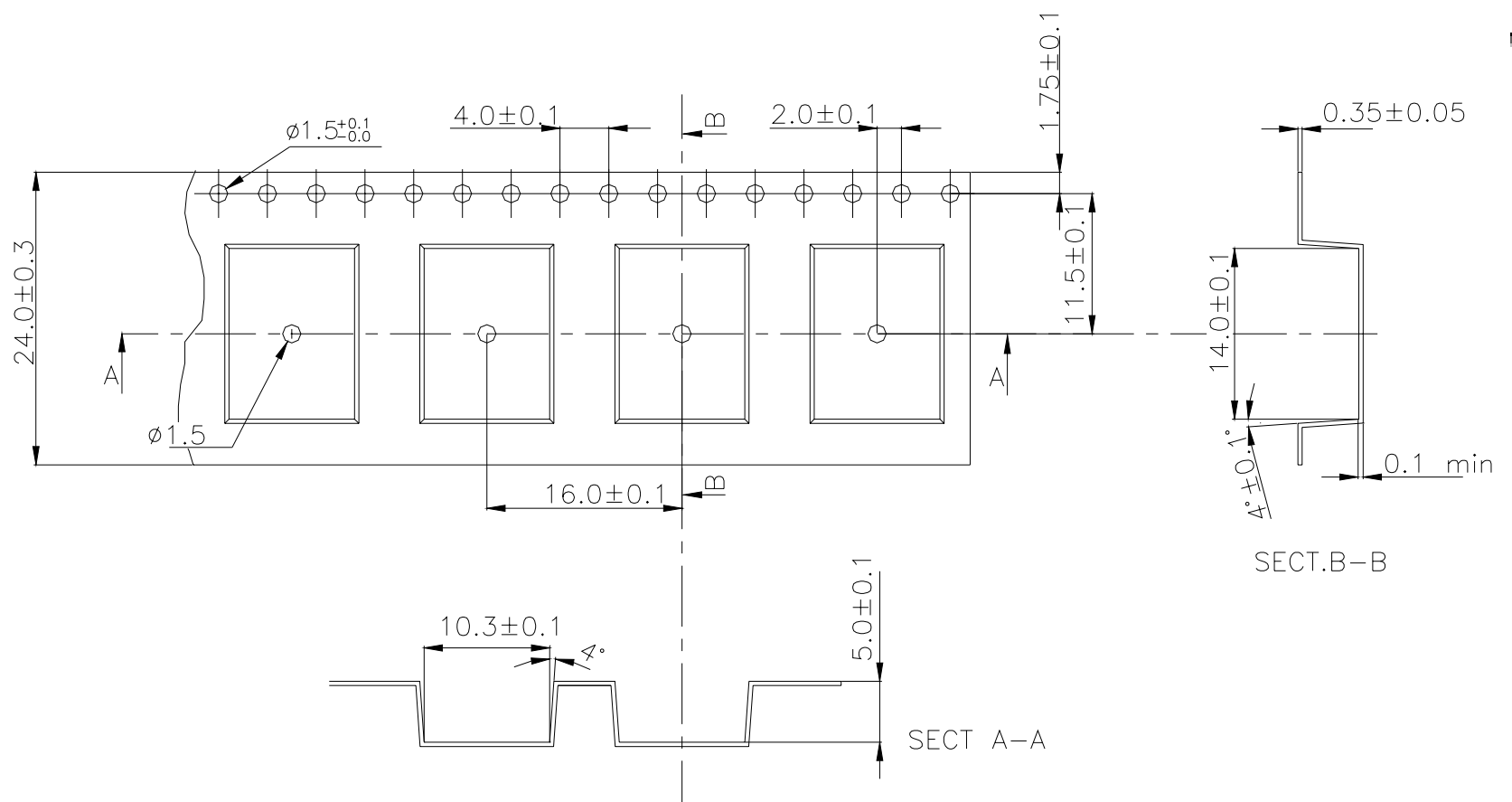
General Tolerance : $\pm 0.2\text{mm}$

DM(R)-01



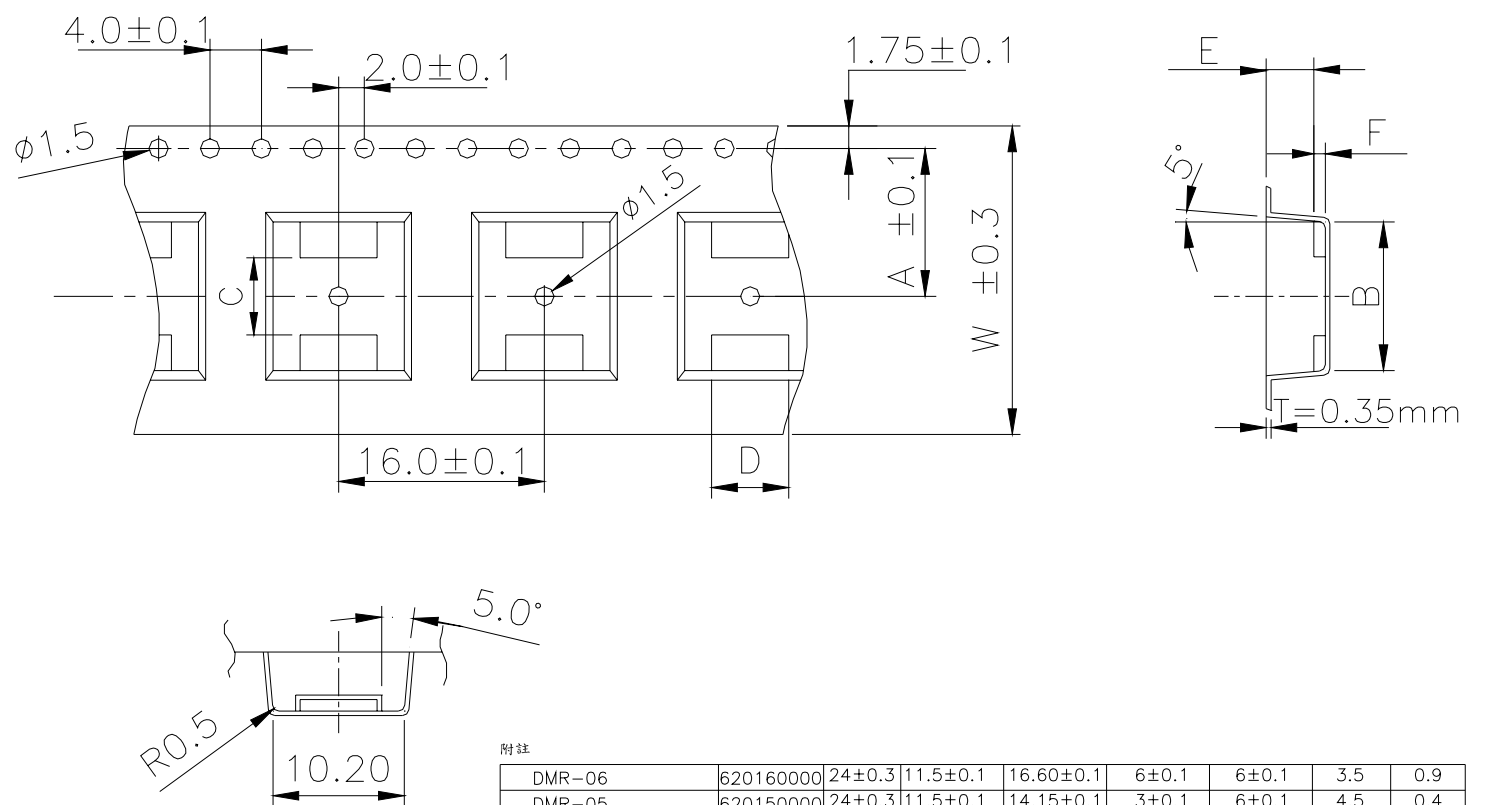
General Tolerance

DM-05 REEL



General Tolerance : ± 0.1 mm

DM-02.03.04.06 REEL

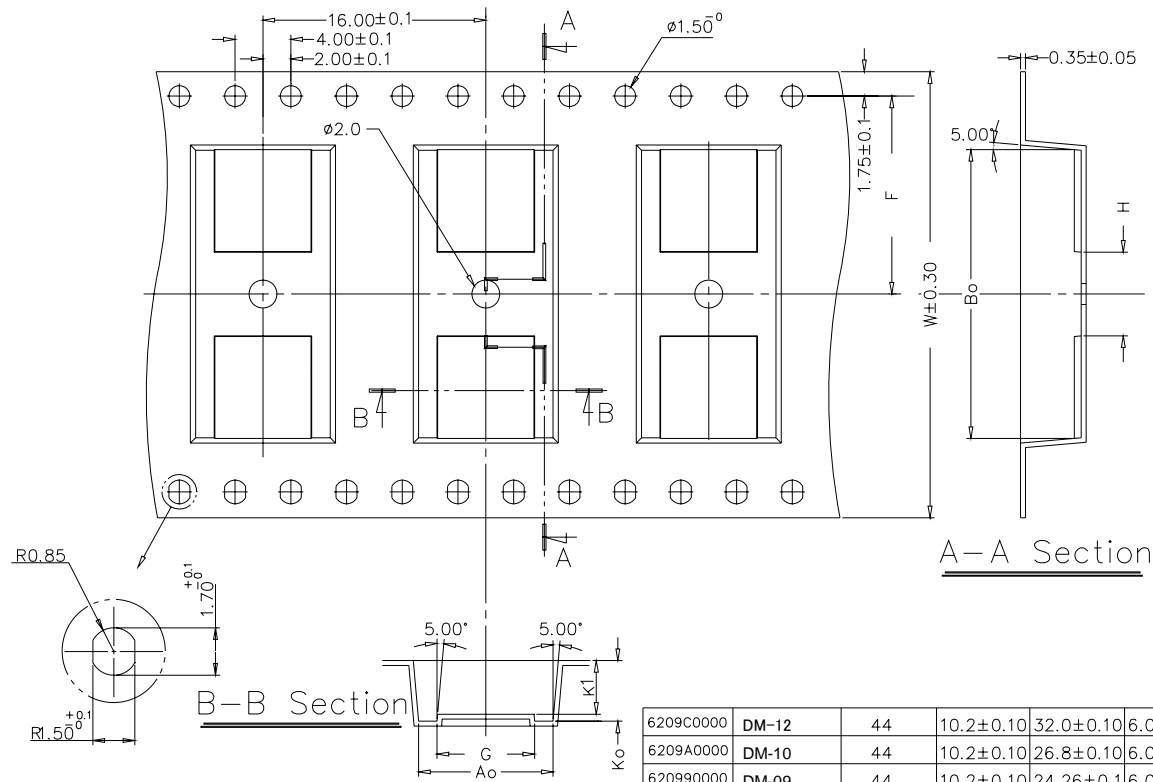


附註

PART NAME	PART NO:	W ± 0.3	A	B	C	D	E	F
DMR-06	620160000	24 ± 0.3	11.5 ± 0.1	16.60 ± 0.1	6 ± 0.1	6 ± 0.1	3.5	0.9
DMR-05	620150000	24 ± 0.3	11.5 ± 0.1	14.15 ± 0.1	3 ± 0.1	6 ± 0.1	4.5	0.4
DMR-04	620140000	24 ± 0.3	11.5 ± 0.1	11.56 ± 0.1	6 ± 0.1	6 ± 0.1	3.5	0.9
DMR-03	620130000	24 ± 0.3	11.5 ± 0.1	9.07 ± 0.1	3 ± 0.1	6 ± 0.1	4.5	0.4
DMR-02	620120000	16 ± 0.3	7.5 ± 0.1	6.50 ± 0.1	3 ± 0.1	6 ± 0.1	3.5	0.9

General Tolerance : ± 0.1 mm

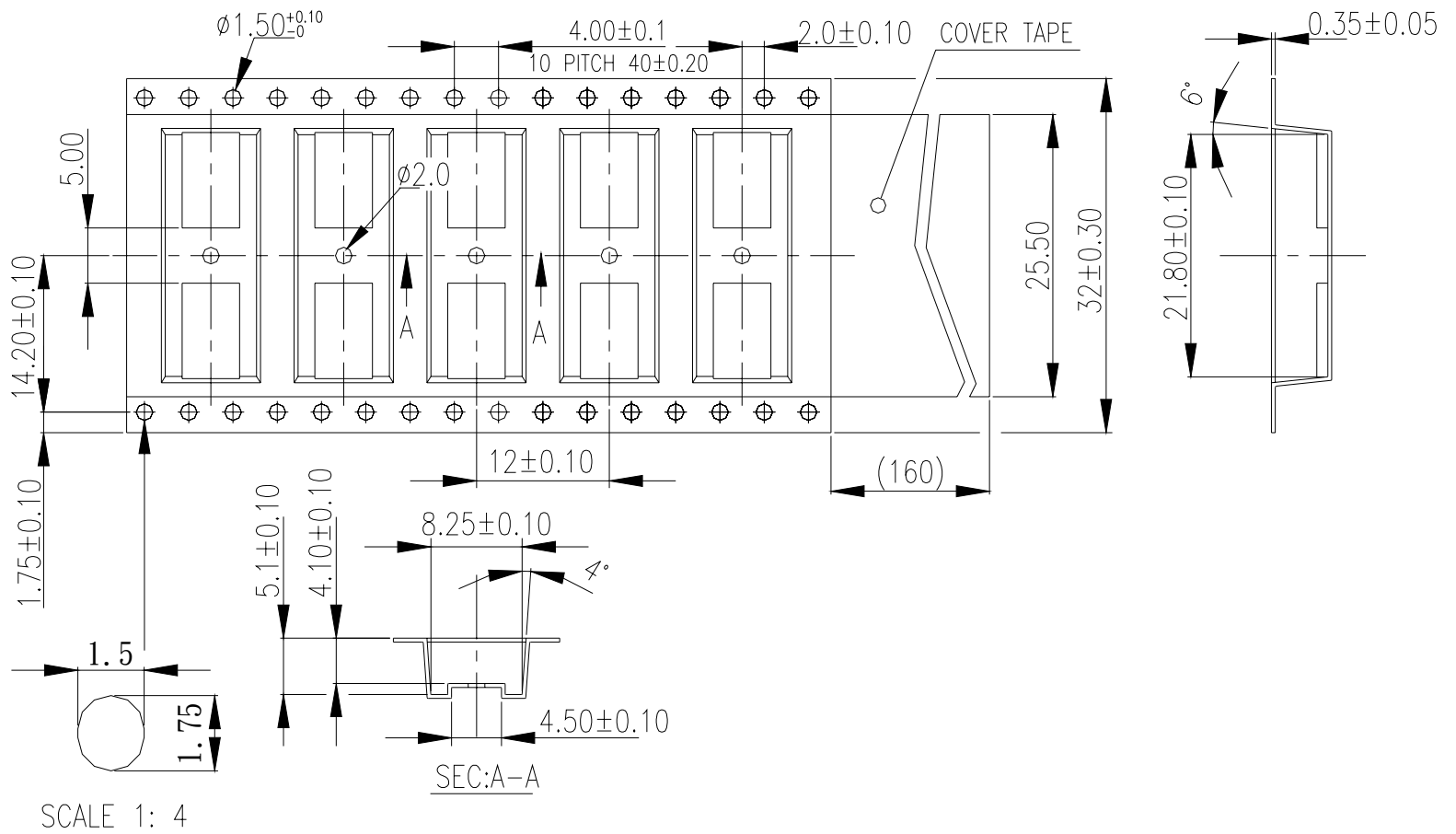
DM-07.08.09.10.12 REEL



6209C0000	DM-12	44	10.2±0.10	32.0±0.10	6.0±0.10				
6209A0000	DM-10	44	10.2±0.10	26.8±0.10	6.0±0.10	5.0±0.10	20.2±0.10	6.0	6.0
620990000	DM-09	44	10.2±0.10	24.26±0.1	6.0±0.10				
620980000	DM-08	32	10.1±0.10	21.5±0.10	5.9±0.10		14.2±0.10		
620970000	DM-07	32	10.1±0.10	19.17±0.10	5.0±0.10	4.0±0.10		6.5	5.0
PART NO	PART NAME	W±0.3mm	A0	B0	K0	K1	F	G	H

General Tolerance : ±0.1mm

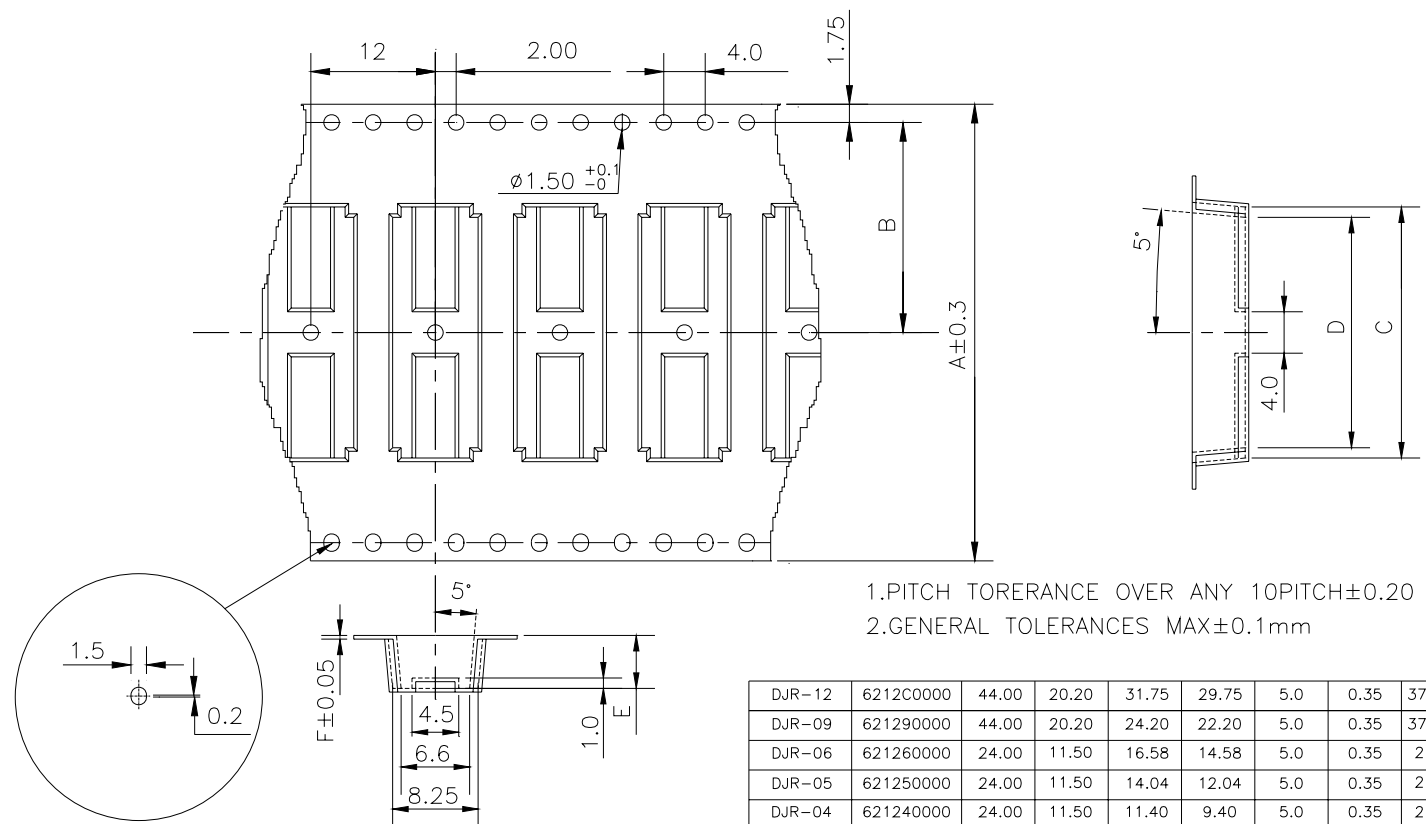
DJR-08 REEL



SCALE 1: 4

General Tolerance : ±0.1mm

DJR-02,03,04,09



W:44(雙排孔)

1.PITCH TORERANCE OVER ANY 10PITCH±0.20
2.GENERAL TOLERANCES MAX±0.1mm

DJR-12	6212C0000	44.00	20.20	31.75	29.75	5.0	0.35	37.5mm
DJR-09	621290000	44.00	20.20	24.20	22.20	5.0	0.35	37.5mm
DJR-06	621260000	24.00	11.50	16.58	14.58	5.0	0.35	21mm
DJR-05	621250000	24.00	11.50	14.04	12.04	5.0	0.35	21mm
DJR-04	621240000	24.00	11.50	11.40	9.40	5.0	0.35	21mm
DJR-03	621230000	16.00	7.50	9.00	7.00	4.5	0.35	13.3mm
PART NAME	PART NO	DIM A	DIM B	DIM C	DIM D	DIM E	DIM F	COVER

General Tolerance : ±0.1mm