

Specification Sheet

Model No. : HP6432-00-TSWG14P049-A

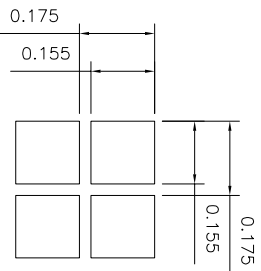
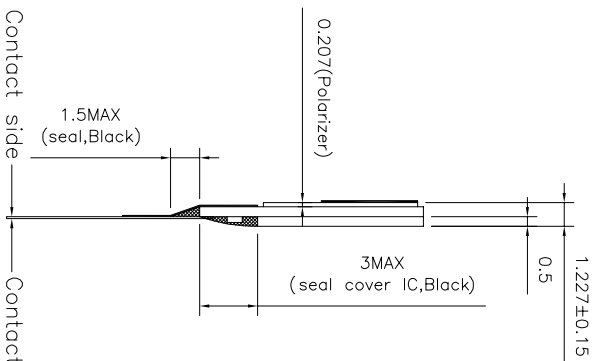
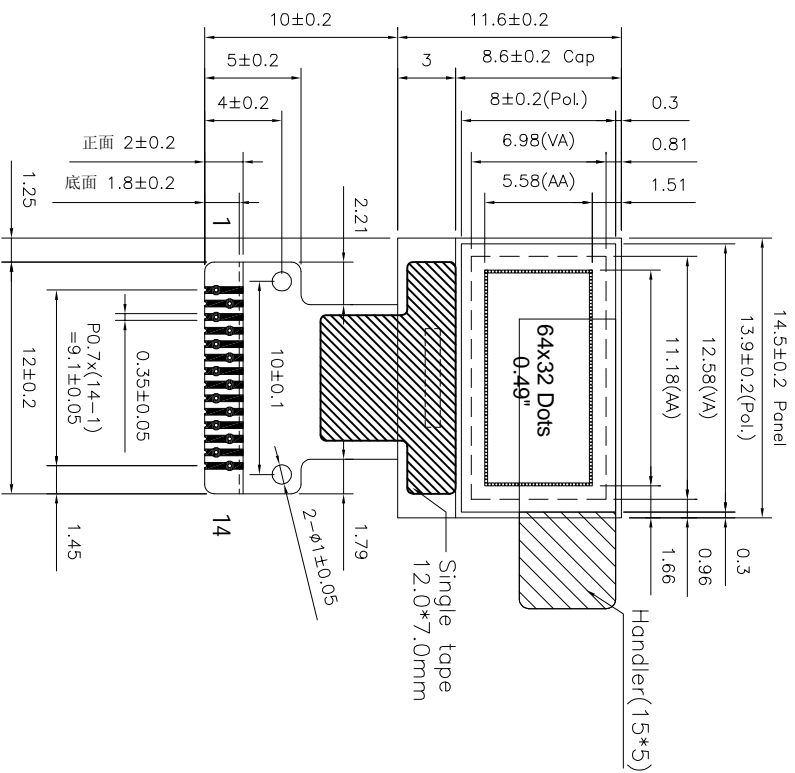
**Description : 0.49" OLED Module 64 x 32 Pixel,
SSD1306, I2C ,White Color**

All Pages Of This Edition Approved

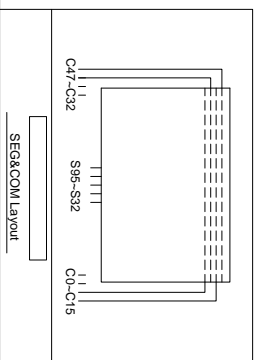
Signature: _____

Date: _____

REV.	DESCRIPTION	REVISER	DATE
A0	First	luojinwei	2017-10-12



PIN	SYMBOL
1	G2P
2	G2N
3	C1P
4	C1N
5	VBAT
6	VREF(NG)
7	VSS
8	VDD
9	RES#
10	SCL
11	SDA
12	IREF
13	VCOMH
14	VCC



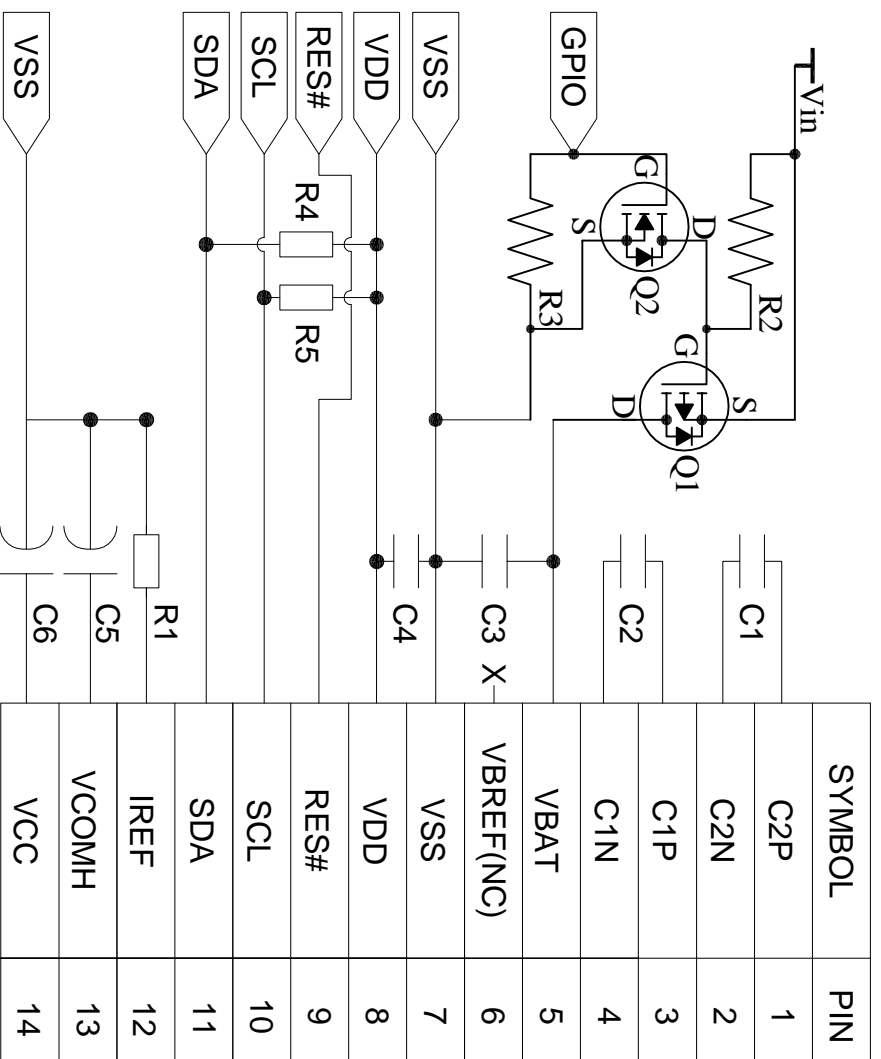
- Specifications:
1. Display : OLED(White).
 2. Dot Matrix: 64*32
 3. Dot Size: 0.155*0.155mm
 4. Dot Pitch: 0.175*0.175mm
 5. Aperture Rate: 78%
 6. Active Area : 11.18*5.58mm
 7. Drive IC: SSD1306BZ
 8. FPC P/N: FPC-HP6432-00-A0.

IcbanQ Inc.

UNSPECIFIED TOLERANCE:	±0.20	UNITS: mm	DATE:	MODEL NUMBER:	PROJECTION	SHEET:
DESIGN BY:		luojinwei	2017-10-12	HP6432-00-TSWG14P049-A		1 OF 1
CHECKED BY:						
APPROVED BY:				DO NOT SCALE THIS DRAWING.		SCALE: 1:1

2017.10.12

ksapopotnV



C1,C2,C3,C4: 1uF/16V

C5,C6: 4.7uF/25V(Tantalum type)

R1: 560K Ω \pm 1%

R2,R3: 47K Ω

Q1: FDN338P

Q2: FDN335N

R4,R5:4.7K Ω

2017.10.12