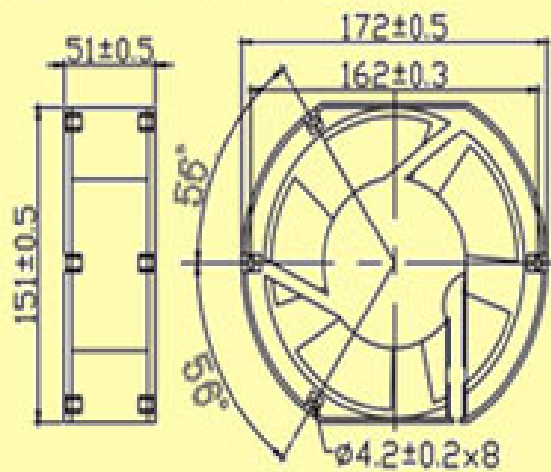


Specifications

Specifications are subject to change without notice

MODEL	BEARING	RATING VOLTAGE	FREQUENCY	RATING CURRENT	POWER CONSUMPTION	SPEED	AIR FLOW		STATIC PRESSURE	NOI
		VAC	Hz	A	W	RPM	m ³ /min	CFM	mmH ₂ O	dB
BT15050B1H BT15050S1H	Ball Sleeve	115	50/60	0.50/0.45	37/36	2700/3100	5.37/6.65	190/235	16.00/17.78	45/45
BT15050B1X-TC	Ball	115	50/60	0.22/0.23	25/27	2800/3200	5.74/6.76	203/239	17.10/18.88	51/45
BT15050B2H BT15050S2H	Ball Sleeve	220/240	50/60	0.22/0.21	34/33	2700/3100	5.37/6.65	190/235	16.00/17.78	45/45
BT15050B2X-TC	Ball	220/240	50/60	0.11/0.11	25/26	2800/3200	5.74/6.76	203/239	17.10/18.88	51/45
BT15050B3H BT15050S3H	Ball Sleeve	380	50	0.11	34	2700	5.37	190	16	45
BT15050B3X-TC	Ball	380	50	0.06	20	2800	5.74	203	17.10	51

Dimensions (mm)



Performance Curve

